

FLOAT SWITCH PUMPS

POWER : 1/7~3HP (100W~2.2kW)
MAX. HEAD : 99feet (30m)
MAX. FLOW : 1.2m³/min (72m³/min)



PMP



Quest



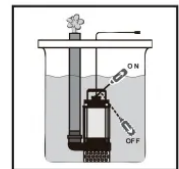
MMP



Key



W



FLOAT SPECIFICATIONS

Model	Material		Maximum Pump Current Running	Limits Of Use		Protection	Certified
	Float	Cable		Voltage	Temp		
MMP	PP	SJOW	13	250V	60°C(140°F)	IP68	UL&CSA
PMP	PVC	SJOW	15	230V	60°C(140°F)	IP68	UL&CSA
Quest	PP	H07RN-F	10(8)	250V	50°C(122°F)	IP68	CE
Key	PP	H07RN-F	10(4)	250V	50°C(122°F)	IP68	CE
W	PP	H07RN-F	20(8)	250V	50°C(122°F)	IP68	CE

The pumps are equipped with wide angle on / off level control float switch for easy and simple automatic operation.

FLOAT SWITCH PUMPS MODELS

For more details please find technical pages in the front.

Model	Power	Float Switch 1Ø	Float Switch 3Ø	Optional
Quest	100~150Watts	O	X	
	0.5~1.5HP	O	O	
	2~3HP	X	O	
PMP	2~3HP	O	X	
MMP	0.5~1.5HP	O	X	UL Certified (US specifications)
W	100~150Watts 0.5~1HP	O	X	FV Vertical type (Dry Motor)

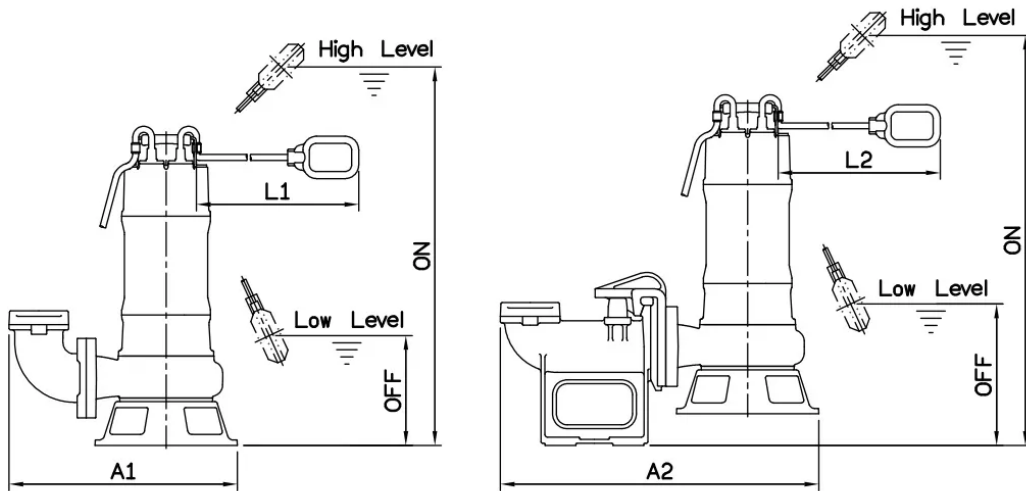
DIMENSIONS

NO: SOAF00000F-01

Float Switch Pumps Model

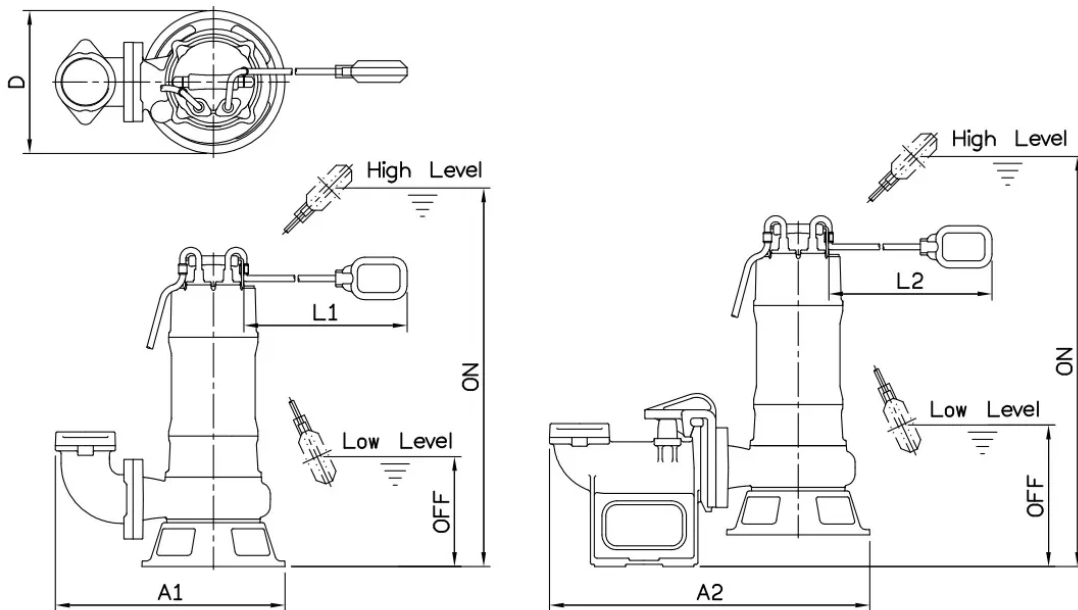
50Hz

C:V



Model	Pump Only										With GRS											
	Dimensions-mm					Weight-kg		Dimensions-inch					Weight-lb		Dimensions-mm				Dimensions-inch			
	C.	A	L	ON	OFF	WT1	WT2	A	L	ON	OFF	WT1	WT2	A	L	ON	OFF	A	L	ON	OFF	
50AFU2.4 F 1Ø	V	235	380	560	230	19.5	0.5	9 ³ / ₄	14 ¹ / ₈	22 ¹ / ₈	9 ³ / ₈	43	1	415	380	580	250	16 ¹ / ₈	14 ¹ / ₈	22 ¹ / ₈	9 ³ / ₈	
50AFU2.8 F 1Ø	V	235	380	560	230	20.5	0.5	9 ³ / ₄	14 ¹ / ₈	22 ¹ / ₈	9 ³ / ₈	45	1	415	380	580	250	16 ¹ / ₈	14 ¹ / ₈	22 ¹ / ₈	9 ³ / ₈	
50AFU2.4L F 1Ø	H	307	380	590	260	20.5	3	12 ¹ / ₈	14 ¹ / ₈	23 ³ / ₄	10 ¹ / ₄	45	6.5	515	380	675	345	20 ¹ / ₄	14 ¹ / ₈	26 ¹ / ₈	13 ³ / ₈	
50AFU2.8L F 1Ø	H	307	380	590	260	22.5	3	12 ¹ / ₈	14 ¹ / ₈	23 ³ / ₄	10 ¹ / ₄	49.5	6.5	515	380	675	345	20 ¹ / ₄	14 ¹ / ₈	26 ¹ / ₈	13 ³ / ₈	
50AFU21.5 F 1Ø	V	288	455	605	155	33.5	0.5	11 ¹ / ₈	17 ¹ / ₈	23 ³ / ₈	6 ¹ / ₂	74	1	582	455	630	180	22 ¹ / ₈	17 ¹ / ₈	24 ¹ / ₈	7 ¹ / ₈	
80AFU21.5 F 1Ø	V	397	455	645	195	35.5	5	15 ¹ / ₈	17 ¹ / ₈	25 ³ / ₈	7 ¹ / ₂	78	11	567	455	745	295	22 ¹ / ₈	17 ¹ / ₈	29 ¹ / ₈	11 ¹ / ₈	
80AFU22.2 F 1Ø	H	397	455	680	230	38.5	5	15 ¹ / ₈	17 ¹ / ₈	26 ³ / ₈	9 ¹ / ₈	85	11	567	455	780	330	22 ¹ / ₈	17 ¹ / ₈	30 ¹ / ₈	13	
80AFU21.5L F 1Ø	H	402	455	695	245	38.5	5	15 ¹ / ₈	17 ¹ / ₈	27 ³ / ₈	9 ³ / ₈	85	11	572	455	755	305	22 ¹ / ₈	17 ¹ / ₈	29 ¹ / ₈	12	
80AFU22.2L F 1Ø	H	402	455	730	280	40.5	5	15 ¹ / ₈	17 ¹ / ₈	28 ³ / ₈	11	89	11	572	455	790	340	22 ¹ / ₈	17 ¹ / ₈	31 ¹ / ₈	13 ³ / ₈	
80AFP21.5 F 1Ø	H	417	455	645	195	37.5	5	16 ¹ / ₈	17 ¹ / ₈	25 ³ / ₈	7 ¹ / ₂	83	11	582	455	700	250	22 ¹ / ₈	17 ¹ / ₈	27 ¹ / ₈	9 ³ / ₈	
80AFP22.2 F 1Ø	H	417	455	680	230	40.5	5	16 ¹ / ₈	17 ¹ / ₈	26 ³ / ₈	9 ¹ / ₈	89	11	582	455	735	285	22 ¹ / ₈	17 ¹ / ₈	28 ¹ / ₈	11 ¹ / ₄	
80AFC21.5 F 1Ø	H	417	455	645	195	37.5	5	16 ¹ / ₈	17 ¹ / ₈	25 ³ / ₈	7 ¹ / ₂	83	11	582	455	700	250	22 ¹ / ₈	17 ¹ / ₈	27 ¹ / ₈	9 ³ / ₈	
80AFC22.2 F 1Ø	H	417	455	680	230	40.5	5	16 ¹ / ₈	17 ¹ / ₈	26 ³ / ₈	9 ¹ / ₈	89	11	582	455	735	285	22 ¹ / ₈	17 ¹ / ₈	28 ¹ / ₈	11 ¹ / ₄	
50AFC21.5 F 3Ø	V	288	510	435	150	31.5	0.5	11 ¹ / ₈	20 ¹ / ₈	17 ¹ / ₈	5 ¹ / ₈	69.5	1	582	510	465	175	22 ¹ / ₈	20 ¹ / ₈	18 ¹ / ₈	6 ¹ / ₈	
80AFU21.5 F 3Ø	H	397	510	475	190	34.5	5	15 ¹ / ₈	20 ¹ / ₈	18 ¹ / ₈	7 ¹ / ₂	76	11	567	510	575	290	22 ¹ / ₈	20 ¹ / ₈	22 ¹ / ₈	11 ¹ / ₈	
80AFU22.2 F 3Ø	H	397	510	475	190	36.5	5	15 ¹ / ₈	20 ¹ / ₈	18 ¹ / ₈	7 ¹ / ₂	80.5	11	567	510	575	290	22 ¹ / ₈	20 ¹ / ₈	22 ¹ / ₈	11 ¹ / ₈	
80AFU21.5L F 3Ø	H	402	510	525	240	36.5	5	15 ¹ / ₈	20 ¹ / ₈	20 ¹ / ₈	9 ¹ / ₈	80.5	11	572	510	585	300	22 ¹ / ₈	20 ¹ / ₈	23 ¹ / ₈	11 ¹ / ₈	
80AFU22.2L F 3Ø	H	402	510	525	240	38.5	5	15 ¹ / ₈	20 ¹ / ₈	20 ¹ / ₈	9 ¹ / ₈	85	11	572	510	585	300	22 ¹ / ₈	20 ¹ / ₈	23 ¹ / ₈	11 ¹ / ₈	
80AFP21.5 F 3Ø	H	417	510	620	250	35.5	5	16 ¹ / ₈	20 ¹ / ₈	24 ¹ / ₈	9 ³ / ₈	78	11	582	510	675	305	22 ¹ / ₈	20 ¹ / ₈	26 ¹ / ₈	12	
80AFP22.2 F 3Ø	H	417	510	620	250	37.5	5	16 ¹ / ₈	20 ¹ / ₈	24 ¹ / ₈	9 ³ / ₈	83	11	582	510	675	305	22 ¹ / ₈	20 ¹ / ₈	26 ¹ / ₈	12	
80AFC21.5 F 3Ø	H	417	510	620	250	35.5	5	16 ¹ / ₈	20 ¹ / ₈	24 ¹ / ₈	9 ³ / ₈	78	11	582	510	675	305	22 ¹ / ₈	20 ¹ / ₈	26 ¹ / ₈	12	
80AFC22.2 F 3Ø	H	417	510	620	250	37.5	5	16 ¹ / ₈	20 ¹ / ₈	24 ¹ / ₈	9 ³ / ₈	83	11	582	510	675	305	22 ¹ / ₈	20 ¹ / ₈	26 ¹ / ₈	12	

WT1:Pump Weight (including float switch)
 WT2:Elbow Set Weight
 C.=Casing type : V stands for vertical and H for horizontal.



Model	Pump Only										With GRS									
	Dimensions-mm				Weight-kg		Dimensions-inch				Weight-lb		Dimensions-mm				Dimensions-inch			
	A	L	ON	OFF	WT1	WT2	A	L	ON	OFF	WT1	WT2	A	L	ON	OFF	A	L	ON	OFF
50AFU4.4 F 1ø	347	470	740	190	30.5	3	13 ³ / ₁₆	18 ¹ / ₂	29 ³ / ₈	7 ¹ / ₂	67	6.5	555	470	815	265	21 ¹ / ₈	18 ¹ / ₂	32 ¹ / ₁₆	10 ¹ / ₂
50AFU4.8 F 1ø	347	470	740	190	30.5	3	13 ³ / ₁₆	18 ¹ / ₂	29 ³ / ₈	7 ¹ / ₂	67	6.5	555	470	815	265	21 ¹ / ₈	18 ¹ / ₂	32 ¹ / ₁₆	10 ¹ / ₂
80AFU41.5 F 1ø	447	455	780	300	47.5	5	17 ³ / ₈	17 ¹ / ₈	30 ³ / ₁₆	11 ¹ / ₈	105	11	612	455	818	338	24 ¹ / ₈	17 ³ / ₈	32 ³ / ₁₆	13 ³ / ₁₆
80AFP41.5 F 1ø	474	455	727	247	47.5	5	18 ¹ / ₈	17 ¹ / ₈	28 ³ / ₈	9 ³ / ₄	105	11	639	455	776	296	25 ³ / ₈	17 ³ / ₈	30 ³ / ₁₆	11 ³ / ₈
80AFU41.5 F 3ø	447	510	770	280	49.5	5	17 ³ / ₈	20 ¹ / ₈	30 ³ / ₁₆	11	109	11	612	510	808	318	24 ¹ / ₈	20 ¹ / ₈	31 ¹ / ₈	12 ¹ / ₂
80AFP41.5 F 3ø	474	510	717	227	49.5	5	18 ¹ / ₈	20 ¹ / ₈	28 ³ / ₄	8 ¹ / ₈	109	11	639	510	766	276	25 ³ / ₈	20 ¹ / ₈	30 ³ / ₁₆	10 ⁷ / ₈

WT1:Pump Weight (including float switch)
WT2:Elbow Set Weight

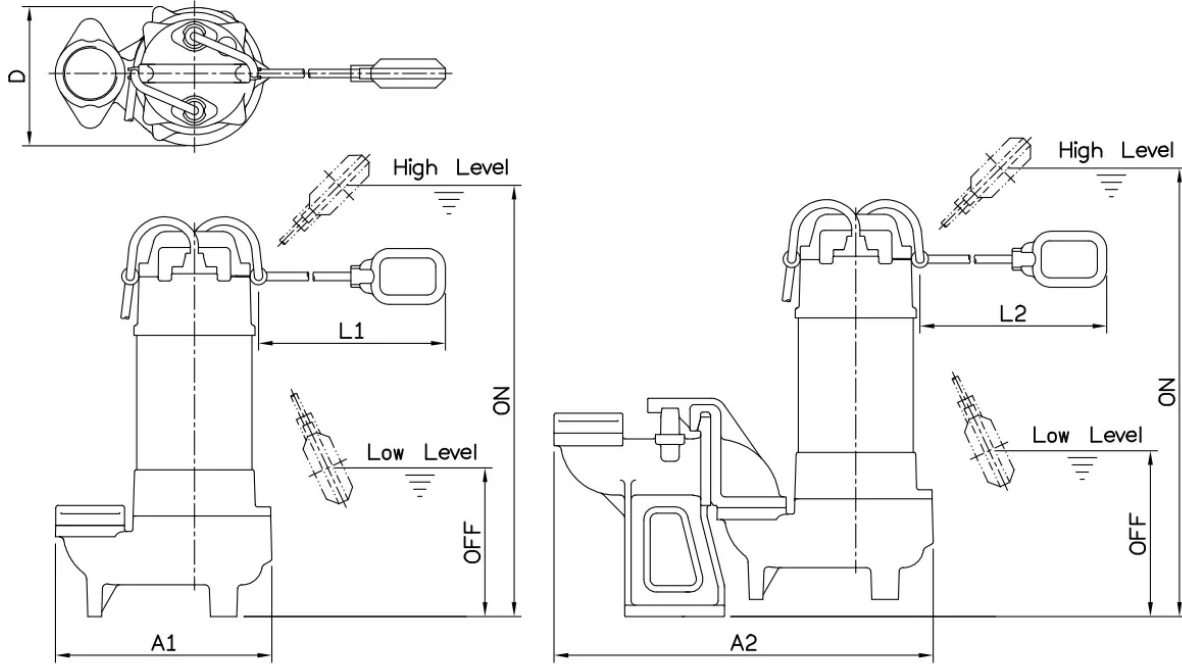
DIMENSIONS

NO: SOF000000F-01

Float Switch Pumps Model

50Hz

C:V



Model	Pump Only														With GRS									
	Dimensions-mm						Weight-kg		Dimensions-inch						Weight-lb		Dimensions-mm				Dimensions-inch			
	C.	A1	D	L1	ON	OFF	WT1	WT2	A1	D	L1	ON	OFF	WT1	WT2	A2	L2	ON	OFF	A2	L2	ON	OFF	
F-04U F 1ø	H	243	154	380	600	55	15.5	0.5	9 1/8	6 1/8	14 5/8	23 3/8	2 3/8	34	1	423	380	635	90	16 5/8	14 3/8	25	3 7/8	
F-05A F 1ø	V	225	161	300	510	90	12.5	0.5	8 7/8	6 3/8	11 3/8	20 1/8	3 3/8	27.5	1	408	300	545	120	16 1/8	11 3/8	21 1/8	4 3/4	
F-05U F 1ø	V	237	154	380	645	100	16.5	0.5	9 1/8	6 1/8	14 5/8	25 3/8	3 3/8	36	1	417	380	665	120	16 1/8	14 3/8	21 3/8	4 3/4	
F-05P F 1ø	V	276	235	380	690	145	16.5	0.5	10 7/8	9 1/4	14 5/8	27 7/8	5 1/8	36	1	424	380	735	190	16 1/8	14 3/8	28 5/8	7 1/2	
F-21U F 1ø	V	237	154	380	645	100	17.5	0.5	9 1/8	6 1/8	14 5/8	25 3/8	3 3/8	38.5	1	417	380	665	120	16 1/8	14 3/8	21 3/8	4 3/4	
F-21P F 1ø	V	276	235	380	690	145	18.5	0.5	10 7/8	9 1/4	14 5/8	27 7/8	5 1/8	41	1	424	380	735	190	16 1/8	14 3/8	28 5/8	7 1/2	
F-31U F 1ø	V	278	173	380	665	130	18.5	1	10 3/8	6 3/8	14 5/8	26 3/8	5 1/8	41	2	-	-	-	-	-	-	-	-	
F-32TU F 1ø	H	411	258	455	900	165	38.5	5	16 1/8	10 3/8	17 3/8	35 1/8	8 1/2	85	11	576	455	955	225	22 1/8	17 3/8	37 7/8	8 3/8	
F-32TP F 1ø	H	411	258	455	900	165	38.5	5	16 1/8	10 3/8	17 3/8	35 1/8	8 1/2	85	11	576	455	955	225	22 1/8	17 3/8	37 7/8	8 3/8	
F-33U F 1ø	H	411	258	455	900	165	40.5	5	16 1/8	10 3/8	17 3/8	35 1/8	8 1/2	89	11	576	455	955	225	22 1/8	17 3/8	37 7/8	8 3/8	
F-33P F 1ø	H	411	258	455	900	165	40.5	5	16 1/8	10 3/8	17 3/8	35 1/8	8 1/2	89	11	576	455	955	225	22 1/8	17 3/8	37 7/8	8 3/8	
F-05U F 3ø	V	237	154	380	645	100	16	0.5	9 1/8	6 1/8	14 5/8	25 3/8	3 3/8	35	1	417	380	665	120	16 1/8	14 3/8	21 3/8	4 3/4	
F-05P F 3ø	H	276	235	380	690	145	16	0.5	10 7/8	9 1/4	14 5/8	27 7/8	5 1/8	35	1	424	380	735	190	16 1/8	14 3/8	28 5/8	7 1/2	
F-21U F 3ø	H	237	154	380	645	100	17	0.5	9 1/8	6 1/8	14 5/8	25 3/8	3 3/8	37.5	1	417	380	665	120	16 1/8	14 3/8	21 3/8	4 3/4	
F-21P F 3ø	V	276	235	380	690	145	18	0.5	10 7/8	9 1/4	14 5/8	27 7/8	5 1/8	40	1	424	380	735	190	16 1/8	14 3/8	28 5/8	7 1/2	
F-31U F 3ø	V	278	173	380	665	130	18	1	10 3/8	6 3/8	14 5/8	26 3/8	5 1/8	40	2	-	-	-	-	-	-	-	-	
F-32TU F 3ø	H	411	258	510	875	165	35.5	5	16 1/8	10 3/8	20 3/8	34 1/8	8 1/2	78	11	576	510	930	225	22 1/8	20 3/8	36 3/8	8 3/8	
F-32TP F 3ø	H	411	258	510	875	165	36.5	5	16 1/8	10 3/8	20 3/8	34 1/8	8 1/2	80.5	11	576	510	930	225	22 1/8	20 3/8	36 3/8	8 3/8	
F-33U F 3ø	H	411	258	510	875	165	36.5	5	16 1/8	10 3/8	20 3/8	34 1/8	8 1/2	80.5	11	576	510	930	225	22 1/8	20 3/8	36 3/8	8 3/8	
F-33P F 3ø	H	411	258	510	875	165	36.5	5	16 1/8	10 3/8	20 3/8	34 1/8	8 1/2	80.5	11	576	510	930	225	22 1/8	20 3/8	36 3/8	8 3/8	

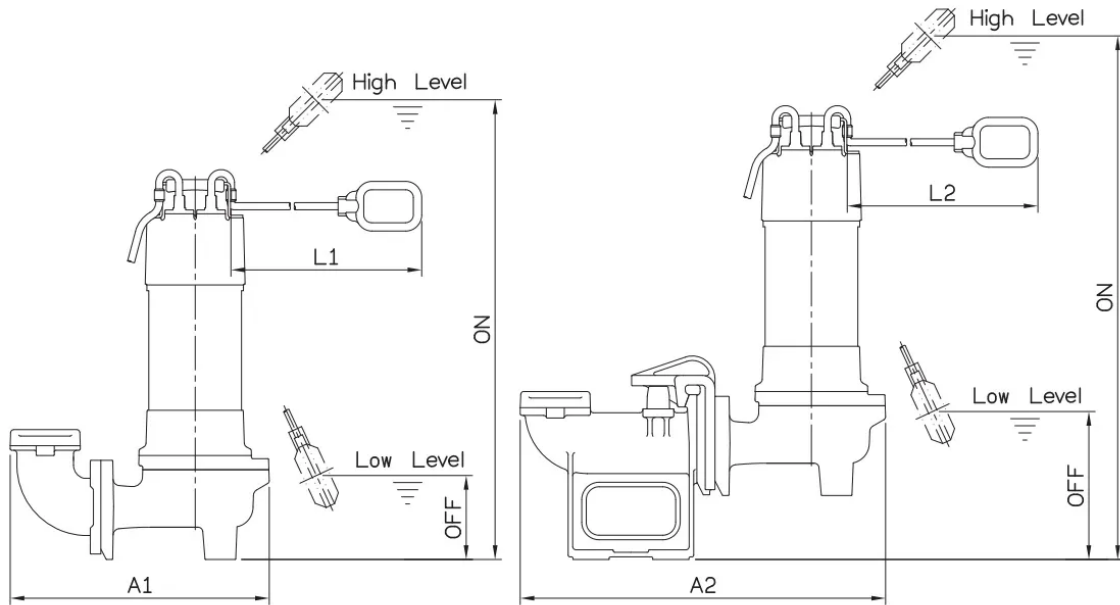
WT1:Pump Weight (including float switch)
 WT2:Elbow Set Weight
 *≡C:V (Vertical Casing)

DIMENSIONS

NO: SOFN000000F-00

Float Switch Pumps Model

C:V



Model	Pump Only												With GRS									
	Dimensions-mm					Weight-kg		Dimensions-inch					Weight-lb		Dimensions-mm				Dimensions-inch			
	C.	A1	L1	ON	OFF	WT1	WT2	A1	L1	ON	OFF	WT1	WT2	A2	L2	ON	OFF	A2	L2	ON	OFF	
FN-22U F 1ø V	288	455	625	175	31	0.5	11 1/16	1 7/16	24 3/8	6 7/8	68	1	583	455	650	200	22 1/16	1 7/16	25 3/8	7 7/8		
FN-23U F 1ø V	288	455	635	185	33	0.5	11 1/16	1 7/16	25	7 3/16	73	1	582	455	665	215	22 3/16	1 7/16	26 3/8	8 7/16		
FN-32U F 1ø V	402	455	655	205	33	5	15 5/16	1 7/16	25 1/2	8 1/2	73	11	-	-	-	-	-	-	-	-	-	-
FN-32U F 1ø H	402	455	655	205	33	5	15 5/16	1 7/16	25 1/2	8 1/2	73	11	568	455	755	305	22 3/8	1 7/16	29 3/4	12		
FN-33U F 1ø V	402	455	670	220	36	5	15 5/16	1 7/16	26 3/8	8 1/2	79	11	-	-	-	-	-	-	-	-	-	-
FN-33U F 1ø H	402	455	670	220	36	5	15 5/16	1 7/16	26 3/8	8 1/2	79	11	568	455	765	315	22 3/8	1 7/16	30 3/4	12 3/8		
FN-32P F 1ø V	417	455	670	220	35	5	16 1/16	1 7/16	26 3/8	8 1/2	77	11	-	-	-	-	-	-	-	-	-	-
FN-32P F 1ø H	417	455	670	220	35	5	16 1/16	1 7/16	26 3/8	8 1/2	77	11	583	455	725	275	22 3/16	1 7/16	28 3/16	10 3/8		
FN-33P F 1ø V	417	455	680	230	38	5	16 1/16	1 7/16	26 3/4	9 1/16	84	11	-	-	-	-	-	-	-	-	-	-
FN-33P F 1ø H	417	455	680	230	38	5	16 1/16	1 7/16	26 3/4	9 1/16	84	11	583	455	740	290	22 3/16	1 7/16	29 3/4	11 1/16		
FN-22U F 3ø V	288	510	565	195	26	0.5	11 1/16	20 1/16	22 1/4	7 1/16	57	1	583	510	590	220	22 3/16	20 1/16	23 3/4	8 1/16		
FN-23U F 3ø V	288	510	565	195	28	0.5	11 1/16	20 1/16	22 1/4	7 1/16	62	1	582	510	590	220	22 3/16	20 1/16	23 3/4	8 1/16		
FN-32U F 3ø V	402	510	605	235	29	5	15 5/16	20 1/16	23 3/8	9 1/16	64	11	-	-	-	-	-	-	-	-	-	-
FN-32U F 3ø H	402	510	605	235	29	5	15 5/16	20 1/16	23 3/8	9 1/16	64	11	568	510	705	335	22 3/16	20 1/16	27 3/4	13 3/16		
FN-33U F 3ø V	402	510	605	235	31	5	15 5/16	20 1/16	23 3/8	9 1/16	68	11	-	-	-	-	-	-	-	-	-	-
FN-33U F 3ø H	402	510	605	235	31	5	15 5/16	20 1/16	23 3/8	9 1/16	68	11	568	510	705	335	22 3/16	20 1/16	27 3/4	13 3/16		
FN-32P F 3ø V	417	510	610	240	31	5	16 1/16	20 1/16	24	9 1/16	68	11	-	-	-	-	-	-	-	-	-	-
FN-32P F 3ø H	417	510	610	240	31	5	16 1/16	20 1/16	24	9 1/16	68	11	583	510	665	295	22 3/16	20 1/16	26 3/8	11 1/8		
FN-33P F 3ø V	417	510	610	240	33	5	16 1/16	20 1/16	24	9 1/16	73	11	-	-	-	-	-	-	-	-	-	-
FN-33P F 3ø H	417	510	610	240	33	5	16 1/16	20 1/16	24	9 1/16	73	11	583	510	665	295	22 3/16	20 1/16	26 3/4	11 3/8		

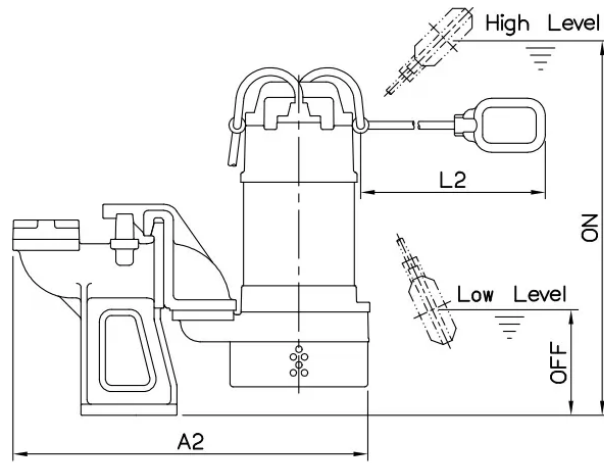
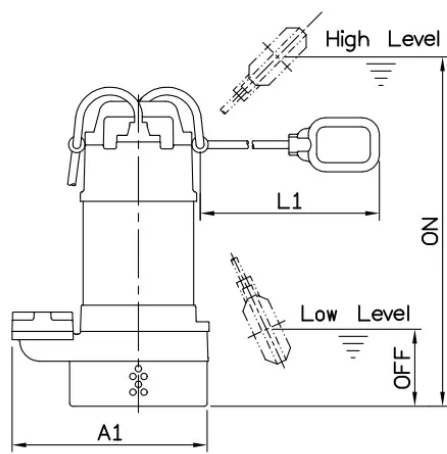
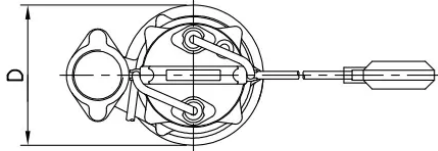
WT1: Pump Weight (including float switch)
 WT2: Elbow Set Weight
 C.=Casing type : V stands for vertical and H for horizontal.

DIMENSIONS

NO: SOA000000F-00

Float Switch Pumps Model

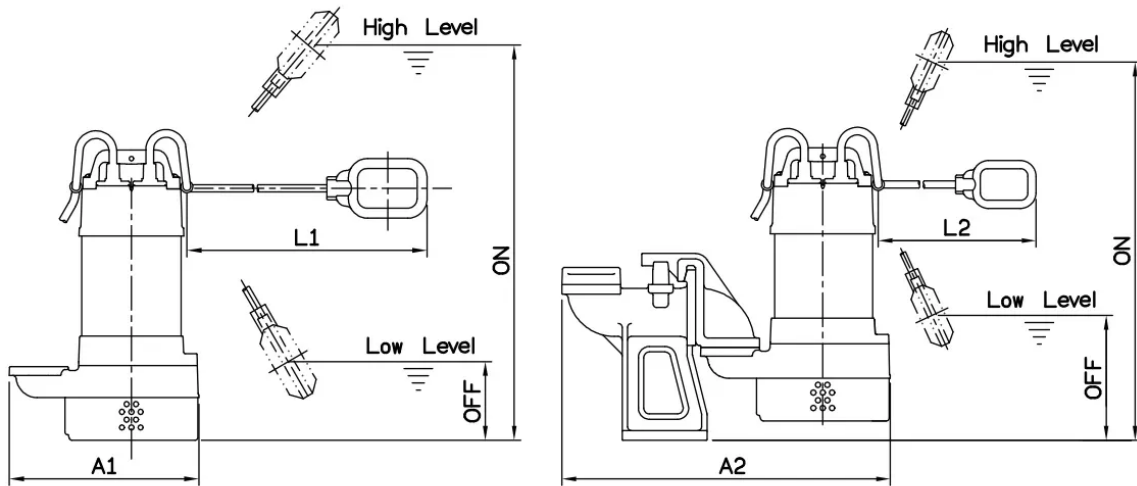
C:V



Model	Pump Only														With GRS									
	Dimensions-mm						Weight-kg		Dimensions-inch						Weight-lb		Dimensions-mm				Dimensions-inch			
	C	A1	D	L1	ON	OFF	WT1	WT2	A1	D	L1	ON	OFF	WT1	WT2	A2	L2	ON	OFF	A2	L2	ON	OFF	
A-05A F 1ø	V	225	161	300	510	90	12.5	0.5	8 7/8	6 3/16	11 3/16	20 1/4	3 7/16	27.5	1	408	300	545	120	16 1/16	11 3/16	21 7/16	4 3/4	
A-05B F 1ø	V	225	161	300	510	90	13.5	0.5	8 7/8	6 3/16	11 3/16	20 1/4	3 7/16	30	1	408	300	545	120	16 1/16	11 3/16	21 7/16	4 3/4	
A-05L F 1ø	V	245	173	380	650	100	16.5	0.5	9 9/16	6 3/16	14 5/16	25 3/8	3 5/16	36	1	425	380	660	110	16 3/4	14 5/16	26	4 5/16	
A-21 F 1ø	V	245	173	380	650	100	17.5	0.5	9 9/16	6 3/16	14 5/16	25 3/8	3 5/16	38.5	1	425	380	660	110	16 3/4	14 5/16	26	4 5/16	
A-31 F 1ø	V	278	173	380	665	130	18.5	1	10 5/16	6 3/16	14 5/16	26 3/8	5 1/8	41	2	-	-	-	-	-	-	-	-	
A-32T F 1ø	H	388	216	455	860	130	37.5	5	15 1/4	8 1/2	17 5/8	33 1/4	5 1/8	83	11	552	455	935	205	21 3/4	17 5/8	36 3/8	8 1/8	
A-23 F 1ø	V	279	209	455	865	130	38.5	0.5	11	8 1/4	17 3/8	34 1/4	5 1/8	85	1	574	455	905	170	22 3/8	17 3/8	35 3/8	6 1/8	
A-33 F 1ø	H	388	216	455	870	130	39.5	5	15 1/4	8 1/2	17 5/8	34 1/4	5 1/8	87	11	552	455	945	205	21 3/4	17 5/8	37 3/8	8 1/8	
A-43 F 1ø	H	384	216	455	870	130	44.5	6	15 1/8	8 1/2	17 5/8	34 1/4	5 1/8	98	13	653	455	945	205	25 1/8	17 5/8	37 3/8	8 1/8	
A-05B F 3ø	V	225	161	300	510	90	13	0.5	8 7/8	6 3/16	11 3/16	20 1/4	3 7/16	29	1	408	300	545	120	16 1/16	11 3/16	21 7/16	4 3/4	
A-05L F 3ø	V	245	173	380	650	100	15	0.5	9 9/16	6 3/16	14 5/16	25 3/8	3 5/16	33	1	425	380	660	110	16 3/4	14 5/16	26	4 5/16	
A-21 F 3ø	V	245	173	380	650	100	16	0.5	9 9/16	6 3/16	14 5/16	25 3/8	3 5/16	35	1	425	380	660	110	16 3/4	14 5/16	26	4 5/16	
A-31 F 3ø	V	278	173	380	665	130	18	1	10 5/16	6 3/16	14 5/16	26 3/8	5 1/8	40	2	-	-	-	-	-	-	-	-	
A-32T F 3ø	H	388	216	510	840	130	34.5	5	15 1/4	8 1/2	20 1/8	33 3/4	5 1/8	76	11	552	510	915	205	21 3/4	20 1/8	36	8 1/8	
A-23 F 3ø	V	279	209	510	835	130	34.5	0.5	11	8 1/4	20 1/8	32 1/4	5 1/8	76	1	574	510	875	170	22 3/8	20 1/8	34 1/4	6 1/8	
A-33 F 3ø	H	388	216	510	840	130	35.5	5	15 1/4	8 1/2	20 1/8	33 3/4	5 1/8	78	11	552	510	915	205	21 3/4	20 1/8	36	8 1/8	
A-43 F 3ø	H	384	216	510	840	130	41.5	6	15 1/8	8 1/2	20 1/8	33 3/4	5 1/8	91.5	13	653	510	915	205	25 1/8	20 1/8	36	8 1/8	

WT1:Pump Weight (including float switch)
 WT2:Elbow Set Weight
 * = C:V (Vertical Casing)

C:V

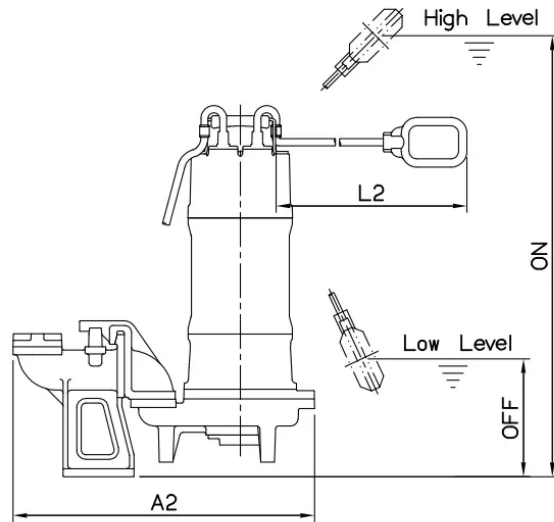
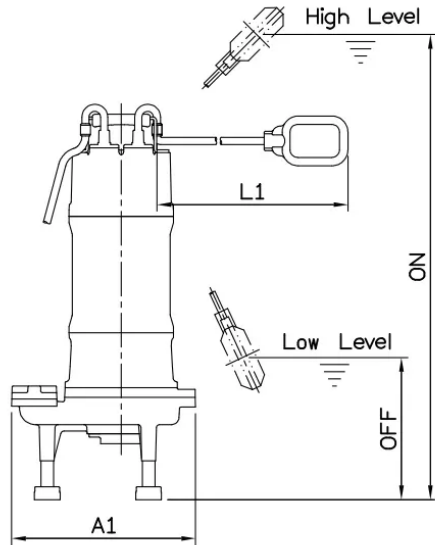


Model	Pump Only												With GRS									
	Dimensions-mm					Weight-kg		Dimensions-inch					Weight-lb		Dimensions-mm				Dimensions-inch			
	C.	A1	L1	ON	OFF	WT1	WT2	A1	L1	ON	OFF	WT1	WT2	A2	L2	ON	OFF	A2	L2	ON	OFF	
AN-2.5M F 1Ø	V	235	280	410	160	12.5	0.5	9 3/4	11	16 1/8	6 5/16	28	1	417	280	450	200	16 1/8	11	17 1/8	7 7/8	
AN-21 F 1Ø	V	262	380	505	165	18.5	0.5	10 3/16	14 3/8	19 1/8	6 1/2	41	1	443	380	530	190	17 1/8	14 3/8	20 3/8	7 1/2	
AN-21.5 F 1Ø	V	262	380	525	185	20.5	0.5	10 3/16	14 3/8	20 3/8	7 3/8	45	1	443	380	550	210	17 1/8	14 3/8	21 3/8	8 1/4	
AN-22 F 1Ø	V	282	455	660	210	31.5	0.5	11 1/8	17 1/8	26	8 1/4	69	1	557	455	685	235	21 1/8	17 1/8	26 3/8	9 1/4	
AN-23 F 1Ø	V	282	455	670	220	35.5	0.5	11 1/8	17 1/8	26 3/8	8 1/2	78	1	557	455	695	245	21 1/8	17 1/8	27 3/8	9 3/8	
AN-31 F 1Ø	V	277	330	520	170	16.5	0.5	10 7/8	13	20 1/2	6 1/8	36	1	-	-	-	-	-	-	-	-	
AN-32 F 1Ø	H	391	455	670	220	33.5	5	15 3/8	17 1/8	26 3/8	8 1/2	74	11	557	455	730	280	21 1/8	17 1/8	28 3/4	11	
AN-33 F 1Ø	H	391	455	680	230	37.5	5	15 3/8	17 1/8	26 3/8	9 3/8	83	11	557	455	740	290	21 1/8	17 1/8	29 3/4	11 1/4	
AN-43 F 1Ø	H	389	455	680	230	37.5	5	15 3/8	17 1/8	26 3/8	9 3/8	83	11	656	455	705	255	25 3/8	17 1/8	27 3/4	10 1/8	
AN-21 F 3Ø	V	262	380	515	175	18	0.5	10 3/16	14 3/8	20 3/8	6 7/8	40	1	443	380	545	205	17 1/8	14 3/8	21 1/8	8 1/8	
AN-21.5 F 3Ø	V	262	380	515	175	19	0.5	10 3/16	14 3/8	20 3/8	6 7/8	42	1	443	380	545	205	17 1/8	14 3/8	21 1/8	8 1/8	
AN-22 F 3Ø	V	282	510	585	215	29.5	0.5	11 1/8	20 1/8	23 3/8	8 3/8	65	1	557	510	615	245	21 1/8	20 1/8	24 3/8	9 3/8	
AN-23 F 3Ø	V	282	510	585	215	32.5	0.5	11 1/8	20 1/8	23 3/8	8 3/8	72	1	557	510	615	245	21 1/8	20 1/8	24 3/8	9 3/8	
AN-31 F 3Ø	V	277	330	535	185	32.5	0.5	10 7/8	13	21 1/8	7 5/8	72	1	-	-	-	-	-	-	-	-	
AN-32 F 3Ø	H	391	510	595	225	31.5	5	15 3/8	20 1/8	23 3/8	8 3/8	69.5	11	557	510	655	285	21 1/8	20 1/8	25 3/8	11 1/4	
AN-33 F 3Ø	H	391	510	595	225	34.5	5	15 3/8	20 1/8	23 3/8	8 3/8	76	11	557	510	655	285	21 1/8	20 1/8	25 3/8	11 1/4	
AN-43 F 3Ø	H	389	510	605	235	34.5	5	15 3/8	20 1/8	23 3/8	9 3/4	76	11	656	510	635	265	25 3/8	20 1/8	25	10 1/8	

WT1: Pump Weight (including float switch)
 WT2: Elbow Set Weight
 C.=Casing type : V stands for vertical and H for horizontal.

Float Switch Pumps Model

C:V

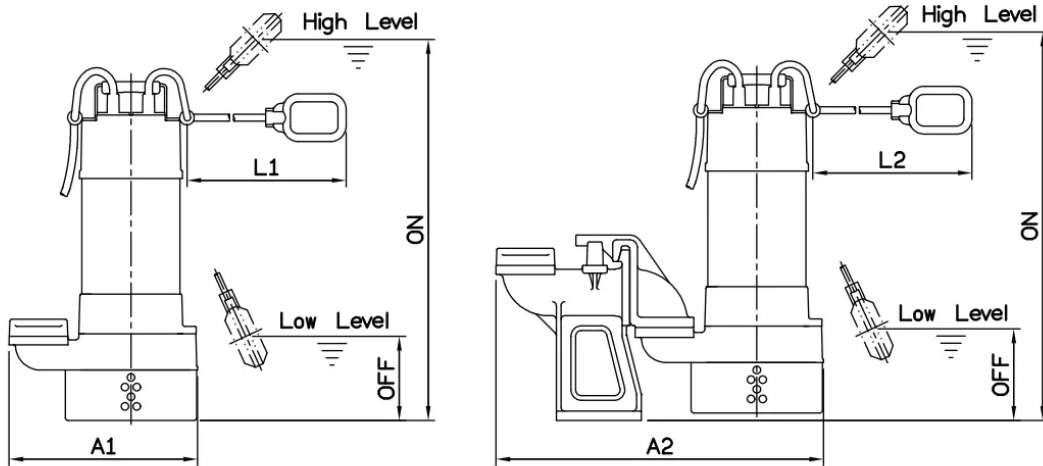


Model	Pump Only												With GRS							
	Dimensions-mm				Weight-kg		Dimensions-inch				Weight-lb		Dimensions-mm				Dimensions-inch			
	C.	A1	L1	ON	OFF	WT1	WT2	A1	L1	ON	OFF	WT1	WT2	A2	L2	ON	OFF	A2	L2	ON
32GF21.0 F 1ø V	249	470	636	266	27.5	0.5	9 ³ / ₁₆	18 ¹ / ₂	25 ¹ / ₁₆	10 ¹ / ₂	60.5	1	432	470	658	288	17	18 ¹ / ₂	25 ¹ / ₁₆	11 ¹ / ₁₆
32GF21.5 F 1ø V	285	455	666	216	36.5	0.5	11 ¹ / ₄	17 ¹ / ₁₆	26 ¹ / ₄	8 ¹ / ₂	80.5	1	468	455	688	238	18 ¹ / ₁₆	17 ¹ / ₁₆	27 ¹ / ₁₆	9 ¹ / ₈
32GF22.2 F 1ø V	285	455	692	242	38.5	0.5	11 ¹ / ₄	17 ¹ / ₁₆	27 ¹ / ₄	9 ¹ / ₂	85	1	468	455	714	264	18 ¹ / ₁₆	17 ¹ / ₁₆	28 ¹ / ₁₆	10 ³ / ₈
32GF21.5H F 1ø V	285	455	666	216	36.5	0.5	11 ¹ / ₄	17 ¹ / ₁₆	26 ¹ / ₄	8 ¹ / ₂	80.5	1	468	455	688	238	18 ¹ / ₁₆	17 ¹ / ₁₆	27 ¹ / ₁₆	9 ¹ / ₈
32GF22.2H F 1ø V	285	455	692	242	38.5	0.5	11 ¹ / ₄	17 ¹ / ₁₆	27 ¹ / ₄	9 ¹ / ₂	85	1	468	455	714	264	18 ¹ / ₁₆	17 ¹ / ₁₆	28 ¹ / ₁₆	10 ³ / ₈
40GF21.5 F 1ø H	255	455	666	216	36.5	-	10 ¹ / ₁₆	17 ¹ / ₁₆	26 ¹ / ₄	8 ¹ / ₂	80.5	-	-	-	-	-	-	-	-	-
40GF22.2 F 1ø H	255	455	692	242	39.5	-	10 ¹ / ₁₆	17 ¹ / ₁₆	27 ¹ / ₄	9 ¹ / ₂	87	-	-	-	-	-	-	-	-	-
32GF21.0 F 3ø V	249	470	636	266	26	0.5	9 ³ / ₁₆	18 ¹ / ₂	25 ¹ / ₁₆	10 ¹ / ₂	57	1	432	470	658	288	17	18 ¹ / ₂	25 ¹ / ₁₆	11 ¹ / ₁₆
32GF21.5 F 3ø V	285	510	641	271	34.5	0.5	11 ¹ / ₄	20 ¹ / ₁₆	25 ¹ / ₄	10 ¹ / ₁₆	76	1	468	510	664	294	18 ¹ / ₁₆	20 ¹ / ₁₆	26 ¹ / ₁₆	11 ¹ / ₁₆
32GF22.2 F 3ø V	285	510	641	271	37.5	0.5	11 ¹ / ₄	20 ¹ / ₁₆	25 ¹ / ₄	10 ¹ / ₁₆	83	1	468	510	664	294	18 ¹ / ₁₆	20 ¹ / ₁₆	26 ¹ / ₁₆	11 ¹ / ₁₆
32GF21.5H F 3ø V	285	510	641	271	34.5	0.5	11 ¹ / ₄	20 ¹ / ₁₆	25 ¹ / ₄	10 ¹ / ₁₆	76	1	468	510	664	294	18 ¹ / ₁₆	20 ¹ / ₁₆	26 ¹ / ₁₆	11 ¹ / ₁₆
32GF22.2H F 3ø V	285	510	641	271	37.5	0.5	11 ¹ / ₄	20 ¹ / ₁₆	25 ¹ / ₄	10 ¹ / ₁₆	83	1	468	510	664	294	18 ¹ / ₁₆	20 ¹ / ₁₆	26 ¹ / ₁₆	11 ¹ / ₁₆
40GF21.5 F 3ø H	255	510	641	271	34.5	-	10 ¹ / ₁₆	20 ¹ / ₁₆	25 ¹ / ₄	10 ¹ / ₁₆	76	-	-	-	-	-	-	-	-	-
40GF22.2 F 3ø H	255	510	641	271	38.5	-	10 ¹ / ₁₆	20 ¹ / ₁₆	25 ¹ / ₄	10 ¹ / ₁₆	85	-	-	-	-	-	-	-	-	-

WT1: Pump Weight (including float switch)
 WT2: Elbow Set Weight
 C.=Casing type : V stands for vertical and H for horizontal.

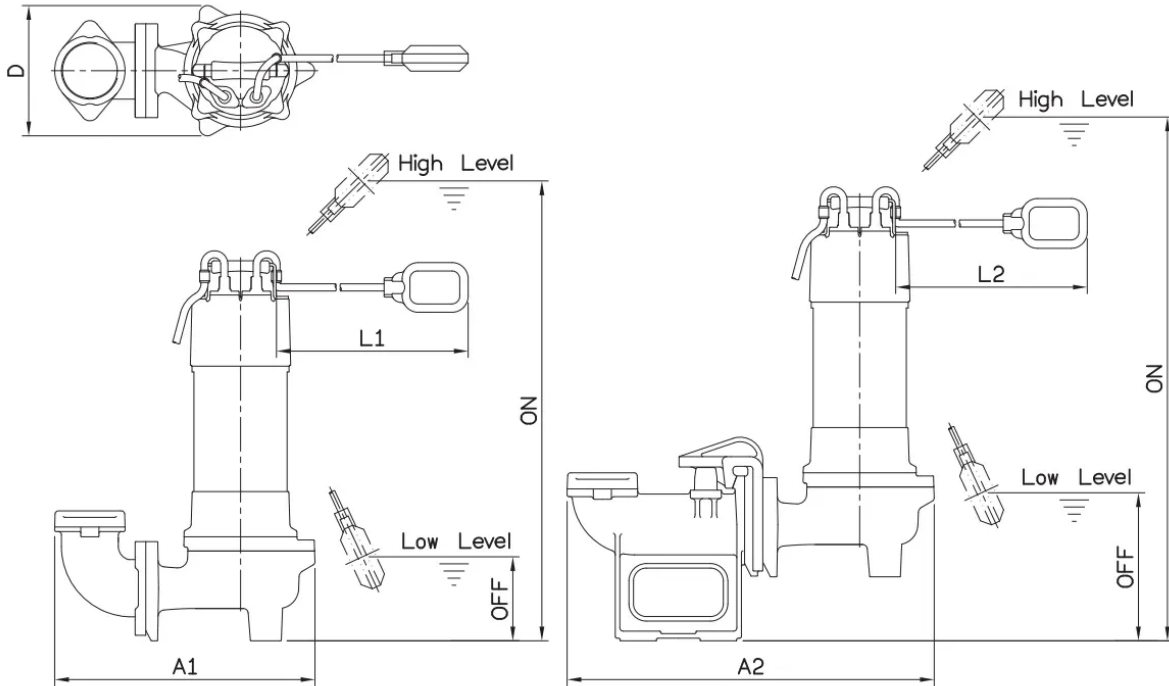
Float Switch Pumps Model

C:V



Model	Pump Only												With GRS									
	Dimensions-mm					Weight-kg		Dimensions-inch					Weight-lb		Dimensions-mm				Dimensions-inch			
	C.	A1	L1	ON	OFF	WT1	WT2	A1	L1	ON	OFF	WT1	WT2	A2	L2	ON	OFF	A2	L2	ON	OFF	
50SA2.4A F 1Ø V	244	380	655	110	14.5	0.5	9 ⁹ / ₁₆	14 ¹ / ₁₆	25 ³ / ₁₆	4 ⁷ / ₁₆	32	1	424	380	665	120	16 ¹ / ₁₆	14 ¹ / ₁₆	26 ³ / ₁₆	4 ³ / ₁₆		
50SA2.8A F 1Ø V	244	380	655	110	16.5	0.5	9 ⁹ / ₁₆	14 ¹ / ₁₆	25 ³ / ₁₆	4 ⁷ / ₁₆	36.5	1	424	380	665	120	16 ¹ / ₁₆	14 ¹ / ₁₆	26 ³ / ₁₆	4 ³ / ₁₆		
50SFU2.4A F 1Ø V	237	380	655	110	15.5	0.5	9 ⁹ / ₁₆	14 ¹ / ₁₆	25 ³ / ₁₆	4 ⁷ / ₁₆	34	1	417	380	675	130	16 ¹ / ₁₆	14 ¹ / ₁₆	26 ³ / ₁₆	5 ¹ / ₁₆		
50SFU2.8A F 1Ø V	237	380	655	110	16.5	0.5	9 ⁹ / ₁₆	14 ¹ / ₁₆	25 ³ / ₁₆	4 ⁷ / ₁₆	36.5	1	417	380	675	130	16 ¹ / ₁₆	14 ¹ / ₁₆	26 ³ / ₁₆	5 ¹ / ₁₆		
50SA2.4A F 3Ø V	244	380	655	110	15	0.5	9 ⁹ / ₁₆	14 ¹ / ₁₆	25 ³ / ₁₆	4 ⁷ / ₁₆	33	1	424	380	665	120	16 ¹ / ₁₆	14 ¹ / ₁₆	26 ³ / ₁₆	4 ³ / ₁₆		
50SA2.8A F 3Ø V	244	380	655	110	16	0.5	9 ⁹ / ₁₆	14 ¹ / ₁₆	25 ³ / ₁₆	4 ⁷ / ₁₆	35	1	424	380	665	120	16 ¹ / ₁₆	14 ¹ / ₁₆	26 ³ / ₁₆	4 ³ / ₁₆		
50SFU2.4A F 3Ø V	237	380	655	110	15	0.5	9 ⁹ / ₁₆	14 ¹ / ₁₆	25 ³ / ₁₆	4 ⁷ / ₁₆	33	1	417	380	675	130	16 ¹ / ₁₆	14 ¹ / ₁₆	26 ³ / ₁₆	5 ¹ / ₁₆		
50SFU2.8A F 3Ø V	237	380	655	110	16	0.5	9 ⁹ / ₁₆	14 ¹ / ₁₆	25 ³ / ₁₆	4 ⁷ / ₁₆	35	1	417	380	675	130	16 ¹ / ₁₆	14 ¹ / ₁₆	26 ³ / ₁₆	5 ¹ / ₁₆		

WT1:Pump Weight (including float switch)
 WT2:Elbow Set Weight
 C.=Casing type :V stands for vertical and H for horizontal.



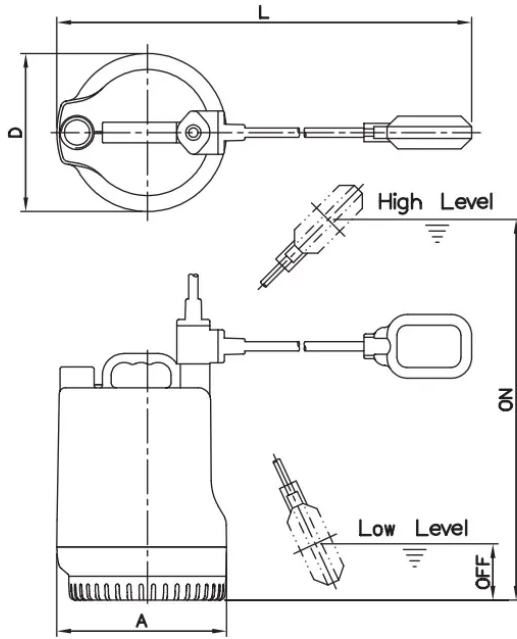
Model	Pump Only										With GRS											
	Dimensions-mm				Weight-kg		Dimensions-inch				Weight-lb		Dimensions-mm				Dimensions-inch					
	A1	D	L1	ON	OFF	WT1	WT2	A1	D	L1	ON	OFF	WT1	WT2	A2	L2	ON	OFF	A2	L2	ON	OFF
80SFU21.5 F 1Ø	402	202	455	654	204	31.5	5	15 ³ / ₁₆	7 ⁵ / ₁₆	17 ⁵ / ₁₆	25 ³ / ₄	8 ³ / ₁₆	69	11	567	455	755	305	22 ⁵ / ₁₆	17 ⁵ / ₁₆	29 ³ / ₄	12
80SFU22.2 F 1Ø	402	202	455	666	216	34.5	5	15 ³ / ₁₆	7 ⁵ / ₁₆	17 ⁵ / ₁₆	26 ¹ / ₄	8 ¹ / ₂	76	11	567	455	767	317	22 ⁵ / ₁₆	17 ⁵ / ₁₆	30 ³ / ₁₆	12 ¹ / ₂
80SFP21.5 F 1Ø	417	260	455	668	218	33.5	5	16 ¹ / ₁₆	10 ¹ / ₄	17 ⁵ / ₁₆	26 ⁵ / ₁₆	8 ³ / ₁₆	74	11	582	455	726	276	22 ⁵ / ₁₆	17 ⁵ / ₁₆	28 ³ / ₁₆	10 ⁷ / ₈
80SFP22.2 F 1Ø	417	260	455	680	230	37.5	5	16 ¹ / ₁₆	10 ¹ / ₄	17 ⁵ / ₁₆	26 ³ / ₄	9 ³ / ₁₆	83	11	582	455	738	288	22 ⁵ / ₁₆	17 ⁵ / ₁₆	29 ³ / ₁₆	11 ⁵ / ₁₆
80SFU21.5 F 3Ø	402	202	510	604	234	29.5	5	15 ³ / ₁₆	7 ⁵ / ₁₆	20 ⁵ / ₁₆	23 ³ / ₄	9 ³ / ₁₆	65	11	567	510	705	335	22 ⁵ / ₁₆	20 ⁵ / ₁₆	27 ³ / ₄	13 ³ / ₁₆
80SFU22.2 F 3Ø	402	202	510	604	234	31.5	5	15 ³ / ₁₆	7 ⁵ / ₁₆	20 ⁵ / ₁₆	23 ³ / ₄	9 ³ / ₁₆	69	11	567	510	705	335	22 ⁵ / ₁₆	20 ⁵ / ₁₆	27 ³ / ₄	13 ³ / ₁₆
80SFP21.5 F 3Ø	417	260	510	608	238	31.5	5	16 ¹ / ₁₆	10 ¹ / ₄	20 ⁵ / ₁₆	23 ⁵ / ₁₆	9 ³ / ₁₆	69	11	582	510	666	296	22 ⁵ / ₁₆	20 ⁵ / ₁₆	26 ¹ / ₄	11 ⁵ / ₈
80SFP22.2 F 3Ø	417	260	510	608	238	34.5	5	16 ¹ / ₁₆	10 ¹ / ₄	20 ⁵ / ₁₆	23 ⁵ / ₁₆	9 ³ / ₁₆	76	11	582	510	666	296	22 ⁵ / ₁₆	20 ⁵ / ₁₆	26 ¹ / ₄	11 ⁵ / ₈

WT1:Pump Weight (including float switch)
WT2:Elbow Set Weight

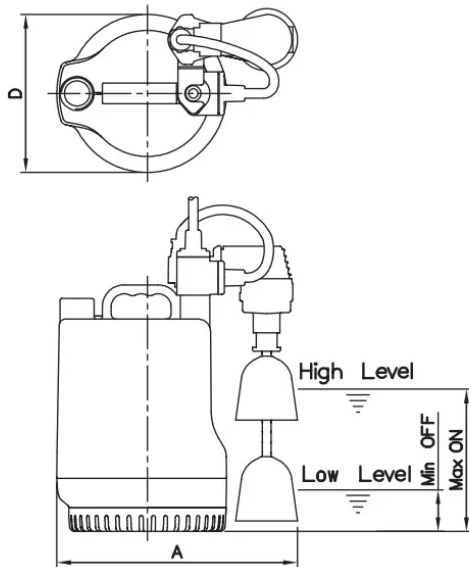
DIMENSIONS

NO: SOPOND0000F-00

Float Switch Pumps Model



Model	Pump Only											
	Dimensions-mm					Weight-kg	Dimensions-inch					Weight-lb
	A	D	L	ON	OFF	WT1	A	D	L	ON	OFF	WT1
POND-100A F 1Ø	164	153	454	400	145	4.5	6 ⁷ / ₁₆	6	17 ⁷ / ₁₆	15 ³ / ₁₆	5 ⁷ / ₁₆	10
POND-150A F 1Ø	164	153	454	400	145	4.5	6 ⁷ / ₁₆	6	17 ⁷ / ₁₆	15 ³ / ₁₆	5 ⁷ / ₁₆	10



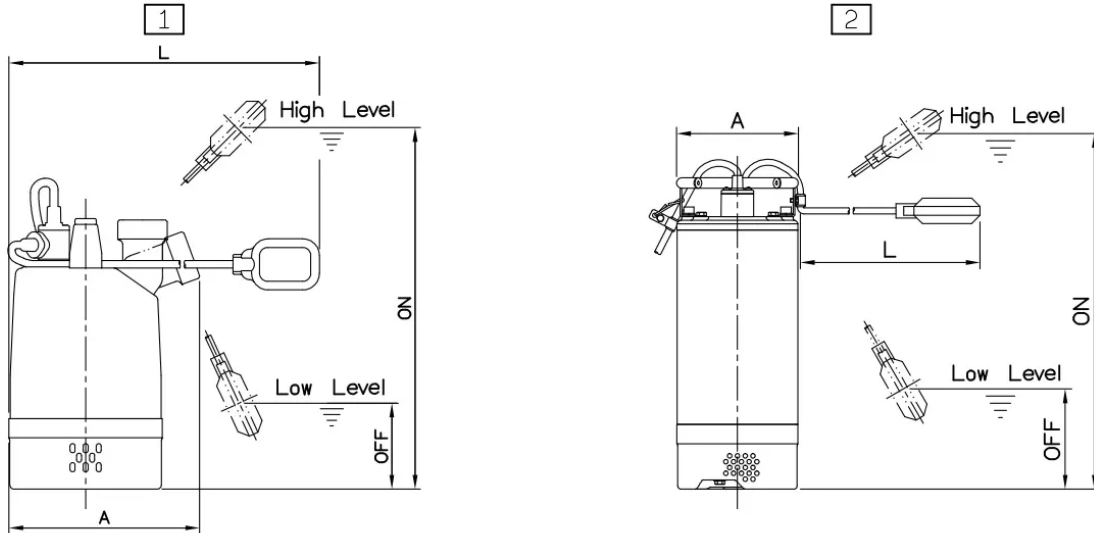
Model	Pump Only											
	Dimensions-mm					Weight-kg	Dimensions-inch					Weight-lb
	A	D	Max ON	Min OFF	WT1	A	D	Max ON	Min OFF	WT1		
POND-100A FV 1Ø	233	153	135	55	4.5	9 ³ / ₁₆	6	5 ¹ / ₁₆	2 ³ / ₁₆	10		
POND-150A FV 1Ø	233	153	135	55	4.5	9 ³ / ₁₆	6	5 ¹ / ₁₆	2 ³ / ₁₆	10		

WT1:Pump Weight (including float switch)

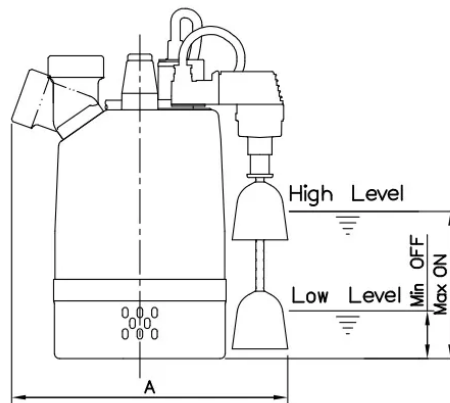
DIMENSIONS

NO: SOGD000000F-00

Float Switch Pumps Model

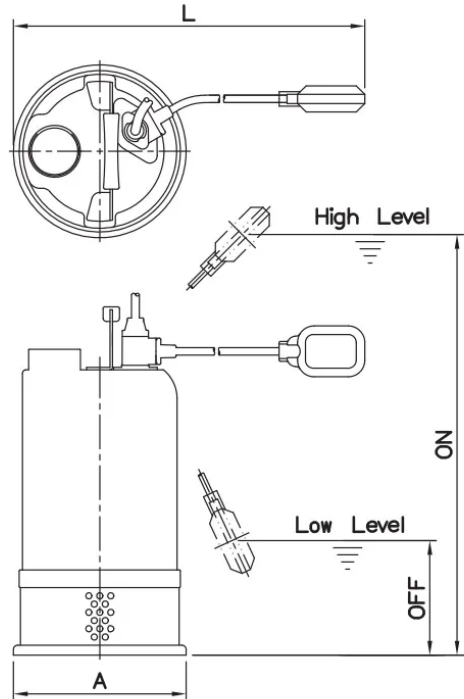


Model	TYPE	Pump Only									
		Dimensions-mm				Weight-kg	Dimensions-inch				Weight-lb
		A	L	ON	OFF	WT1	A	L	ON	OFF	WT1
GD-400 F 1ø	1	230	430	420	140	11.5	9 1/8	16 3/4	16 3/8	5 1/2	25
GD-750 F 1ø	1	230	430	460	140	13.5	9 1/8	16 3/4	18 1/2	5 1/2	30
GD-1100 F 1ø	2	188	410	550	155	33.5	7 3/8	16 1/2	21 3/8	6 3/8	74



Model		Pump Only									
		Dimensions-mm				Weight-kg	Dimensions-inch				Weight-lb
		A	Max ON	Min OFF	WT1	A	Max ON	Min OFF	WT1		
GD-400 FV 1ø	257	135	55	11.5	10 3/8	5 1/4	2 3/8	25			
GD-750 FV 1ø	257	155	55	13.5	10 3/8	6 3/8	2 3/8	30			

WT1:Pump Weight (including float switch)

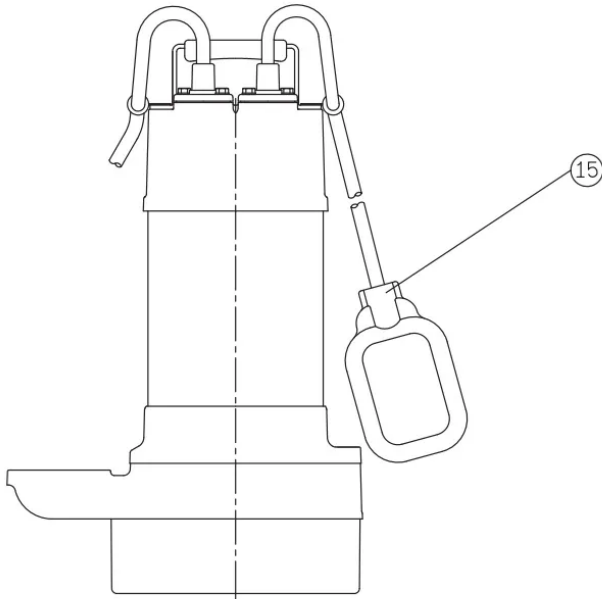


Model	Pump Only									
	Dimensions-mm				Weight-kg	Dimensions-inch				Weight-lb
	A	L	ON	OFF	WT1	A	L	ON	OFF	WT1
50HD21.1 F 1ø	210	505	708	162	28.5	8¼	19¾	27⅞	6⅜	63
50HD21.5 F 1ø	235	625	593	143	40.5	9¼	24¾	23⅜	5⅝	89
50HD22.2 F 1ø	235	625	624	174	44.5	9¼	24¾	24⅞	6⅞	98
80HD21.5 F 1ø	235	625	593	143	40.5	9¼	24¾	23⅜	5⅝	89
80HD22.2 F 1ø	235	625	624	174	45.5	9¼	24¾	24⅞	6⅞	100
50HD21.1 F 3ø	210	530	708	162	26.5	8¼	20⅞	27⅞	6⅜	58.5
50HD21.5 F 3ø	235	680	568	198	38.5	9¼	26¾	22⅜	7⅜	85
50HD22.2 F 3ø	235	680	568	198	41.5	9¼	26¾	22⅜	7⅜	91.5
80HD21.5 F 3ø	235	680	568	198	38.5	9¼	26¾	22⅜	7⅜	85
80HD22.2 F 3ø	235	680	568	198	41.5	9¼	26¾	22⅜	7⅜	91.5

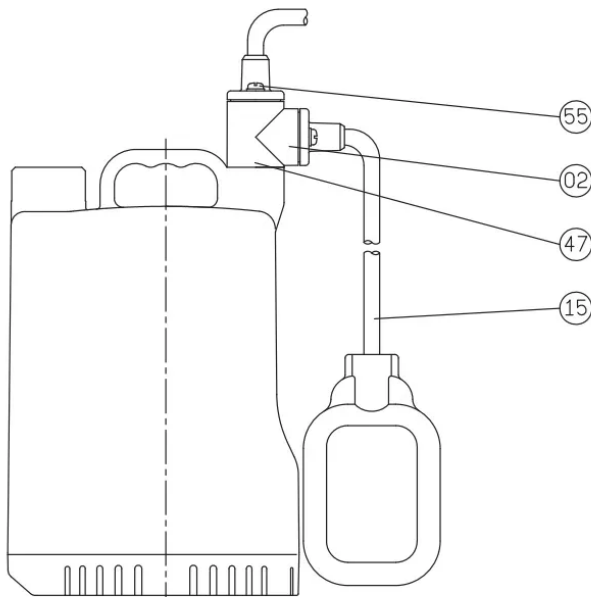
WT1:Pump Weight (including float switch)

Float Switches Model

Float Switch (F)

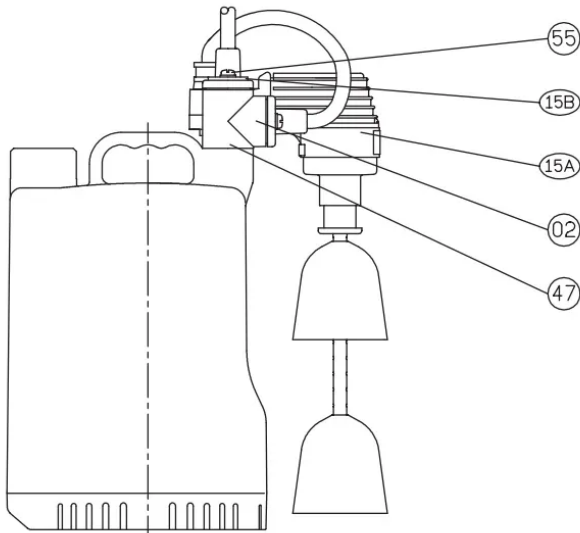


No.	Part name	Material	QTY	Remark
15	Float switch		1	



No.	Part name	Material	QTY	Remark
02	T connection cable base	ASA	1	
15	Float switch		1	
47	Packing	NBR	1	
55	Bolts	SUS304	2	M5*55L

Vertical Float Switch (FV)



No.	Part name	Material	QTY	Remark
02	T connection cable base	ASA	1	
15A	Vertical float switch		1	
15B	Float switch bracket	SUS304	1	
47	Gasket kit	NBR	1	
55	Bolts	SUS304	2	M5*55L



Professionalism • Innovation • Service • Commitment

A series of horizontal dotted lines for writing, spanning the width of the page.