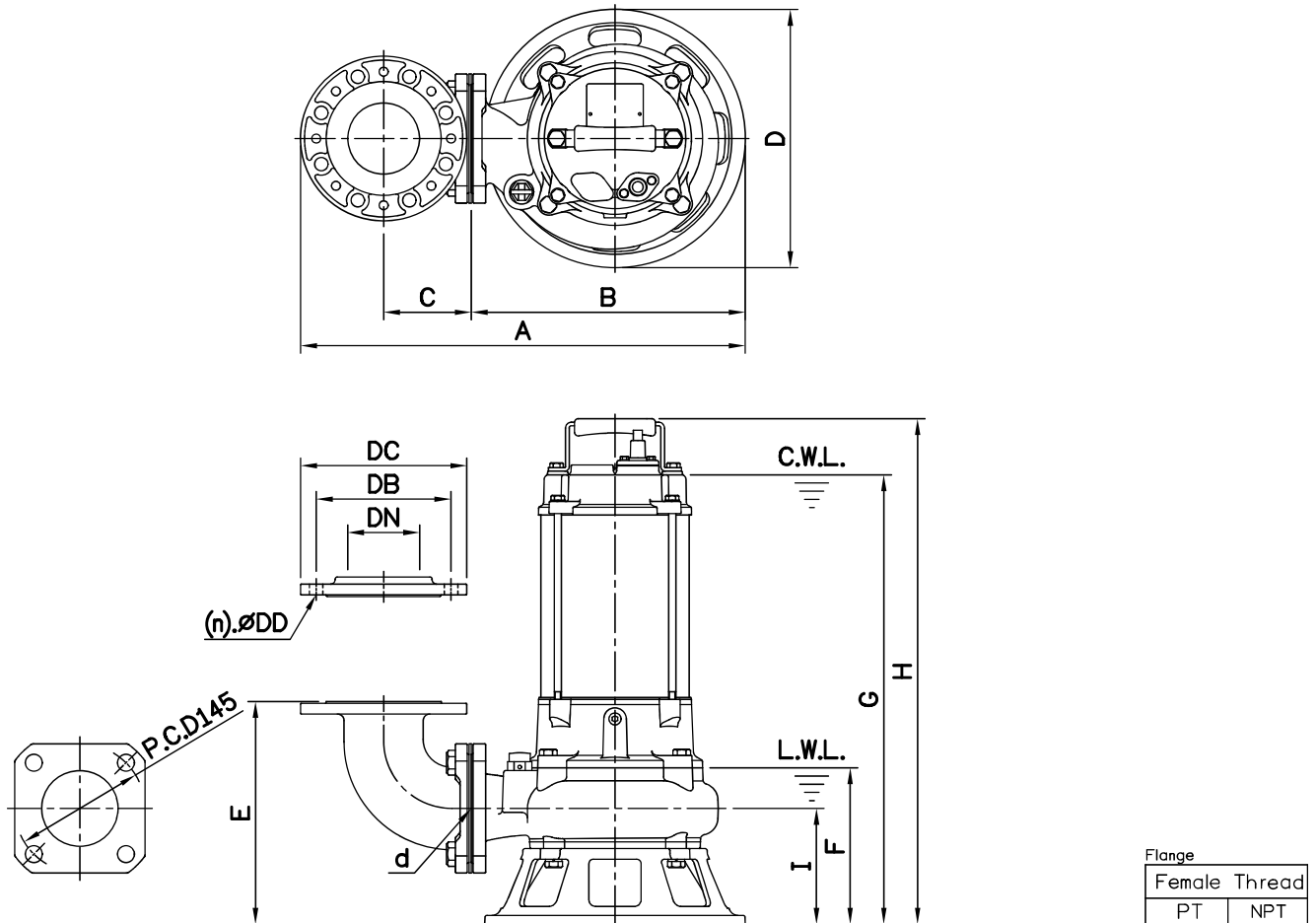


DIMENSIONS

NO: S3SFP237032-00

MODEL: 80SFP23.7

3Ø



Dimensions-mm

Model	d	A	B	C	D	E	F	G	H	I	WT1	Elbow (Flange)Set	DN	DB	DC	DD	(n)QTY	WT2
80SFP23.7	80	495	305	98	290	250	176	505	568	130	43	ESB3-150K	80	150	185	15	8	7

Weight:kg

Dimensions-inch

Model	d	A	B	C	D	E	F	G	H	I	WT1	Elbow (Flange)Set	DN	DB	DC	DD	(n)QTY	WT2
80SFP23.7	3	19½	12	3⅞	11¼	9⅞	6⅞	19⅞	22⅞	5⅞	95	ESB3-150K	3	5⅞	7⅞	⅝	8	16

Weight:lb

C.W.L.:Continuous Running Water Level
L.W.L.:Lowest Running Water Level

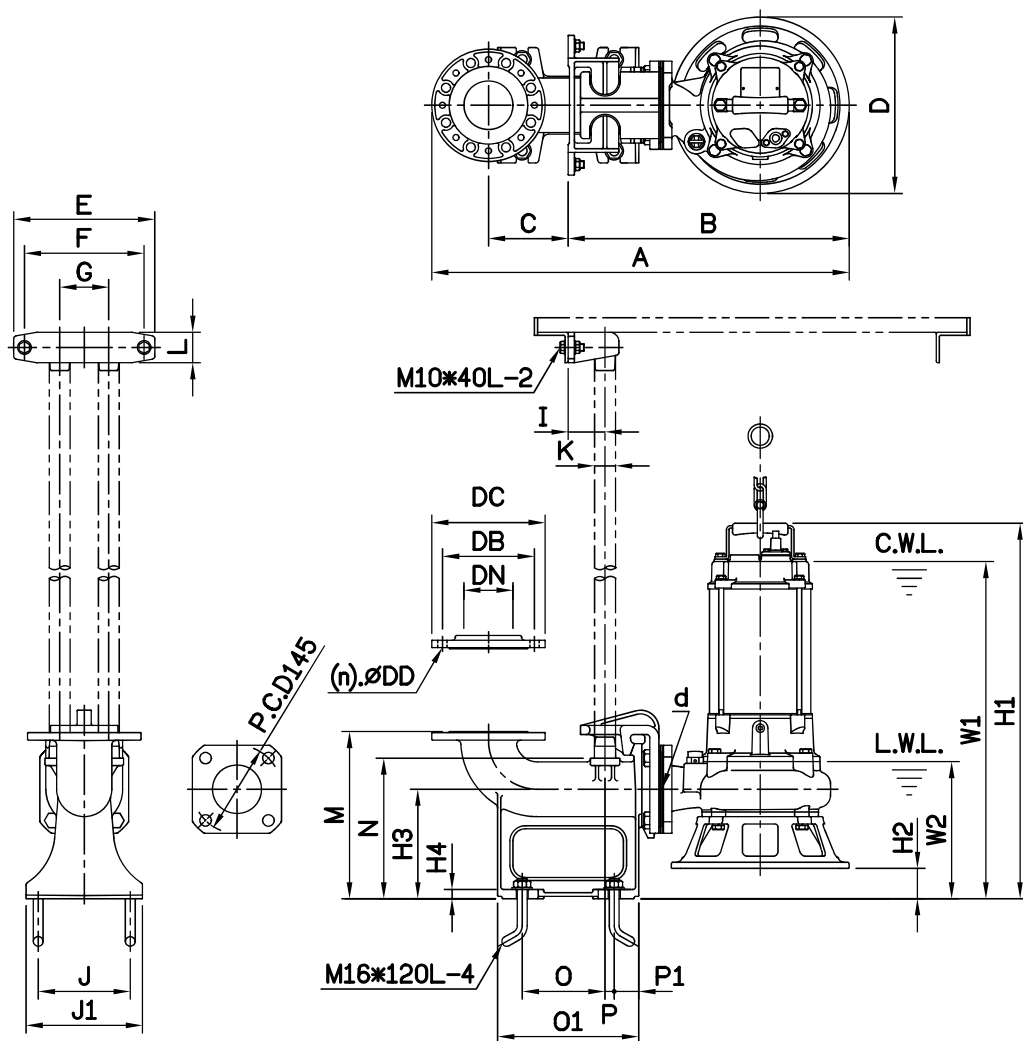
WT1:Pump Weight(Without Cable)
WT2:Elbow Set Weight

DIMENSIONS

NO: T3SFP237032-00

MODEL: 80SFP23.7

3Ø



Flange	
Female Thread	
PT	NPT

Dimensions-mm

Elbow (Flange)Set	DN	DB	DC	DD	(n)QTY
ESF3-150	80	150	185	15	8

Dimensions-inch

Elbow (Flange)Set	DN	DB	DC	DD	(n)QTY
ESF3-150	3	5 ¹⁵ / ₁₆	7 ⁵ / ₁₆	9 ¹ / ₁₆	8

Dimensions-mm

Model	d	A	B	C	D	E	F	G	I	J	J1	K	L	M	N	O	O1	P	P1	W1	W2	H1	H2	H3	H4	WT1	Weight:kg	
																											GRS Set	WT2
80SFP23.7	80	681	458	130	290	230	195	80	60	150	190	1 ¹ / ₄	50	275	231	135	230	15	40	555	226	618	50	180	15	43	ST80D	22

Dimensions-inch

Model	d	A	B	C	D	E	F	G	I	J	J1	K	L	M	N	O	O1	P	P1	W1	W2	H1	H2	H3	H4	WT1	Weight:lb	
																											GRS Set	WT2
80SFP23.7	3	26 ¹ / ₈	18 ¹ / ₁₆	5 ¹ / ₈	11 ¹ / ₁₆	9 ¹ / ₁₆	7 ¹¹ / ₁₆	3 ³ / ₈	2 ³ / ₈	5 ¹⁵ / ₁₆	7 ¹ / ₂	1 ¹ / ₄	2	10 ³ / ₁₆	9 ¹ / ₁₆	5 ¹ / ₁₆	9 ¹ / ₁₆	1 ¹ / ₁₆	2 ¹ / ₁₆	21 ¹ / ₁₆	8 ⁷ / ₁₆	24 ⁵ / ₁₆	1 ¹ / ₁₆	7 ¹ / ₁₆	9 ¹ / ₁₆	95	ST80D	49

C.W.L.:Continuous Running Water Level
L.W.L.:Lowest Running Water Level

WT1:Pump Weight(Without Cable)
WT2:GRS Set Weight