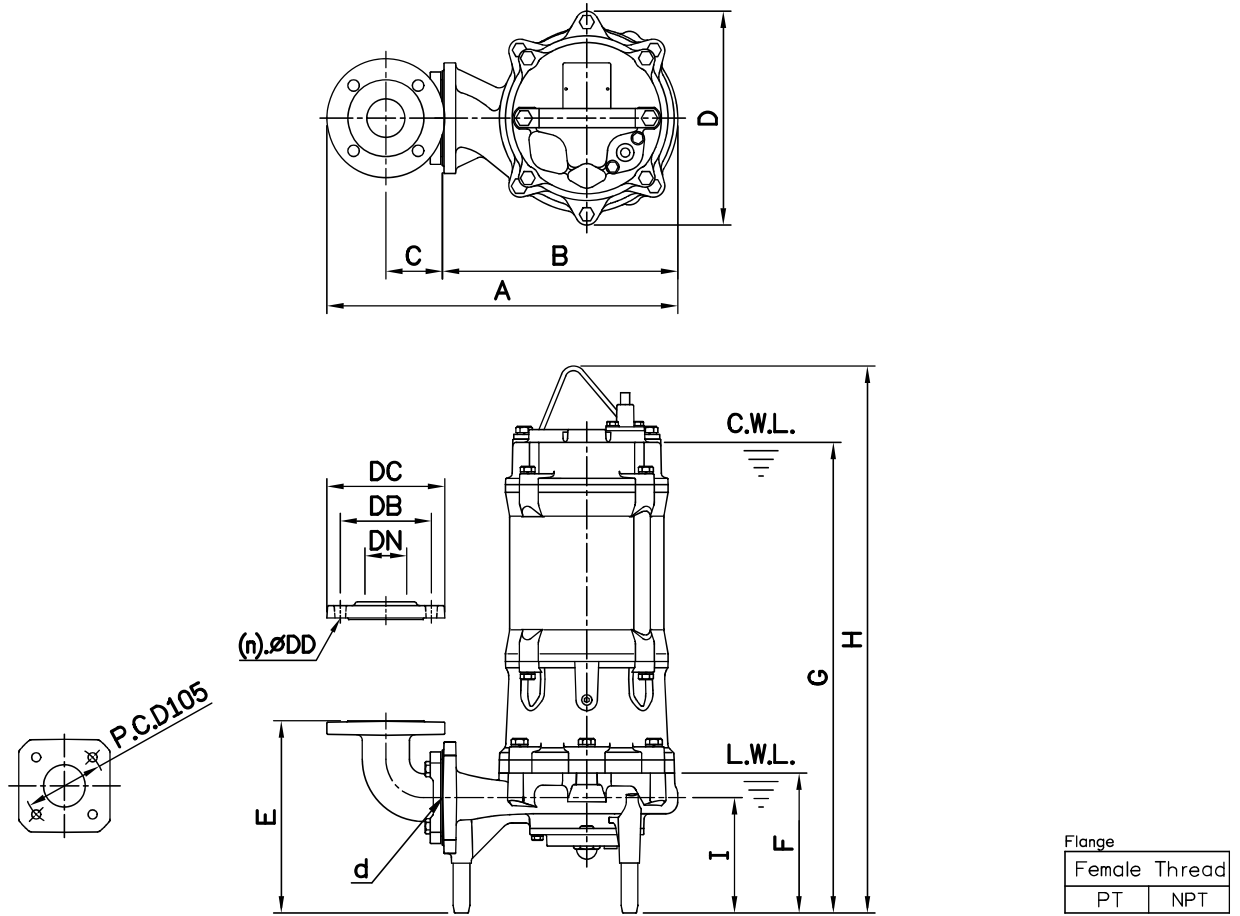


## DIMENSIONS

NO: S2GF0275030-00

MODEL: 50GF25.5 / 25.5H / 27.5 / 27.5H

50Hz 3Ø



Dimensions—mm

Weight:kg

Model	d	A	B	C	D	E	F	G	H	I	WT1	Elbow (Flange)Set	DN	DB	DC	DD	(n)QTY	WT2
50GF25.5 3Ø	50	447	295	75	279	250	182	612	711	150	73	EB2-120	50	120	155	15	4	6
50GF27.5 3Ø	50	462	310	75	279	250	182	612	711	150	80	EB2-120	50	120	155	15	4	6
50GF25.5H 3Ø	50	462	310	75	279	250	182	612	711	150	74	EB2-120	50	120	155	15	4	6
50GF27.5H 3Ø	50	462	310	75	279	250	182	612	711	150	80	EB2-120	50	120	155	15	4	6

Dimensions—inch

Weight:lb

Model	d	A	B	C	D	E	F	G	H	I	WT1	Elbow (Flange)Set	DN	DB	DC	DD	(n)QTY	WT2
50GF25.5 3Ø	2	17 <sup>5</sup> / <sub>8</sub>	11 <sup>5</sup> / <sub>8</sub>	2 <sup>15</sup> / <sub>16</sub>	11	9 <sup>13</sup> / <sub>16</sub>	7 <sup>3</sup> / <sub>16</sub>	24 <sup>1</sup> / <sub>8</sub>	28	5 <sup>7</sup> / <sub>8</sub>	161	EB2-120	2	4 <sup>3</sup> / <sub>4</sub>	6 <sup>1</sup> / <sub>8</sub>	<sup>3</sup> / <sub>16</sub>	4	13
50GF27.5 3Ø	2	18 <sup>3</sup> / <sub>16</sub>	12 <sup>3</sup> / <sub>16</sub>	2 <sup>15</sup> / <sub>16</sub>	11	9 <sup>13</sup> / <sub>16</sub>	7 <sup>3</sup> / <sub>16</sub>	24 <sup>1</sup> / <sub>8</sub>	28	5 <sup>7</sup> / <sub>8</sub>	176	EB2-120	2	4 <sup>3</sup> / <sub>4</sub>	6 <sup>1</sup> / <sub>8</sub>	<sup>3</sup> / <sub>16</sub>	4	13
50GF25.5H 3Ø	2	18 <sup>3</sup> / <sub>16</sub>	12 <sup>3</sup> / <sub>16</sub>	2 <sup>15</sup> / <sub>16</sub>	11	9 <sup>13</sup> / <sub>16</sub>	7 <sup>3</sup> / <sub>16</sub>	24 <sup>1</sup> / <sub>8</sub>	28	5 <sup>7</sup> / <sub>8</sub>	163	EB2-120	2	4 <sup>3</sup> / <sub>4</sub>	6 <sup>1</sup> / <sub>8</sub>	<sup>3</sup> / <sub>16</sub>	4	13
50GF27.5H 3Ø	2	18 <sup>3</sup> / <sub>16</sub>	12 <sup>3</sup> / <sub>16</sub>	2 <sup>15</sup> / <sub>16</sub>	11	9 <sup>13</sup> / <sub>16</sub>	7 <sup>3</sup> / <sub>16</sub>	24 <sup>1</sup> / <sub>8</sub>	28	5 <sup>7</sup> / <sub>8</sub>	176	EB2-120	2	4 <sup>3</sup> / <sub>4</sub>	6 <sup>1</sup> / <sub>8</sub>	<sup>3</sup> / <sub>16</sub>	4	13

C.W.L.:Continuous Running Water Level  
L.W.L.:Lowest Running Water Level

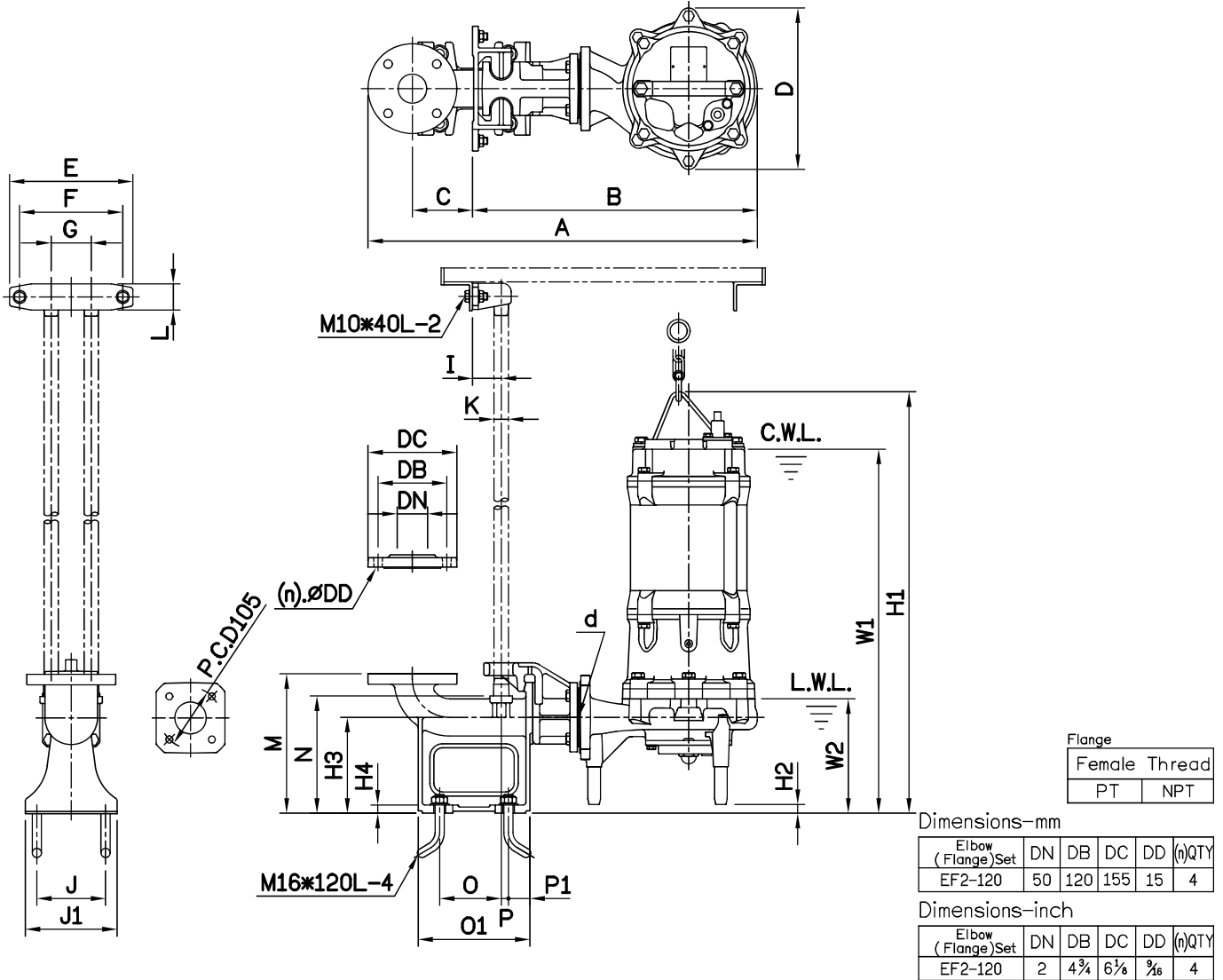
WT1:Pump Weight(Without Cable)  
WT2:Elbow Set Weight

## DIMENSIONS

NO: T2GF0275030-00

MODEL: 50GF25.5 / 25.5H / 27.5 / 27.5H

50Hz 3Ø



Dimensions-mm

Model	d	A	B	C	D	E	F	G	I	J	J1	K	L	M	N	O	O1	P	P1	W1	W2	H1	H2	H3	H4	WT1	Weight:kg	
																											GRS Set	WT2
50GF25.5 3Ø	50	665	482	105	279	215	180	70	50	120	160	1"	45	240	202	108	195	13	38	627	197	726	15	165	14	73	T50G	19
50GF27.5 3Ø	50	679	497	105	279	215	180	70	50	120	160	1"	45	240	202	108	195	13	38	627	197	726	15	165	14	80	T50G	19
50GF25.5H 3Ø	50	679	497	105	279	215	180	70	50	120	160	1"	45	240	202	108	195	13	38	627	197	726	15	165	14	74	T50G	19
50GF27.5H 3Ø	50	679	497	105	279	215	180	70	50	120	160	1"	45	240	202	108	195	13	38	627	197	726	15	165	14	80	T50G	19

Dimensions-inch

Model	d	A	B	C	D	E	F	G	I	J	J1	K	L	M	N	O	O1	P	P1	W1	W2	H1	H2	H3	H4	WT1	Weight:lb	
																											GRS Set	WT2
50GF25.5 3Ø	2	26¾	19	4¼	11	8⅞	7⅞	2¾	1⅝	4¾	6⅝	1	1¾	9⅞	7⅝	4¼	7⅞	½	1½	24⅞	7¾	28⅞	⅝	6½	⅝	161	T50G	42
50GF27.5 3Ø	2	26¾	19⅞	4¼	11	8⅞	7⅞	2¾	1⅝	4¾	6⅝	1	1¾	9⅞	7⅝	4¼	7⅞	½	1½	24⅞	7¾	28⅞	⅝	6½	⅝	176	T50G	42
50GF25.5H 3Ø	2	26¾	19⅞	4¼	11	8⅞	7⅞	2¾	1⅝	4¾	6⅝	1	1¾	9⅞	7⅝	4¼	7⅞	½	1½	24⅞	7¾	28⅞	⅝	6½	⅝	163	T50G	42
50GF27.5H 3Ø	2	26¾	19⅞	4¼	11	8⅞	7⅞	2¾	1⅝	4¾	6⅝	1	1¾	9⅞	7⅝	4¼	7⅞	½	1½	24⅞	7¾	28⅞	⅝	6½	⅝	176	T50G	42

C.W.L.:Continuous Running Water Level  
L.W.L.:Lowest Running Water Level

WT1:Pump Weight(Without Cable)  
WT2:GRS Set Weight