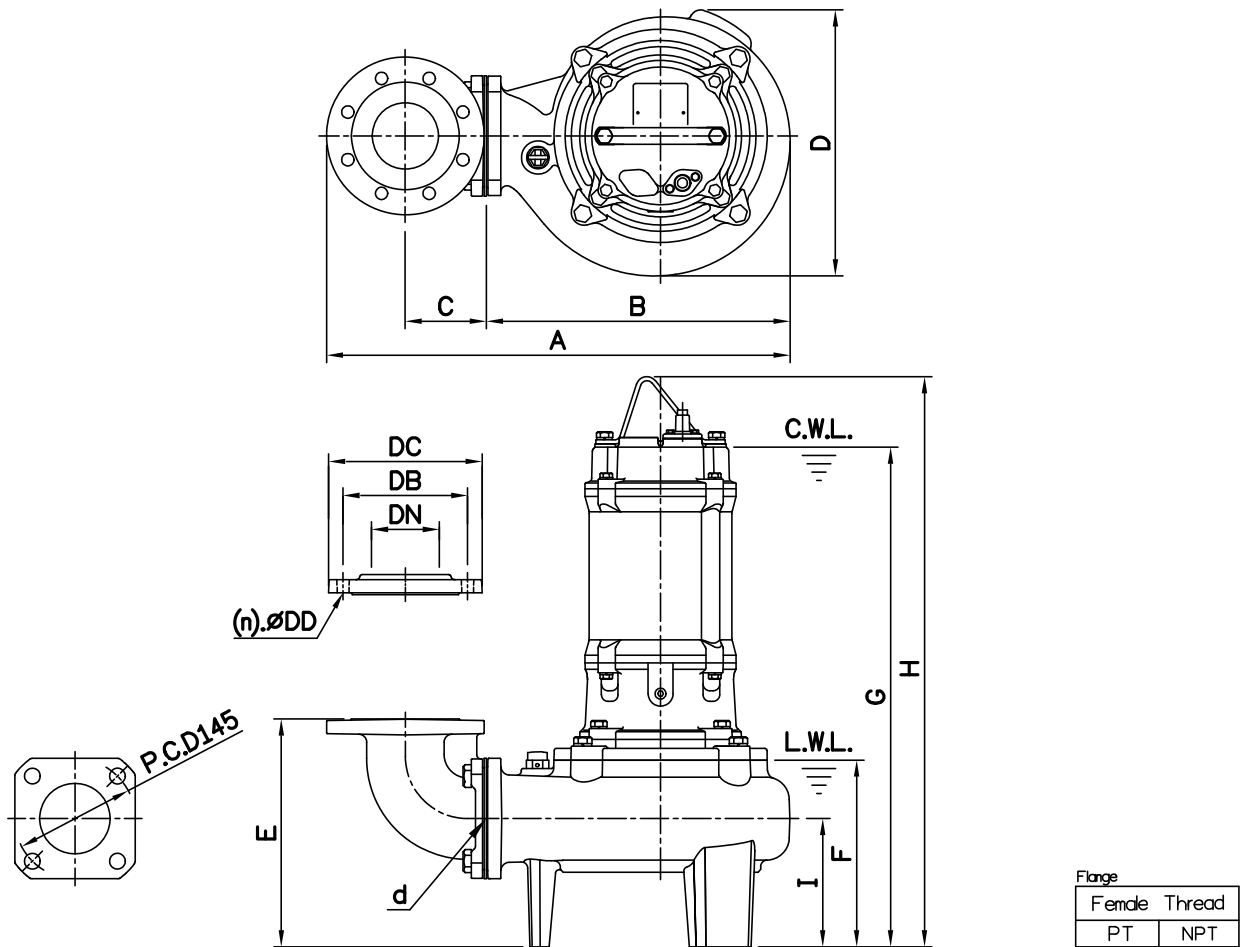


## DIMENSIONS

NO: S3AFC437030-00

MODEL: 80AFC42.2 / 80(100)AFC43.7

50Hz 3Ø



Dimensions—mm

Weight:kg

Model	d	A	B	C	D	E	F	G	H	I	WT1	Elbow (Flange)Set	DN	DB	DC	DD	(n)QTY	WT2
80AFC42.2 3Ø	80	557	365	98	316	265	201	543	628	145	60	EB3-150A	80	150	185	15	8	12
80(100)AFC43.7 3Ø	80	559	366	98	321	275	225	602	687	155	69	EB3-150A	80	150	185	15	8	12
80(100)AFC43.7 3Ø	80	589	366	113	321	275	225	602	687	155	69	EB4-175(145)	100	175	210	15	8	14

Dimensions—inch

Weight:lb

Model	d	A	B	C	D	E	F	G	H	I	WT1	Elbow (Flange)Set	DN	DB	DC	DD	(n)QTY	WT2
80AFC42.2 3Ø	3	21 <sup>15</sup> / <sub>16</sub>	14 <sup>3</sup> / <sub>8</sub>	3 <sup>7</sup> / <sub>8</sub>	12 <sup>7</sup> / <sub>16</sub>	10 <sup>7</sup> / <sub>16</sub>	7 <sup>15</sup> / <sub>16</sub>	21 <sup>3</sup> / <sub>8</sub>	24 <sup>3</sup> / <sub>4</sub>	5 <sup>11</sup> / <sub>16</sub>	132	EB3-150A	3	5 <sup>7</sup> / <sub>8</sub>	7 <sup>5</sup> / <sub>16</sub>	1 <sup>1</sup> / <sub>16</sub>	8	26
80(100)AFC43.7 3Ø	3	22	14 <sup>7</sup> / <sub>16</sub>	3 <sup>7</sup> / <sub>8</sub>	12 <sup>5</sup> / <sub>16</sub>	10 <sup>13</sup> / <sub>16</sub>	8 <sup>7</sup> / <sub>8</sub>	23 <sup>11</sup> / <sub>16</sub>	27 <sup>1</sup> / <sub>16</sub>	6 <sup>1</sup> / <sub>8</sub>	152	EB3-150A	3	5 <sup>7</sup> / <sub>8</sub>	7 <sup>5</sup> / <sub>16</sub>	1 <sup>1</sup> / <sub>16</sub>	8	26
80(100)AFC43.7 3Ø	3	23 <sup>7</sup> / <sub>16</sub>	14 <sup>7</sup> / <sub>16</sub>	4 <sup>7</sup> / <sub>16</sub>	12 <sup>5</sup> / <sub>16</sub>	10 <sup>13</sup> / <sub>16</sub>	8 <sup>7</sup> / <sub>8</sub>	23 <sup>11</sup> / <sub>16</sub>	27 <sup>1</sup> / <sub>16</sub>	6 <sup>1</sup> / <sub>8</sub>	152	EB4-175(145)	4	6 <sup>7</sup> / <sub>8</sub>	8 <sup>3</sup> / <sub>4</sub>	1 <sup>1</sup> / <sub>16</sub>	8	31

C.W.L.:Continuous Running Water Level  
L.W.L.:Lowest Running Water Level

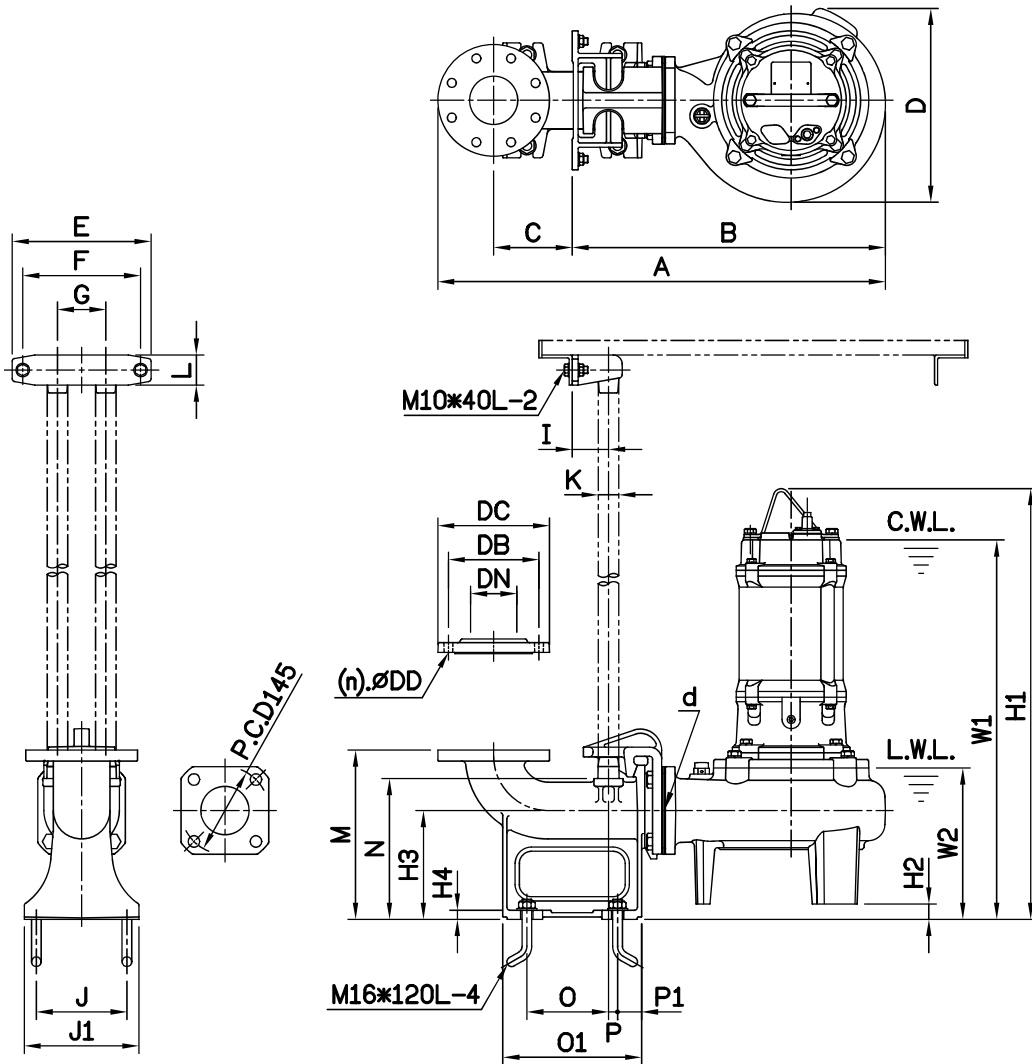
WT1:Pump Weight(Without Cable)  
WT2:Elbow Set Weight

## DIMENSIONS

NO: T3AFC437030-00

MODEL: 80AFC42.2 / 80(100)AFC43.7

50Hz 3Ø



Flange	
Female Thread	
PT	NPT

Dimensions—mm

Elbow (Flange) Set	DN	DB	DC	DD	(n)QTY
EF3-150	80	150	185	15	8
EF4-175	100	175	210	15	8

Dimensions—inch

Elbow (Flange) Set	DN	DB	DC	DD	(n)QTY
EF3-150	3	5 <sup>7</sup> / <sub>16</sub>	7 <sup>7</sup> / <sub>16</sub>	9 <sup>1</sup> / <sub>16</sub>	8
EF4-175	4	6 <sup>7</sup> / <sub>16</sub>	8 <sup>1</sup> / <sub>4</sub>	9 <sup>1</sup> / <sub>16</sub>	8

Dimensions—mm

Model	d	A	B	C	D	E	F	G	I	J	J1	K	L	M	N	O	O1	P	P1	W1	W2	H1	H2	H3	H4	WT1	GRS Set	WT2
80AFC42.2 3Ø	80	740	517	130	316	230	195	80	60	150	190	1 <sup>1</sup> / <sub>4</sub>	50	280	233	135	230	15	40	578	236	663	35	180	15	60	T80D	27
80(100)AFC43.7 3Ø	80	741	519	130	321	230	195	80	60	150	190	1 <sup>1</sup> / <sub>4</sub>	50	280	233	135	230	15	40	628	251	713	26	180	15	69	T80D	27
80(100)AFC43.7 3Ø	80	773	519	130	321	230	195	80	60	170	210	1 <sup>1</sup> / <sub>4</sub>	50	285	233	155	250	15	40	628	251	713	26	180	15	69	T100(80)B	30

Weight:kg

Dimensions—inch

Model	d	A	B	C	D	E	F	G	I	J	J1	K	L	M	N	O	O1	P	P1	W1	W2	H1	H2	H3	H4	WT1	GRS Set	WT2
80AFC42.2 3Ø	3	29 <sup>1</sup> / <sub>8</sub>	20 <sup>3</sup> / <sub>16</sub>	5 <sup>1</sup> / <sub>8</sub>	12 <sup>7</sup> / <sub>16</sub>	9 <sup>1</sup> / <sub>16</sub>	7 <sup>7</sup> / <sub>16</sub>	3 <sup>1</sup> / <sub>8</sub>	3 <sup>3</sup> / <sub>8</sub>	5 <sup>7</sup> / <sub>8</sub>	7 <sup>1</sup> / <sub>2</sub>	1 <sup>1</sup> / <sub>4</sub>	2	11	9 <sup>3</sup> / <sub>16</sub>	5 <sup>5</sup> / <sub>16</sub>	9 <sup>1</sup> / <sub>16</sub>	1 <sup>1</sup> / <sub>8</sub>	1 <sup>1</sup> / <sub>8</sub>	22 <sup>3</sup> / <sub>4</sub>	9 <sup>5</sup> / <sub>16</sub>	26 <sup>1</sup> / <sub>8</sub>	1 <sup>1</sup> / <sub>8</sub>	7 <sup>1</sup> / <sub>16</sub>	9 <sup>1</sup> / <sub>16</sub>	132	T80D	60
80(100)AFC43.7 3Ø	3	29 <sup>3</sup> / <sub>16</sub>	20 <sup>7</sup> / <sub>16</sub>	5 <sup>1</sup> / <sub>8</sub>	12 <sup>5</sup> / <sub>8</sub>	9 <sup>1</sup> / <sub>16</sub>	7 <sup>1</sup> / <sub>16</sub>	3 <sup>1</sup> / <sub>8</sub>	3 <sup>3</sup> / <sub>8</sub>	3 <sup>3</sup> / <sub>8</sub>	7 <sup>1</sup> / <sub>2</sub>	1 <sup>1</sup> / <sub>4</sub>	2	11	9 <sup>3</sup> / <sub>16</sub>	5 <sup>5</sup> / <sub>16</sub>	9 <sup>1</sup> / <sub>16</sub>	1 <sup>1</sup> / <sub>8</sub>	1 <sup>1</sup> / <sub>8</sub>	24 <sup>3</sup> / <sub>4</sub>	9 <sup>7</sup> / <sub>8</sub>	28 <sup>1</sup> / <sub>16</sub>	1	7 <sup>1</sup> / <sub>16</sub>	9 <sup>1</sup> / <sub>16</sub>	152	T80D	60
80(100)AFC43.7 3Ø	3	30 <sup>1</sup> / <sub>16</sub>	20 <sup>7</sup> / <sub>16</sub>	5 <sup>1</sup> / <sub>8</sub>	12 <sup>5</sup> / <sub>8</sub>	9 <sup>1</sup> / <sub>16</sub>	7 <sup>1</sup> / <sub>16</sub>	3 <sup>1</sup> / <sub>8</sub>	3 <sup>3</sup> / <sub>8</sub>	6 <sup>1</sup> / <sub>16</sub>	8 <sup>1</sup> / <sub>4</sub>	1 <sup>1</sup> / <sub>4</sub>	2	11 <sup>1</sup> / <sub>4</sub>	9 <sup>3</sup> / <sub>16</sub>	6 <sup>1</sup> / <sub>8</sub>	9 <sup>1</sup> / <sub>16</sub>	1 <sup>1</sup> / <sub>8</sub>	1 <sup>1</sup> / <sub>8</sub>	24 <sup>3</sup> / <sub>4</sub>	9 <sup>7</sup> / <sub>8</sub>	28 <sup>1</sup> / <sub>16</sub>	1	7 <sup>1</sup> / <sub>16</sub>	9 <sup>1</sup> / <sub>16</sub>	152	T100(80)B	66

C.W.L.:Continuous Running Water Level  
L.W.L.:Lowest Running Water Level

WT1:Pump Weight(Without Cable)  
WT2:Elbow Set Weight