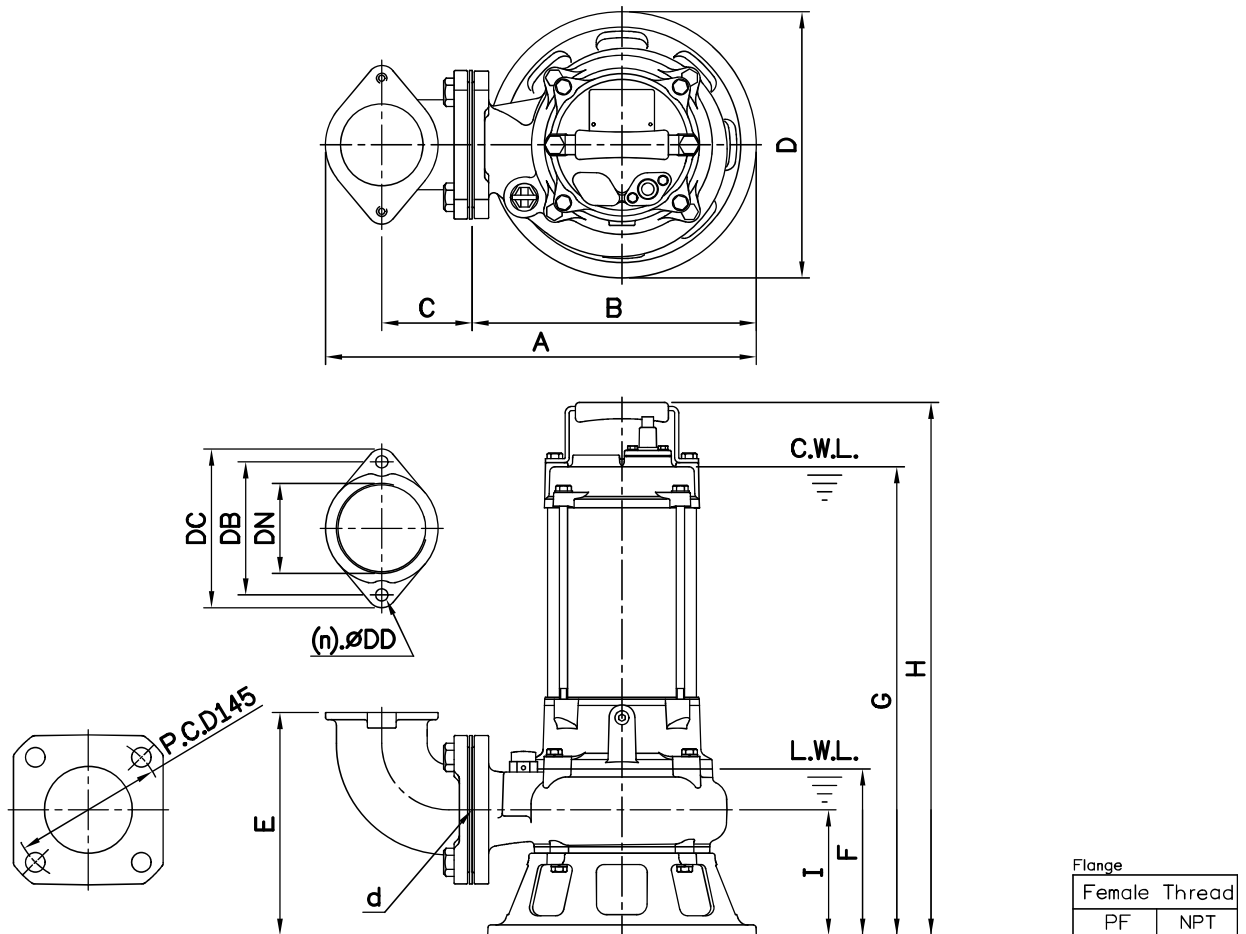


## DIMENSIONS

NO: S3FNP222032-00

MODEL: FN-32P / 33P

1Ø / 3Ø



Dimensions—mm

Weight:kg

Model	d	A	B	C	D	E	F	G	H	I	WT1	Elbow (Flange)Set	DN	DB	DC	DD	(n)QTY	WT2
FN-32P 1Ø	80	417	275	88	260	218	163	527	590	123	34	EB3-130	80	130	155	12	2	5
FN-32P 3Ø	80	417	275	88	260	218	163	458	521	123	30	EB3-130	80	130	155	12	2	5
FN-33P 1Ø	80	417	275	88	260	218	163	539	602	123	37	EB3-130	80	130	155	12	2	5
FN-33P 3Ø	80	417	275	88	260	218	163	458	521	123	32	EB3-130	80	130	155	12	2	5

Dimensions—inch

Weight:lb

Model	d	A	B	C	D	E	F	G	H	I	WT1	Elbow (Flange)Set	DN	DB	DC	DD	(n)QTY	WT2
FN-32P 1Ø	3	16 <sup>7</sup> / <sub>16</sub>	10 <sup>3</sup> / <sub>16</sub>	3 <sup>7</sup> / <sub>16</sub>	10 <sup>1</sup> / <sub>4</sub>	8 <sup>5</sup> / <sub>16</sub>	6 <sup>7</sup> / <sub>16</sub>	20 <sup>3</sup> / <sub>4</sub>	23 <sup>3</sup> / <sub>4</sub>	4 <sup>13</sup> / <sub>16</sub>	75	EB3-130	3	5 <sup>1</sup> / <sub>8</sub>	6 <sup>1</sup> / <sub>8</sub>	1/2	2	11
FN-32P 3Ø	3	16 <sup>7</sup> / <sub>16</sub>	10 <sup>3</sup> / <sub>16</sub>	3 <sup>7</sup> / <sub>16</sub>	10 <sup>1</sup> / <sub>4</sub>	8 <sup>5</sup> / <sub>16</sub>	6 <sup>7</sup> / <sub>16</sub>	18 <sup>1</sup> / <sub>16</sub>	20 <sup>1</sup> / <sub>2</sub>	4 <sup>13</sup> / <sub>16</sub>	66	EB3-130	3	5 <sup>1</sup> / <sub>8</sub>	6 <sup>1</sup> / <sub>8</sub>	1/2	2	11
FN-33P 1Ø	3	16 <sup>7</sup> / <sub>16</sub>	10 <sup>3</sup> / <sub>16</sub>	3 <sup>7</sup> / <sub>16</sub>	10 <sup>1</sup> / <sub>4</sub>	8 <sup>5</sup> / <sub>16</sub>	6 <sup>7</sup> / <sub>16</sub>	21 <sup>1</sup> / <sub>4</sub>	23 <sup>3</sup> / <sub>4</sub>	4 <sup>13</sup> / <sub>16</sub>	82	EB3-130	3	5 <sup>1</sup> / <sub>8</sub>	6 <sup>1</sup> / <sub>8</sub>	1/2	2	11
FN-33P 3Ø	3	16 <sup>7</sup> / <sub>16</sub>	10 <sup>3</sup> / <sub>16</sub>	3 <sup>7</sup> / <sub>16</sub>	10 <sup>1</sup> / <sub>4</sub>	8 <sup>5</sup> / <sub>16</sub>	6 <sup>7</sup> / <sub>16</sub>	18 <sup>1</sup> / <sub>16</sub>	20 <sup>1</sup> / <sub>2</sub>	4 <sup>13</sup> / <sub>16</sub>	71	EB3-130	3	5 <sup>1</sup> / <sub>8</sub>	6 <sup>1</sup> / <sub>8</sub>	1/2	2	11

C.W.L.:Continuous Running Water Level  
L.W.L.:Lowest Running Water Level

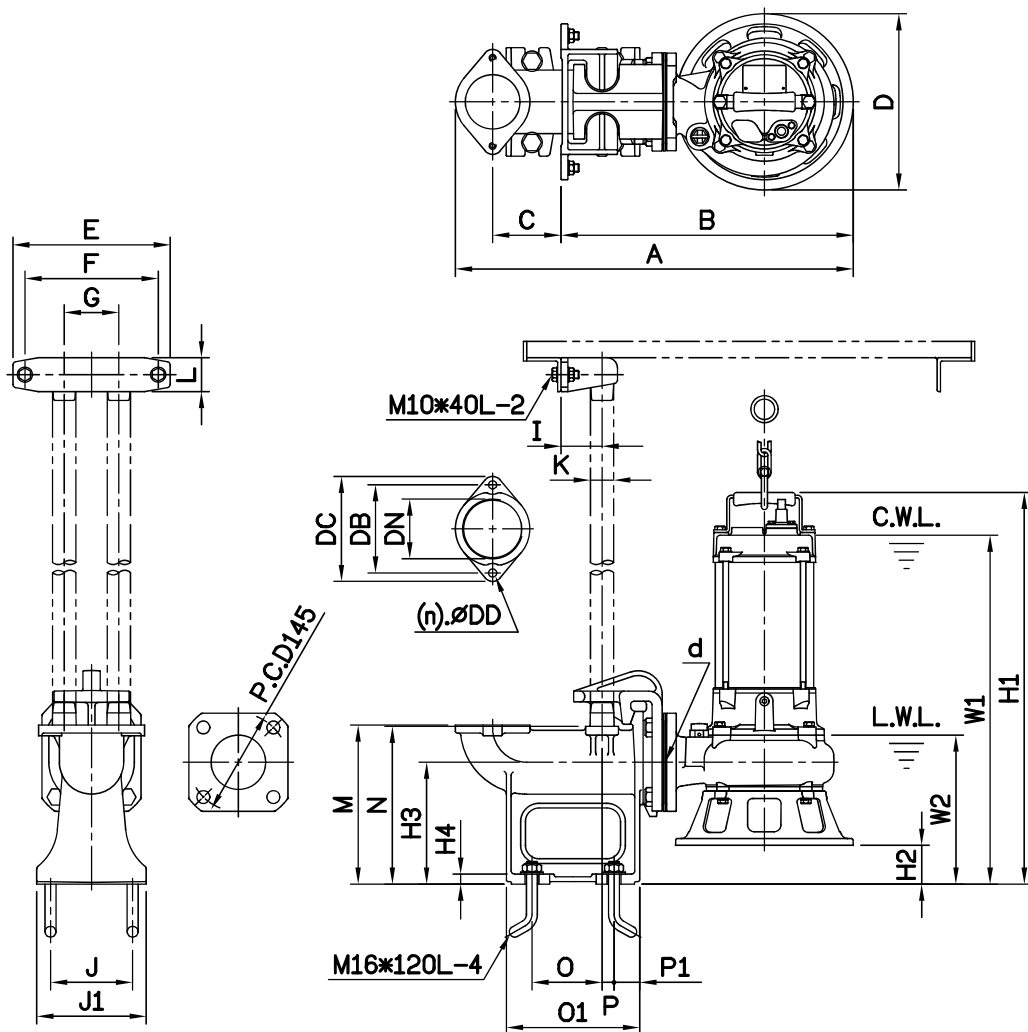
WT1:Pump Weight(Without Cable)  
WT2:Elbow Set Weight

## DIMENSIONS

NO: T3FNP222032-00

MODEL: FN-32P / 33P

1Ø / 3Ø



Flange	
Female Thread	
PF	NPT

Dimensions-mm

Elbow (Flange)Set	DN	DB	DC	DD	(n)QTY
EF3-130	80	130	155	12	2

Dimensions-inch

Elbow (Flange)Set	DN	DB	DC	DD	(n)QTY
EF3-130	3	5 1/8	6 1/8	1/2	2

Dimensions-mm

Model	d	A	B	C	D	E	F	G	I	J	J1	K	L	M	N	O	O1	P	P1	W1	W2	H1	H2	H3	H4	WT1	Weight:kg	
																											GRS Set	WT2
FN-32P 1Ø	80	583	428	100	260	230	195	80	60	120	160	1 1/4	50	235	233	103	195	18	38	584	220	647	58	180	15	34	T2-80	20
FN-33P 1Ø	80	583	428	100	260	230	195	80	60	120	160	1 1/4	50	235	233	103	195	18	38	596	220	659	58	180	15	37	T2-80	20
FN-32P 3Ø	80	583	428	100	260	230	195	80	60	120	160	1 1/4	50	235	233	103	195	18	38	515	220	578	58	180	15	30	T2-80	20
FN-33P 3Ø	80	583	428	100	260	230	195	80	60	120	160	1 1/4	50	235	233	103	195	18	38	515	220	578	58	180	15	32	T2-80	20

Dimensions-inch

Model	d	A	B	C	D	E	F	G	I	J	J1	K	L	M	N	O	O1	P	P1	W1	W2	H1	H2	H3	H4	WT1	Weight:lb	
																											GRS Set	WT2
FN-32P 1Ø	3	22 7/8	16 5/8	3 15/16	10 1/4	9 1/16	7 11/16	3 3/8	2 3/8	4 3/4	6 1/8	1 1/4	2	9 3/4	9 3/16	4 1/16	7 11/16	1 1/8	1 1/2	23	8 11/16	25 1/2	2 5/16	7 1/16	9/16	75	T2-80	43
FN-33P 1Ø	3	22 7/8	16 5/8	3 15/16	10 1/4	9 1/16	7 11/16	3 3/8	2 3/8	4 3/4	6 1/8	1 1/4	2	9 3/4	9 3/16	4 1/16	7 11/16	1 1/8	1 1/2	23 1/16	8 11/16	25 5/16	2 5/16	7 1/16	9/16	82	T2-80	43
FN-32P 3Ø	3	22 7/8	16 5/8	3 15/16	10 1/4	9 1/16	7 11/16	3 3/8	2 3/8	4 3/4	6 1/8	1 1/4	2	9 3/4	9 3/16	4 1/16	7 11/16	1 1/8	1 1/2	20 3/4	8 11/16	22 3/4	2 5/16	7 1/16	9/16	66	T2-80	43
FN-33P 3Ø	3	22 7/8	16 5/8	3 15/16	10 1/4	9 1/16	7 11/16	3 3/8	2 3/8	4 3/4	6 1/8	1 1/4	2	9 3/4	9 3/16	4 1/16	7 11/16	1 1/8	1 1/2	20 3/4	8 11/16	22 3/4	2 5/16	7 1/16	9/16	71	T2-80	43

C.W.L.:Continuous Running Water Level  
L.W.L.:Lowest Running Water Level

WT1:Pump Weight(Without Cable)  
WT2:GRS Set Weight