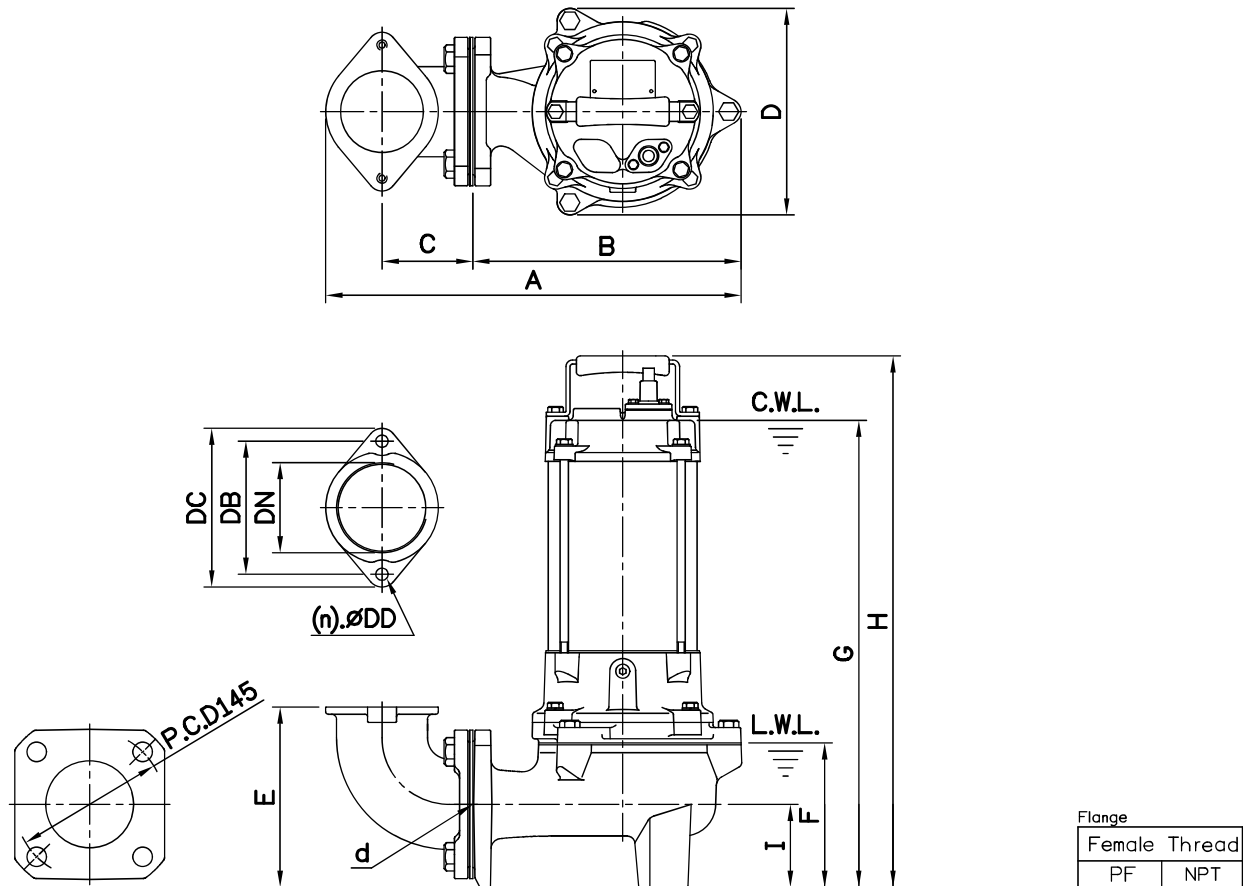


DIMENSIONS

NO: S3FNU222032-00

MODEL: FN-32U / 33U / 32UL / 33UL

1Ø / 3Ø



Dimensions—mm

Weight:kg

Model	d	A	B	C	D	E	F	G	H	I	WT1	Elbow (Flange)Set	DN	DB	DC	DD	(n)QTY	WT2
FN-32U 1Ø	80	402	260	88	202	176	140	525	588	81	32	EB3-130	80	130	155	12	2	5
FN-33U 1Ø	80	402	260	88	202	176	140	537	600	81	35	EB3-130	80	130	155	12	2	5
FN-32UL 1Ø	80	407	265	88	221	215	193	577	640	120	35	EB3-130	80	130	155	12	2	5
FN-33UL 1Ø	80	407	265	88	221	215	193	589	652	120	37	EB3-130	80	130	155	12	2	5
FN-32U 3Ø	80	402	260	88	202	176	141	456	519	81	28	EB3-130	80	130	155	12	2	5
FN-33U 3Ø	80	402	260	88	202	176	141	456	519	81	30	EB3-130	80	130	155	12	2	5
FN-32UL 3Ø	80	407	265	88	221	215	193	508	571	120	34	EB3-130	80	130	155	12	2	5
FN-33UL 3Ø	80	407	265	88	221	215	193	508	571	120	36	EB3-130	80	130	155	12	2	5

Dimensions—inch

Weight:lb

Model	d	A	B	C	D	E	F	G	H	I	WT1	Elbow (Flange)Set	DN	DB	DC	DD	(n)QTY	WT2
FN-32U 1Ø	3	15 ³ / ₁₆	10 ³ / ₄	3 ³ / ₁₆	7 ¹⁵ / ₁₆	6 ¹⁵ / ₁₆	5 ¹ / ₂	22 ¹¹ / ₁₆	23 ³ / ₈	3 ³ / ₁₆	71	EB3-130	3	5 ¹ / ₈	6 ¹ / ₈	1/2	2	11
FN-33U 1Ø	3	15 ³ / ₁₆	10 ³ / ₄	3 ³ / ₁₆	7 ¹⁵ / ₁₆	6 ¹⁵ / ₁₆	5 ¹ / ₂	21 ¹ / ₈	23 ³ / ₈	3 ³ / ₁₆	77	EB3-130	3	5 ¹ / ₈	6 ¹ / ₈	1/2	2	11
FN-32UL 1Ø	3	16	10 ⁷ / ₁₆	3 ⁷ / ₁₆	8 ⁷ / ₁₆	8 ⁷ / ₁₆	7 ⁵ / ₈	22 ⁷ / ₁₆	25 ⁷ / ₁₆	4 ³ / ₄	77	EB3-130	3	5 ¹ / ₈	6 ¹ / ₈	1/2	2	11
FN-33UL 1Ø	3	16	10 ⁷ / ₁₆	3 ⁷ / ₁₆	8 ⁷ / ₁₆	8 ⁷ / ₁₆	7 ⁵ / ₈	23 ⁷ / ₁₆	25 ⁷ / ₁₆	4 ³ / ₄	82	EB3-130	3	5 ¹ / ₈	6 ¹ / ₈	1/2	2	11
FN-32U 3Ø	3	15 ³ / ₁₆	10 ³ / ₄	3 ³ / ₁₆	7 ¹⁵ / ₁₆	6 ¹⁵ / ₁₆	5 ¹ / ₂	17 ¹ / ₈	20 ¹ / ₈	3 ³ / ₁₆	62	EB3-130	3	5 ¹ / ₈	6 ¹ / ₈	1/2	2	11
FN-33U 3Ø	3	15 ³ / ₁₆	10 ³ / ₄	3 ³ / ₁₆	7 ¹⁵ / ₁₆	6 ¹⁵ / ₁₆	5 ¹ / ₂	17 ¹ / ₈	20 ¹ / ₈	3 ³ / ₁₆	66	EB3-130	3	5 ¹ / ₈	6 ¹ / ₈	1/2	2	11
FN-32UL 3Ø	3	16	10 ⁷ / ₁₆	3 ⁷ / ₁₆	8 ⁷ / ₁₆	8 ⁷ / ₁₆	7 ⁵ / ₈	20	22 ¹ / ₂	4 ³ / ₄	75	EB3-130	3	5 ¹ / ₈	6 ¹ / ₈	1/2	2	11
FN-33UL 3Ø	3	16	10 ⁷ / ₁₆	3 ⁷ / ₁₆	8 ⁷ / ₁₆	8 ⁷ / ₁₆	7 ⁵ / ₈	20	22 ¹ / ₂	4 ³ / ₄	79	EB3-130	3	5 ¹ / ₈	6 ¹ / ₈	1/2	2	11

C.W.L.:Continuous Running Water Level
L.W.L.:Lowest Running Water Level

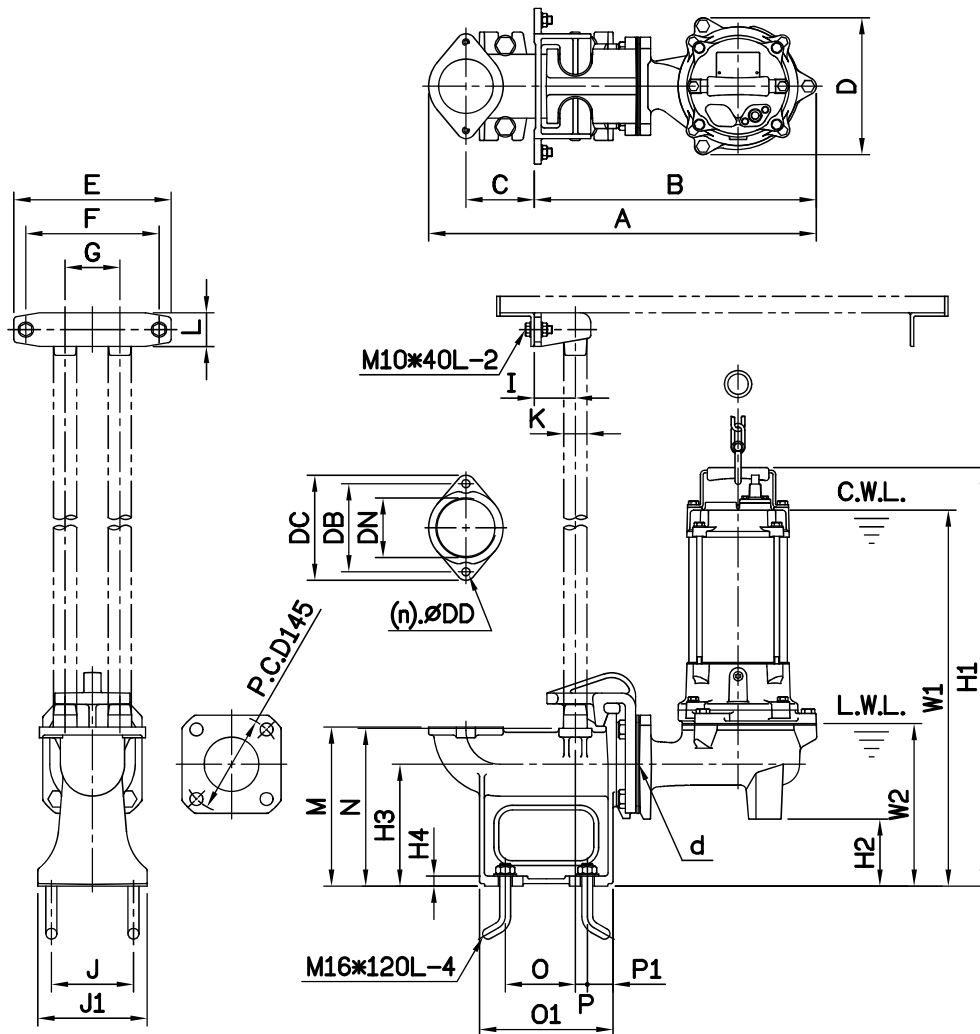
WT1:Pump Weight(Without Cable)
WT2:Elbow Set Weight

DIMENSIONS

NO: T3FNU222032-00

MODEL: FN-32U / 33U / 32UL / 33UL

1Ø / 3Ø



Flange	
Female Thread	
PF	NPT

Dimensions—mm

Elbow (Flange) Set	DN	DB	DC	DD	(n)QTY
EF3-130	80	130	155	12	2

Dimensions—inch

Elbow (Flange) Set	DN	DB	DC	DD	(n)QTY
EF3-130	3	5 1/8	6 1/8	1/2	2

Dimensions—mm

Model	d	A	B	C	D	E	F	G	I	J	J1	K	L	M	N	O	O1	P	P1	W1	W2	H1	H2	H3	H4	WT1	Weight:kg	
																											GRS Set	WT2
FN-32U 1Ø	80	568	413	100	202	230	195	80	60	120	160	1 1/4	50	235	233	103	195	18	38	624	240	685	99	180	15	32	T2-80	20
FN-33U 1Ø	80	568	413	100	202	230	195	80	60	120	160	1 1/4	50	235	233	103	195	18	38	636	240	697	99	180	15	35	T2-80	20
FN-32UL 1Ø	80	574	420	100	202	230	195	80	60	120	160	1 1/4	50	235	233	103	195	18	38	637	253	700	60	180	15	38	T2-80	20
FN-33UL 1Ø	80	574	420	100	202	230	195	80	60	120	160	1 1/4	50	235	233	103	195	18	38	637	253	700	60	180	15	40	T2-80	20
FN-32U 3Ø	80	568	413	100	202	230	195	80	60	120	160	1 1/4	50	235	233	103	195	18	38	555	240	618	99	180	15	28	T2-80	20
FN-33U 3Ø	80	568	413	100	202	230	195	80	60	120	160	1 1/4	50	235	233	103	195	18	38	555	240	618	99	180	15	30	T2-80	20
FN-32UL 3Ø	80	574	420	100	202	230	195	80	60	120	160	1 1/4	50	235	233	103	195	18	38	568	253	631	60	180	15	34	T2-80	20
FN-33UL 3Ø	80	574	420	100	202	230	195	80	60	120	160	1 1/4	50	235	233	103	195	18	38	568	253	631	60	180	15	36	T2-80	20

Dimensions—inch

Model	d	A	B	C	D	E	F	G	I	J	J1	K	L	M	N	O	O1	P	P1	W1	W2	H1	H2	H3	H4	WT1	Weight:lb	
																											GRS Set	WT2
FN-32U 1Ø	3	22 3/8	16 1/4	3 15/16	7 15/16	9 1/16	7 11/16	3 1/8	2 3/8	4 3/4	6 5/16	1 1/4	2	9 3/4	9 3/16	4 1/16	7 7/16	1 1/16	1 1/2	24 1/16	9 7/16	27	3 7/8	7 1/16	9/16	71	T2-80	43
FN-33U 1Ø	3	22 3/8	16 1/4	3 15/16	7 15/16	9 1/16	7 11/16	3 1/8	2 3/8	4 3/4	6 5/16	1 1/4	2	9 3/4	9 3/16	4 1/16	7 7/16	1 1/16	1 1/2	25 1/16	9 7/16	27 7/16	3 3/8	7 1/16	9/16	77	T2-80	43
FN-32UL 1Ø	3	22 3/8	16 3/16	3 15/16	7 15/16	9 1/16	7 11/16	3 1/8	2 3/8	4 3/4	6 5/16	1 1/4	2	9 3/4	9 3/16	4 1/16	7 7/16	1 1/16	1 1/2	25 1/16	9 7/16	27 7/16	2 3/8	7 1/16	9/16	84	T2-80	43
FN-33UL 1Ø	3	22 3/8	16 3/16	3 15/16	7 15/16	9 1/16	7 11/16	3 1/8	2 3/8	4 3/4	6 5/16	1 1/4	2	9 3/4	9 3/16	4 1/16	7 7/16	1 1/16	1 1/2	25 1/16	9 7/16	27 7/16	2 3/8	7 1/16	9/16	88	T2-80	43
FN-32U 3Ø	3	22 3/8	16 1/4	3 15/16	7 15/16	9 1/16	7 11/16	3 1/8	2 3/8	4 3/4	6 5/16	1 1/4	2	9 3/4	9 3/16	4 1/16	7 7/16	1 1/16	1 1/2	21 1/8	9 7/16	24 5/16	3 3/8	7 1/16	9/16	62	T2-80	43
FN-33U 3Ø	3	22 3/8	16 1/4	3 15/16	7 15/16	9 1/16	7 11/16	3 1/8	2 3/8	4 3/4	6 5/16	1 1/4	2	9 3/4	9 3/16	4 1/16	7 7/16	1 1/16	1 1/2	21 1/8	9 7/16	24 5/16	3 3/8	7 1/16	9/16	66	T2-80	43
FN-32UL 3Ø	3	22 5/8	16 3/16	3 15/16	7 15/16	9 1/16	7 11/16	3 1/8	2 3/8	4 3/4	6 5/16	1 1/4	2	9 3/4	9 3/16	4 1/16	7 7/16	1 1/16	1 1/2	22 3/8	9 7/16	24 13/16	2 3/8	7 1/16	9/16	75	T2-80	43
FN-33UL 3Ø	3	22 3/8	16 3/16	3 15/16	7 15/16	9 1/16	7 11/16	3 1/8	2 3/8	4 3/4	6 5/16	1 1/4	2	9 3/4	9 3/16	4 1/16	7 7/16	1 1/16	1 1/2	22 3/8	9 7/16	24 13/16	2 3/8	7 1/16	9/16	79	T2-80	43

C.W.L.:Continuous Running Water Level
L.W.L.:Lowest Running Water Level

WT1:Pump Weight(Without Cable)
WT2:GRS Set Weight