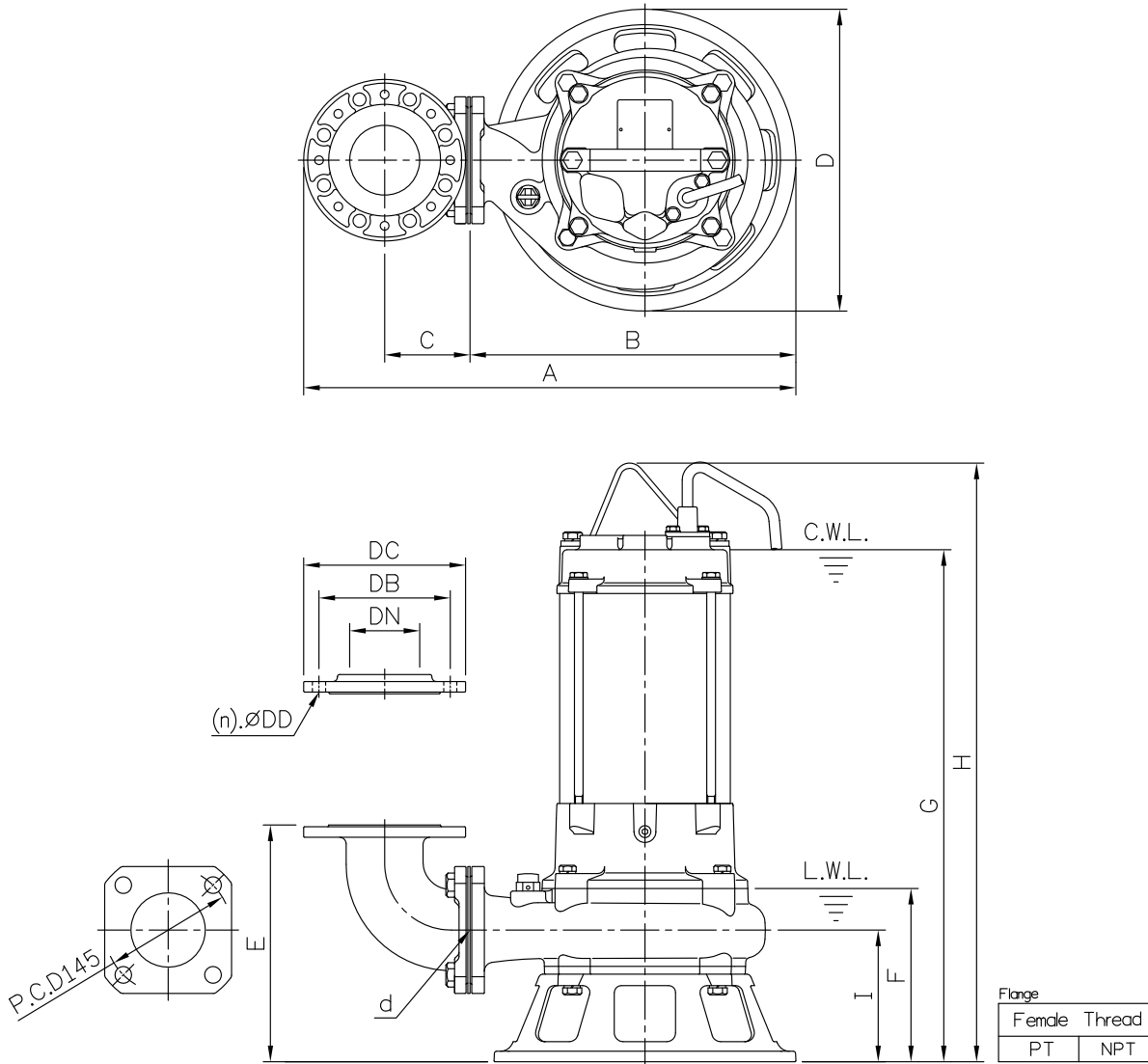


DIMENSIONS

No: S3SFP275030-00

MODEL: 80(100)SFP25.5 & 80(100)SFP27.5

3Ø



Dimensions—mm

Weight:Kg

Model	d	A	B	C	D	E	F	G	H	I	WT1 50Hz/60Hz	Elbow (Flange) Set	DN	DB	DC	DD	(n)QTY	WT2
80(100)SFP25.5	80	563	373	98	345	271	198	585	684	151	67/66	ESB3-150K	80	150	185	15	8	7
80(100)SFP27.5	80	563	373	98	345	271	198	585	684	151	73/72	ESB3-150K	80	150	185	15	8	7
80(100)SFP25.5	80	591	373	113	345	276	198	585	684	151	67/66	ESB4-175(145)K	100	175	210	15	8	10
80(100)SFP27.5	80	591	373	113	345	276	198	585	684	151	73/72	ESB4-175(145)K	100	175	210	15	8	10

Dimensions—inch

Weight:Lbs

Model	d	A	B	C	D	E	F	G	H	I	WT1 50Hz/60Hz	Elbow (Flange) Set	DN	DB	DC	DD	(n)QTY	WT2
80(100)SFP25.5	3	22 ³ / ₁₆	14 ¹ / ₁₆	3 ⁷ / ₈	13 ³ / ₁₆	10 ¹ / ₁₆	7 ³ / ₈	23 ¹ / ₁₆	26 ⁵ / ₁₆	5 ⁵ / ₁₆	148/146	ESB3-150K	3	5 ⁵ / ₁₆	7 ⁵ / ₁₆	9 ¹ / ₁₆	8	16
80(100)SFP27.5	3	22 ³ / ₁₆	14 ¹ / ₁₆	3 ⁷ / ₈	13 ³ / ₁₆	10 ¹ / ₁₆	7 ³ / ₈	23 ¹ / ₁₆	26 ⁵ / ₁₆	5 ⁵ / ₁₆	161/159	ESB3-150K	3	5 ⁵ / ₁₆	7 ⁵ / ₁₆	9 ¹ / ₁₆	8	16
80(100)SFP25.5	3	23 ¹ / ₄	14 ¹ / ₁₆	4 ¹ / ₁₆	13 ³ / ₁₆	10 ⁷ / ₈	7 ³ / ₈	23 ¹ / ₁₆	26 ⁵ / ₁₆	5 ⁵ / ₁₆	148/146	ESB4-175(145)K	4	6 ⁷ / ₈	8 ³ / ₄	9 ¹ / ₁₆	8	21
80(100)SFP27.5	3	23 ¹ / ₄	14 ¹ / ₁₆	4 ¹ / ₁₆	13 ³ / ₁₆	10 ⁷ / ₈	7 ³ / ₈	23 ¹ / ₁₆	26 ⁵ / ₁₆	5 ⁵ / ₁₆	161/159	ESB4-175(145)K	4	6 ⁷ / ₈	8 ³ / ₄	9 ¹ / ₁₆	8	21

C.W.L.:Continuous Running Water Level WT1:Pump Weight(Without Cable)
L.W.L.:Lowest Running Water Level WT2:Elbow Set Weight