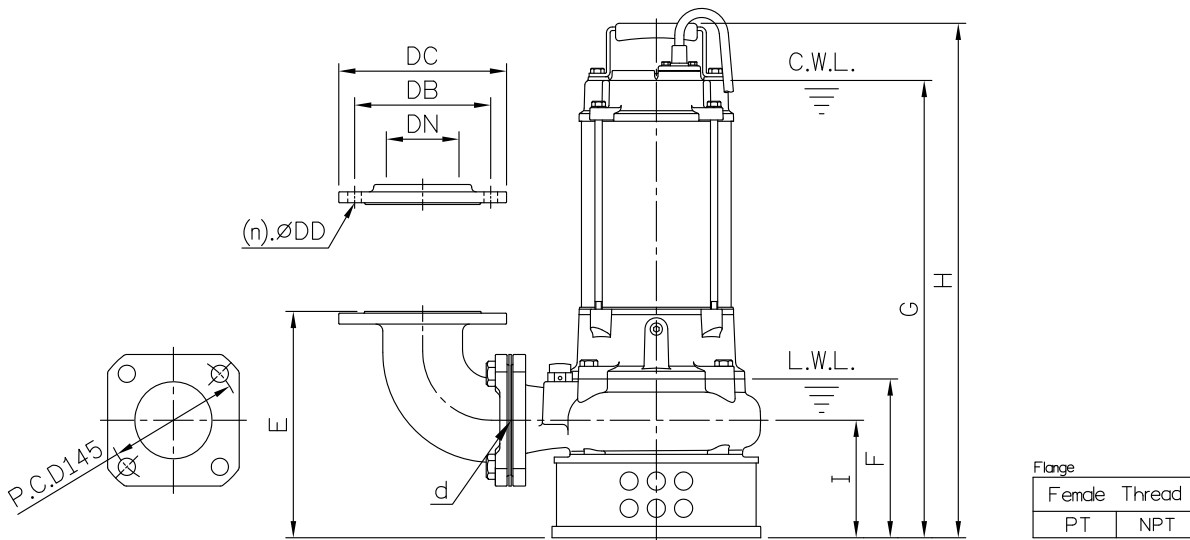
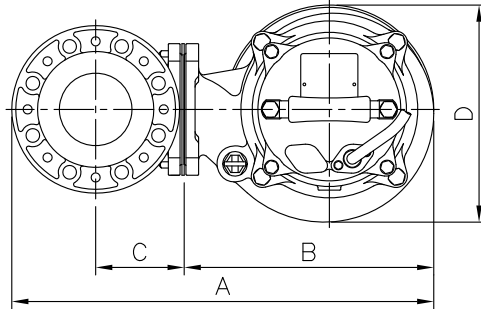


**DIMENSIONS**

**No: S3SA0237030-00**

**MODEL: 80SA23.7**

**3Ø**



Dimensions-mm

Weight:Kg

Model	d	A	B	C	D	E	F	G	H	I	WT1 50Hz/60Hz	Elbow (Flange) Set	DN	DB	DC	DD	(n)QTY	WT2
80SA23.7	80	465	275	98	239	250	176	505	568	130	45/44	ESB3-150K	80	150	185	15	8	7

Dimensions-inch

Weight:Lbs

Model	d	A	B	C	D	E	F	G	H	I	WT1 50Hz/60Hz	Elbow (Flange) Set	DN	DB	DC	DD	(n)QTY	WT2
80SA23.7	3	18 <sup>5</sup> / <sub>16</sub>	10 <sup>13</sup> / <sub>16</sub>	3 <sup>7</sup> / <sub>8</sub>	9 <sup>7</sup> / <sub>16</sub>	9 <sup>13</sup> / <sub>16</sub>	6 <sup>15</sup> / <sub>16</sub>	19 <sup>7</sup> / <sub>8</sub>	22 <sup>3</sup> / <sub>8</sub>	5 <sup>1</sup> / <sub>8</sub>	99/97	ESB3-150K	3	5 <sup>15</sup> / <sub>16</sub>	7 <sup>5</sup> / <sub>16</sub>	9 <sup>1</sup> / <sub>16</sub>	8	16

C.W.L.:Continuous Running Water Level WT1:Pump Weight(Without Cable)  
L.W.L.:Lowest Running Water Level WT2:Elbow Set Weight