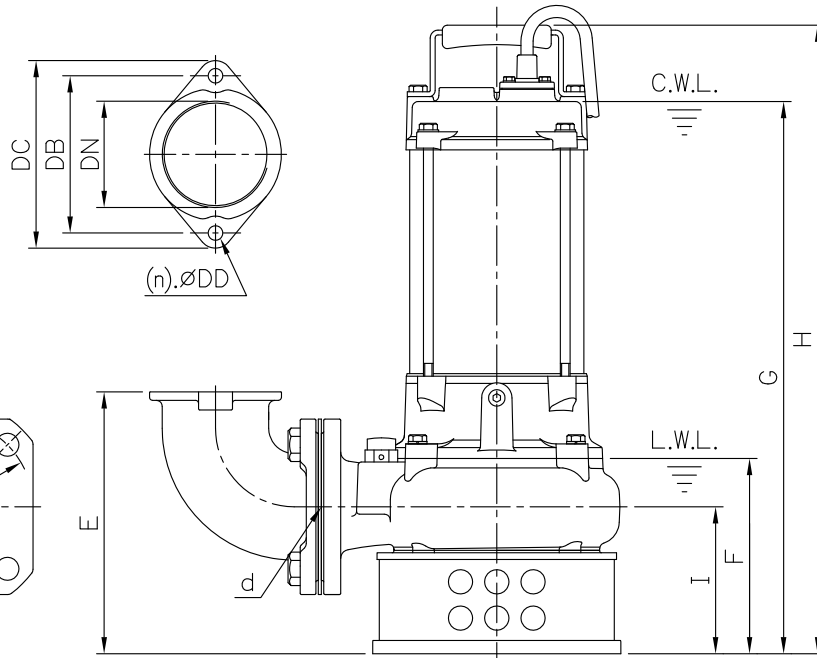
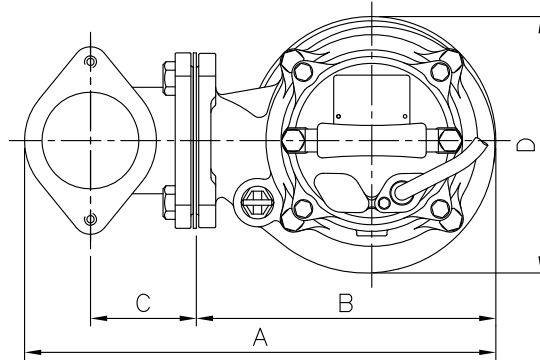


DIMENSIONS

No: S3SA0222030-00

MODEL: 80SA21.5 & 80SA22.2

3Ø



Flange	
Female	Thread
PF	NPT

Dimensions—mm

Weight:kg

Model	d	A	B	C	D	E	F	G	H	I	WT1 50Hz/60Hz	Elbow (Flange) Set	DN	DB	DC	DD	(n)QTY	WT2
80SA21.5	80	390	248	88	212	217	162	457	520	122	30/29	ESB3-130K	80	130	155	12	2	4
80SA22.2	80	390	248	88	212	217	162	457	520	122	33/32	ESB3-130K	80	130	155	12	2	4

Dimensions—inch

Weight:lb

Model	d	A	B	C	D	E	F	G	H	I	WT1 50Hz/60Hz	Elbow (Flange) Set	DN	DB	DC	DD	(n)QTY	WT2
80SA21.5	3	15 ³ / ₈	9 ³ / ₄	3 ⁷ / ₁₆	8 ³ / ₈	8 ⁹ / ₁₆	6 ³ / ₈	18	20 ¹ / ₂	4 ¹³ / ₁₆	66/64	ESB3-130K	3	5 ¹ / ₈	6 ¹ / ₈	1/2	2	9
80SA22.2	3	15 ³ / ₈	9 ³ / ₄	3 ⁷ / ₁₆	8 ³ / ₈	8 ⁹ / ₁₆	6 ³ / ₈	18	20 ¹ / ₂	4 ¹³ / ₁₆	73/71	ESB3-130K	3	5 ¹ / ₈	6 ¹ / ₈	1/2	2	9

C.W.L.:Continuous Running Water Level WT1:Pump Weight(Without Cable)
L.W.L.:Lowest Running Water Level WT2:Elbow Set Weight