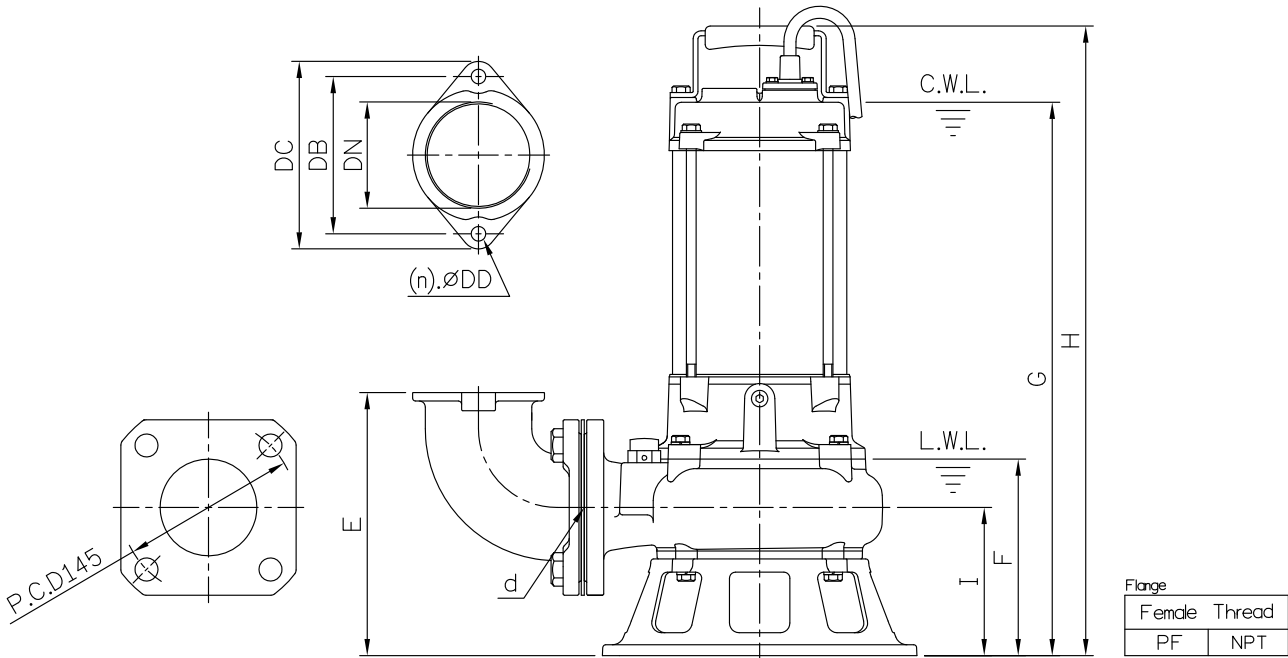
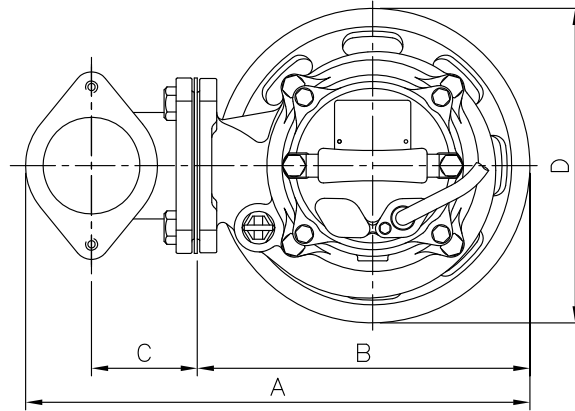


DIMENSIONS

No: S3SFP222030-00

MODEL: 80SFP21.5 & 80SFP22.2

30



Dimensions—mm

Weight:Kg

Model	d	A	B	C	D	E	F	G	H	I	WT1 50Hz/60Hz	Elbow (Flange) Set	DN	DB	DC	DD	(n)QTY	WT2
80SFP21.5	80	417	275	88	260	218	163	458	521	123	29/28	ESB3-130K	80	130	155	12	2	4
80SFP22.2	80	417	275	88	260	218	163	458	521	123	32/31	ESB3-130K	80	130	155	12	2	4

Dimensions—inch

Weight:Lbs

Model	d	A	B	C	D	E	F	G	H	I	WT1 50Hz/60Hz	Elbow (Flange) Set	DN	DB	DC	DD	(n)QTY	WT2
80SFP21.5	3	16 ⁷ / ₁₆	10 ¹³ / ₁₆	3 ⁷ / ₁₆	10 ¹ / ₄	8 ⁹ / ₁₆	6 ⁷ / ₁₆	18 ¹ / ₁₆	20 ¹ / ₂	4 ¹³ / ₁₆	64/62	ESB3-130K	3	5 ¹ / ₈	6 ¹ / ₈	1/2	2	9
80SFP22.2	3	16 ⁷ / ₁₆	10 ¹³ / ₁₆	3 ⁷ / ₁₆	10 ¹ / ₄	8 ⁹ / ₁₆	6 ⁷ / ₁₆	18 ¹ / ₁₆	20 ¹ / ₂	4 ¹³ / ₁₆	71/68	ESB3-130K	3	5 ¹ / ₈	6 ¹ / ₈	1/2	2	9

C.W.L.:Continuous Running Water Level WT1:Pump Weight(Without Cable)
L.W.L.:Lowest Running Water Level WT2:Elbow Set Weight