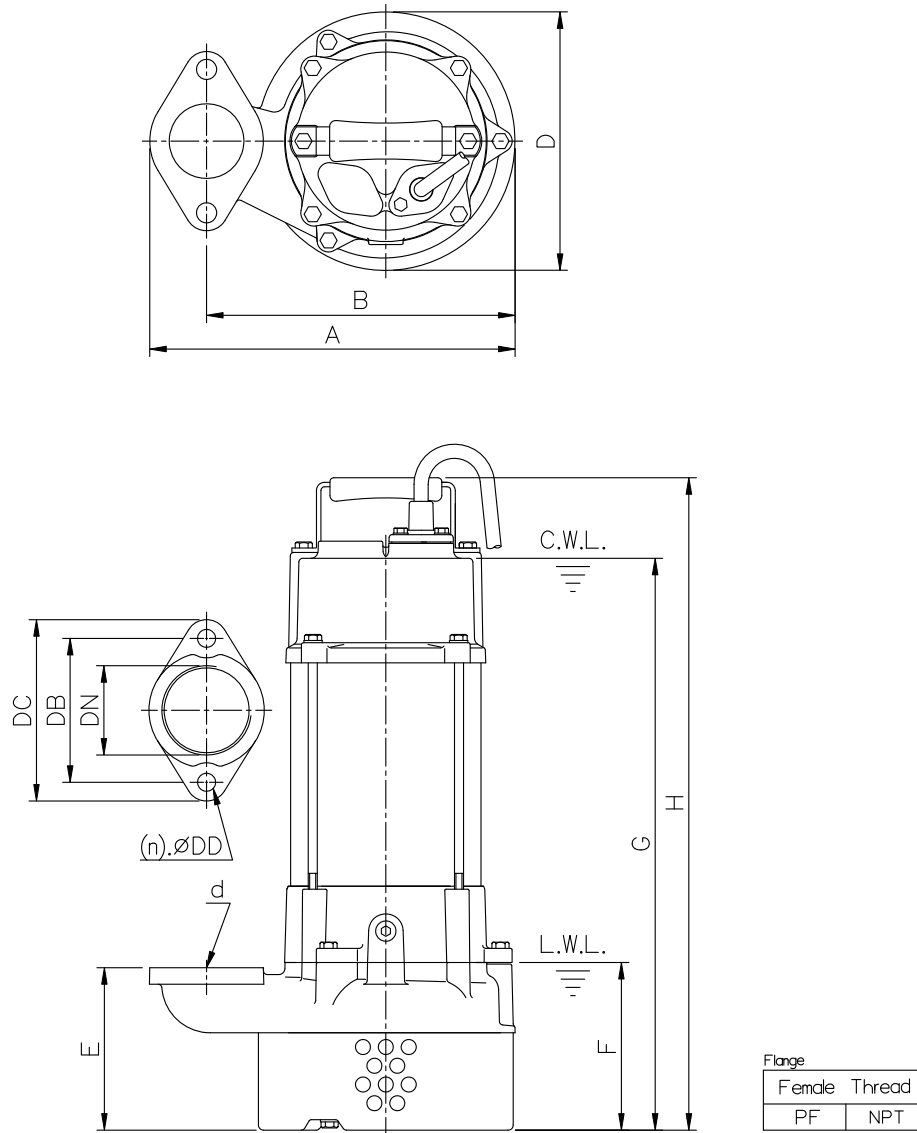


DIMENSIONS

No: S2SA0208A30-00

MODEL:50SA2.4A(SS-05A) & 50SA2.8A(SS-21A)

1Ø & 3Ø



Dimensions-mm

Weight:kg

Model	d	A	B	D	E	F	G	H	WT1	Elbow (Flange) Set	DN	DB	DC	DD	(n)QTY	WT2	
50SA2.4A(SS-05A)	1Ø	50	244	206	172	108	112	382	435	14	ESF2-96K	50	96	121	12	2	1
50SA2.8A(SS-21A)	1Ø	50	244	206	172	108	112	382	435	16	ESF2-96K	50	96	121	12	2	1
50SA2.4A(SS-05A)	3Ø	50	244	206	172	108	112	382	435	14	ESF2-96K	50	96	121	12	2	1
50SA2.8A(SS-21A)	3Ø	50	244	206	172	108	112	382	435	15	ESF2-96K	50	96	121	12	2	1

Dimensions-inch

Weight:lb

Model	d	A	B	D	E	F	G	H	WT1	Elbow (Flange) Set	DN	DB	DC	DD	(n)QTY	WT2	
50SA2.4A(SS-05A)	1Ø	2	9 ⁵ / ₈	8 ¹ / ₈	6 ³ / ₄	4 ¹ / ₄	4 ⁷ / ₁₆	15 ¹ / ₁₆	17 ⁷ / ₈	31	ESF2-96K	2	3 ³ / ₄	4 ³ / ₄	½	2	1
50SA2.8A(SS-21A)	1Ø	2	9 ⁵ / ₈	8 ¹ / ₈	6 ³ / ₄	4 ¹ / ₄	4 ⁷ / ₁₆	15 ¹ / ₁₆	17 ⁷ / ₈	35	ESF2-96K	2	3 ³ / ₄	4 ³ / ₄	½	2	1
50SA2.4A(SS-05A)	3Ø	2	9 ⁵ / ₈	8 ¹ / ₈	6 ³ / ₄	4 ¹ / ₄	4 ⁷ / ₁₆	15 ¹ / ₁₆	17 ⁷ / ₈	31	ESF2-96K	2	3 ³ / ₄	4 ³ / ₄	½	2	1
50SA2.8A(SS-21A)	3Ø	2	9 ⁵ / ₈	8 ¹ / ₈	6 ³ / ₄	4 ¹ / ₄	4 ⁷ / ₁₆	15 ¹ / ₁₆	17 ⁷ / ₈	33	ESF2-96K	2	3 ³ / ₄	4 ³ / ₄	½	2	1

C.W.L.:Continuous Running Water Level WT1:Pump Weight(Without Cable)
 L.W.L.:Lowest Running Water Level WT2:Elbow Set Weight