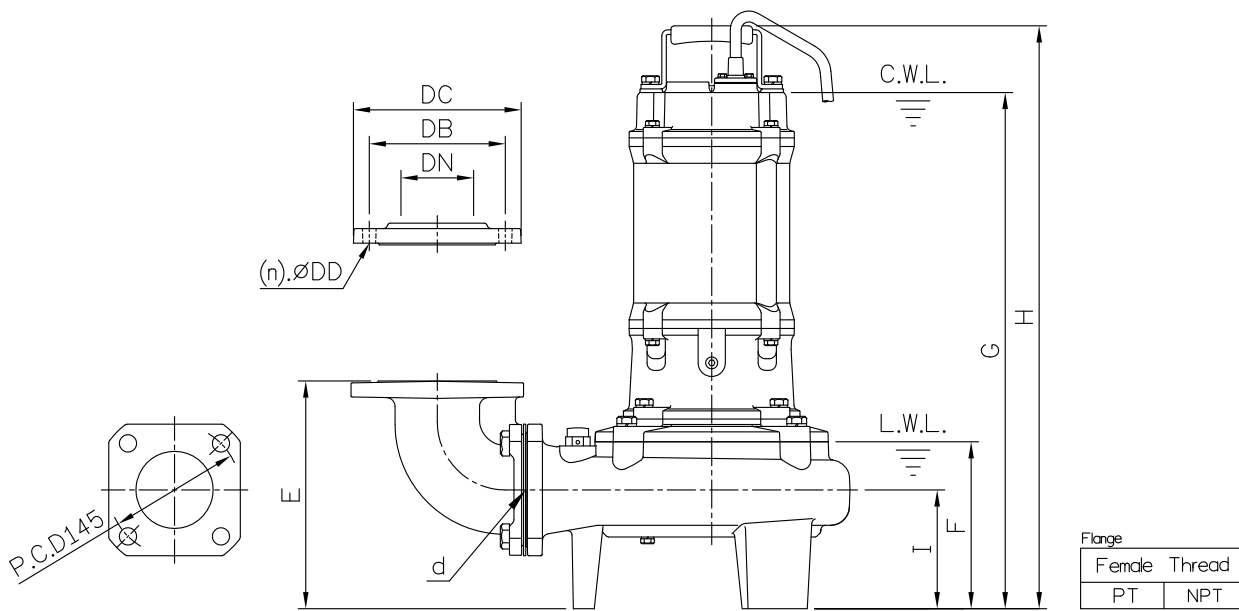
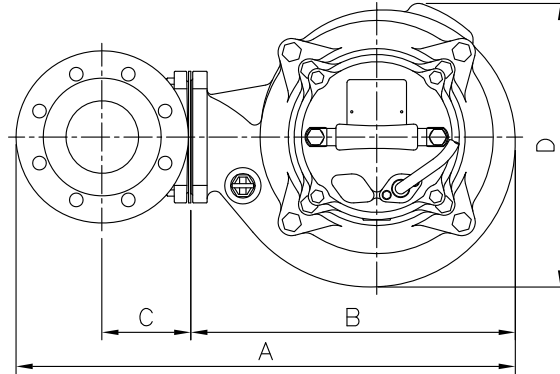


DIMENSIONS

No: S3AFP437030-00

MODEL: 80AFP42.2 & 80(100)AFP43.7

3Ø



Dimensions—mm

Weight:Kg

Model	d	A	B	C	D	E	F	G	H	I	WT1 50Hz/60Hz	Elbow (Flange) Set	DN	DB	DC	DD	(n)QTY	WT2
80AFP42.2	80	550	358	98	313	251	184	529	603	131	58/56	EB3-150A	80	150	185	15	8	12
80(100)AFP43.7	80	550	358	98	313	251	184	569	643	131	67/66	EB3-150A	80	150	185	15	8	12
80(100)AFP43.7	80	581	358	113	313	263	184	569	643	131	67/66	EB4-175(145)	100	175	210	15	8	14

Dimensions—inch

Weight:Lbs

Model	d	A	B	C	D	E	F	G	H	I	WT1 50Hz/60Hz	Elbow (Flange) Set	DN	DB	DC	DD	(n)QTY	WT2
80AFP42.2	3	21 ⁵ / ₁₆	14 ¹ / ₈	3 ⁷ / ₈	12 ⁵ / ₁₆	9 ⁷ / ₈	7 ¹ / ₄	20 ³ / ₁₆	23 ³ / ₄	5 ³ / ₁₆	128/123	EB3-150A	3	5 ⁵ / ₁₆	7 ⁵ / ₁₆	9 ¹ / ₁₆	8	26
80(100)AFP43.7	3	21 ⁵ / ₁₆	14 ¹ / ₈	3 ⁷ / ₈	12 ⁵ / ₁₆	9 ⁷ / ₈	7 ¹ / ₄	22 ³ / ₁₆	25 ⁵ / ₁₆	5 ³ / ₁₆	148/146	EB3-150A	3	5 ⁵ / ₁₆	7 ⁵ / ₁₆	9 ¹ / ₁₆	8	26
80(100)AFP43.7	3	22 ⁷ / ₈	14 ¹ / ₈	4 ⁷ / ₁₆	12 ⁵ / ₁₆	10 ³ / ₈	7 ¹ / ₄	22 ³ / ₁₆	25 ⁵ / ₁₆	5 ³ / ₁₆	148/146	EB4-175(145)	4	6 ⁵ / ₁₆	8 ⁵ / ₁₆	9 ¹ / ₁₆	8	30

C.W.L.:Continuous Running Water Level WT1:Pump Weight(Without Cable)
L.W.L.:Lowest Running Water Level WT2:Elbow Set Weight