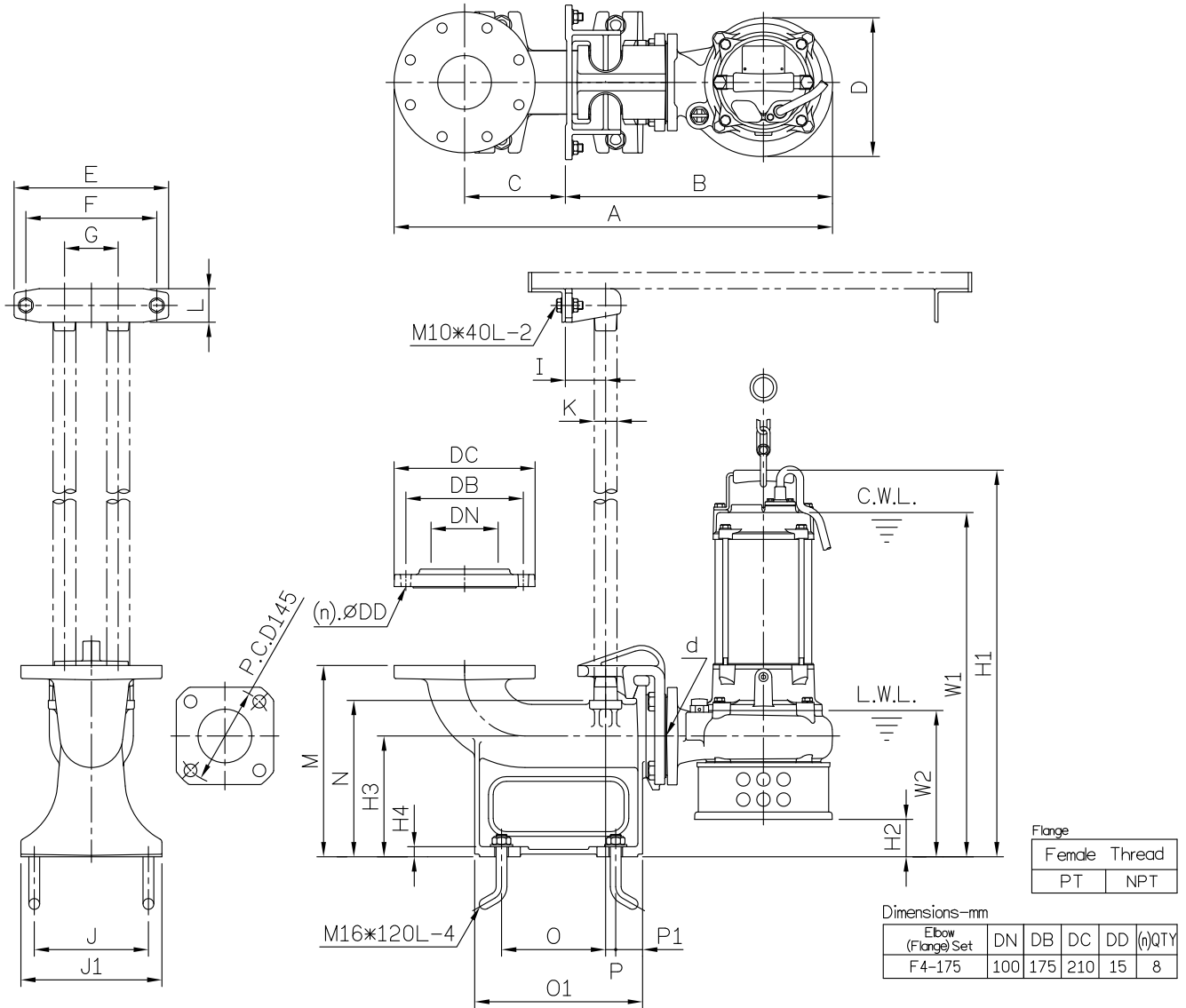


DIMENSIONS

NO: S4AN022203T-00

MODEL: AN-43

1Ø & 3Ø



Dimensions-mm

Weight:Kg

Model	d	A	B	C	D	E	F	G	I	J	J1	K	L	M	N	O	O1	P	P1	W1	W2	H1	H2	H3	H4	WT1	GRS Set	WT2
AN-43 1Ø	80	656	401	150	207	230	195	80	60	170	210	1 1/4"	50	285	233	155	250	15	40	594	217	657	27	180	15	37	T100(80)B	30
AN-43 3Ø	80	656	401	150	207	230	195	80	60	170	210	1 1/4"	50	285	233	155	250	15	40	513	217	576	27	180	15	32	T100(80)B	30

Dimensions-inch

Weight:Lbs

Model	d	A	B	C	D	E	F	G	I	J	J1	K	L	M	N	O	O1	P	P1	W1	W2	H1	H2	H3	H4	WT1	GRS Set	WT2
AN-43 1Ø	3	25 3/16	15 3/16	5 15/16	8 1/8	9 1/16	7 1/16	3 1/8	2 3/8	6 11/16	8 1/4	1 1/4	2	11 1/4	9 3/16	6 1/8	9 3/16	5/8	1 5/8	23 3/8	8 9/16	25 3/8	1 1/16	7 1/16	9/16	82	T100(80)B	67
AN-43 3Ø	3	25 3/16	15 3/16	5 15/16	8 1/8	9 1/16	7 1/16	3 1/8	2 3/8	6 11/16	8 1/4	1 1/4	2	11 1/4	9 3/16	6 1/8	9 3/16	5/8	1 5/8	20 3/16	8 3/16	22 1/16	1 1/16	7 1/16	9/16	71	T100(80)B	67

C.W.L.:Continuous Running Water Level WT1:Pump Weight(Without Cable)
L.W.L.:Lowest Running Water Level WT2:GRS Set Weight