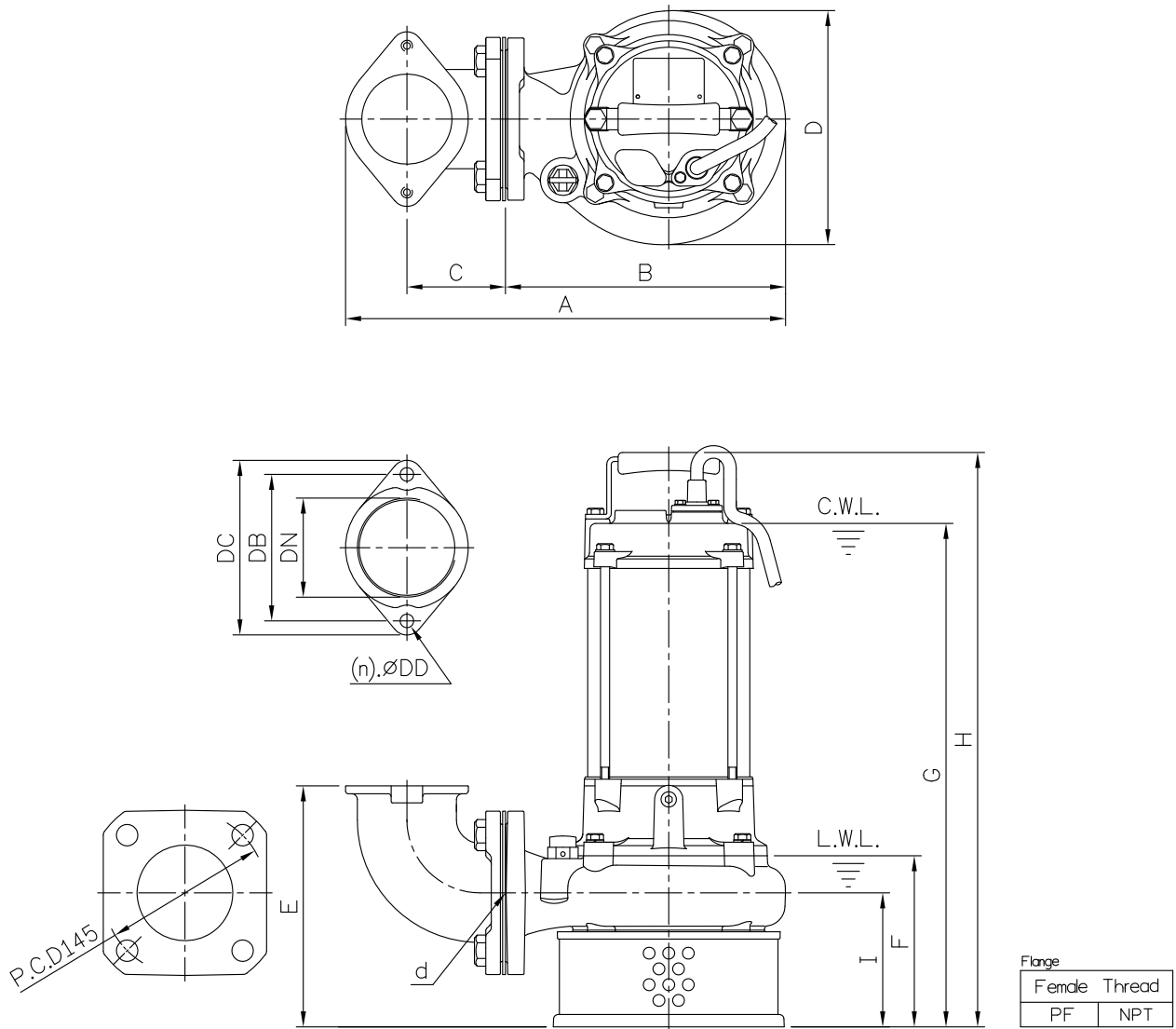


**DIMENSIONS**

**No: S3AN0222030-00**

**MODEL: AN-32 & AN-33**

**1Ø & 3Ø**



Dimensions—mm

Weight:kg

Model	d	A	B	C	D	E	F	G	H	I	WT1	Elbow (Flange) Set	DN	DB	DC	DD	(n)QTY	WT2
AN-32 1Ø	80	391	249	88	208	214	152	528	591	119	33	EB3-130	80	130	155	12	2	5
AN-33 1Ø	80	391	249	88	208	214	152	540	603	119	37	EB3-130	80	130	155	12	2	5
AN-32 3Ø	80	391	249	88	208	214	152	447	510	119	29	EB3-130	80	130	155	12	2	5
AN-33 3Ø	80	391	249	88	208	214	152	447	510	119	32	EB3-130	80	130	155	12	2	5

Dimensions—inch

Weight:lb

Model	d	A	B	C	D	E	F	G	H	I	WT1	Elbow (Flange) Set	DN	DB	DC	DD	(n)QTY	WT2
AN-32 1Ø	3	15 <sup>3</sup> / <sub>8</sub>	9 <sup>13</sup> / <sub>16</sub>	3 <sup>7</sup> / <sub>16</sub>	8 <sup>3</sup> / <sub>16</sub>	8 <sup>7</sup> / <sub>16</sub>	6	20 <sup>7</sup> / <sub>16</sub>	23 <sup>3</sup> / <sub>4</sub>	4 <sup>11</sup> / <sub>16</sub>	73	EB3-130	3	5 <sup>1</sup> / <sub>8</sub>	6 <sup>1</sup> / <sub>8</sub>	1/2	2	11
AN-33 1Ø	3	15 <sup>3</sup> / <sub>8</sub>	9 <sup>13</sup> / <sub>16</sub>	3 <sup>7</sup> / <sub>16</sub>	8 <sup>3</sup> / <sub>16</sub>	8 <sup>7</sup> / <sub>16</sub>	6	21 <sup>1</sup> / <sub>4</sub>	23 <sup>3</sup> / <sub>4</sub>	4 <sup>11</sup> / <sub>16</sub>	82	EB3-130	3	5 <sup>1</sup> / <sub>8</sub>	6 <sup>1</sup> / <sub>8</sub>	1/2	2	11
AN-32 3Ø	3	15 <sup>3</sup> / <sub>8</sub>	9 <sup>13</sup> / <sub>16</sub>	3 <sup>7</sup> / <sub>16</sub>	8 <sup>3</sup> / <sub>16</sub>	8 <sup>7</sup> / <sub>16</sub>	6	17 <sup>5</sup> / <sub>8</sub>	20 <sup>1</sup> / <sub>16</sub>	4 <sup>11</sup> / <sub>16</sub>	64	EB3-130	3	5 <sup>1</sup> / <sub>8</sub>	6 <sup>1</sup> / <sub>8</sub>	1/2	2	11
AN-33 3Ø	3	15 <sup>3</sup> / <sub>8</sub>	9 <sup>13</sup> / <sub>16</sub>	3 <sup>7</sup> / <sub>16</sub>	8 <sup>3</sup> / <sub>16</sub>	8 <sup>7</sup> / <sub>16</sub>	6	17 <sup>5</sup> / <sub>8</sub>	20 <sup>1</sup> / <sub>16</sub>	4 <sup>11</sup> / <sub>16</sub>	71	EB3-130	3	5 <sup>1</sup> / <sub>8</sub>	6 <sup>1</sup> / <sub>8</sub>	1/2	2	11

C.W.L.:Continuous Running Water Level WT1:Pump Weight(Without Cable)  
 L.W.L.:Lowest Running Water Level WT2:Elbow Set Weight