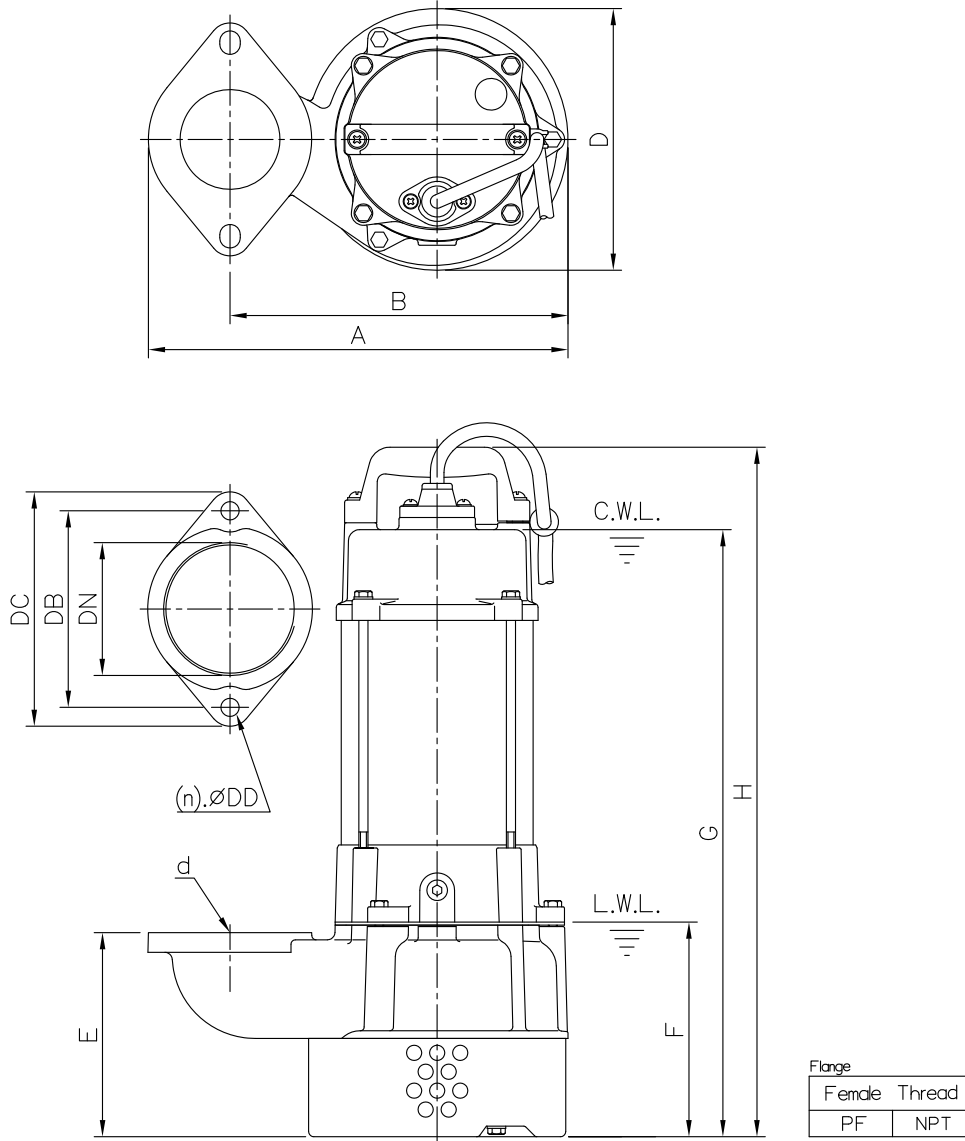


**DIMENSIONS**

**No: S3A00208030-00**

**MODEL: A-31**

**1Ø & 3Ø**



Dimensions—mm

Weight:Kg

Model	d	A	B	D	E	F	G	H	WT1	Elbow (Flange) Set	DN	DB	DC	DD	(n)QTY	WT2
A-31 1Ø	80	278	224	173	135	130	402	456	18	EF3-130	80	130	155	12	2	1
A-31 3Ø	80	278	224	173	135	130	402	456	17	EF3-130	80	130	155	12	2	1

Dimensions—inch

Weight:Lbs

Model	d	A	B	D	E	F	G	H	WT1	Elbow (Flange) Set	DN	DB	DC	DD	(n)QTY	WT2
A-31 1Ø	3	10 <sup>15</sup> / <sub>16</sub>	8 <sup>13</sup> / <sub>16</sub>	6 <sup>13</sup> / <sub>16</sub>	5 <sup>5</sup> / <sub>16</sub>	5 <sup>1</sup> / <sub>8</sub>	15 <sup>13</sup> / <sub>16</sub>	17 <sup>15</sup> / <sub>16</sub>	40	EF3-130	3	5 <sup>1</sup> / <sub>8</sub>	6 <sup>1</sup> / <sub>8</sub>	1/2	2	2
A-31 3Ø	3	10 <sup>15</sup> / <sub>16</sub>	8 <sup>13</sup> / <sub>16</sub>	6 <sup>13</sup> / <sub>16</sub>	5 <sup>5</sup> / <sub>16</sub>	5 <sup>1</sup> / <sub>8</sub>	15 <sup>13</sup> / <sub>16</sub>	17 <sup>15</sup> / <sub>16</sub>	37	EF3-130	3	5 <sup>1</sup> / <sub>8</sub>	6 <sup>1</sup> / <sub>8</sub>	1/2	2	2

C.W.L.:Continuous Running Water Level WT1:Pump Weight(Without Cable)  
L.W.L.:Lowest Running Water Level WT2:Elbow Set Weight