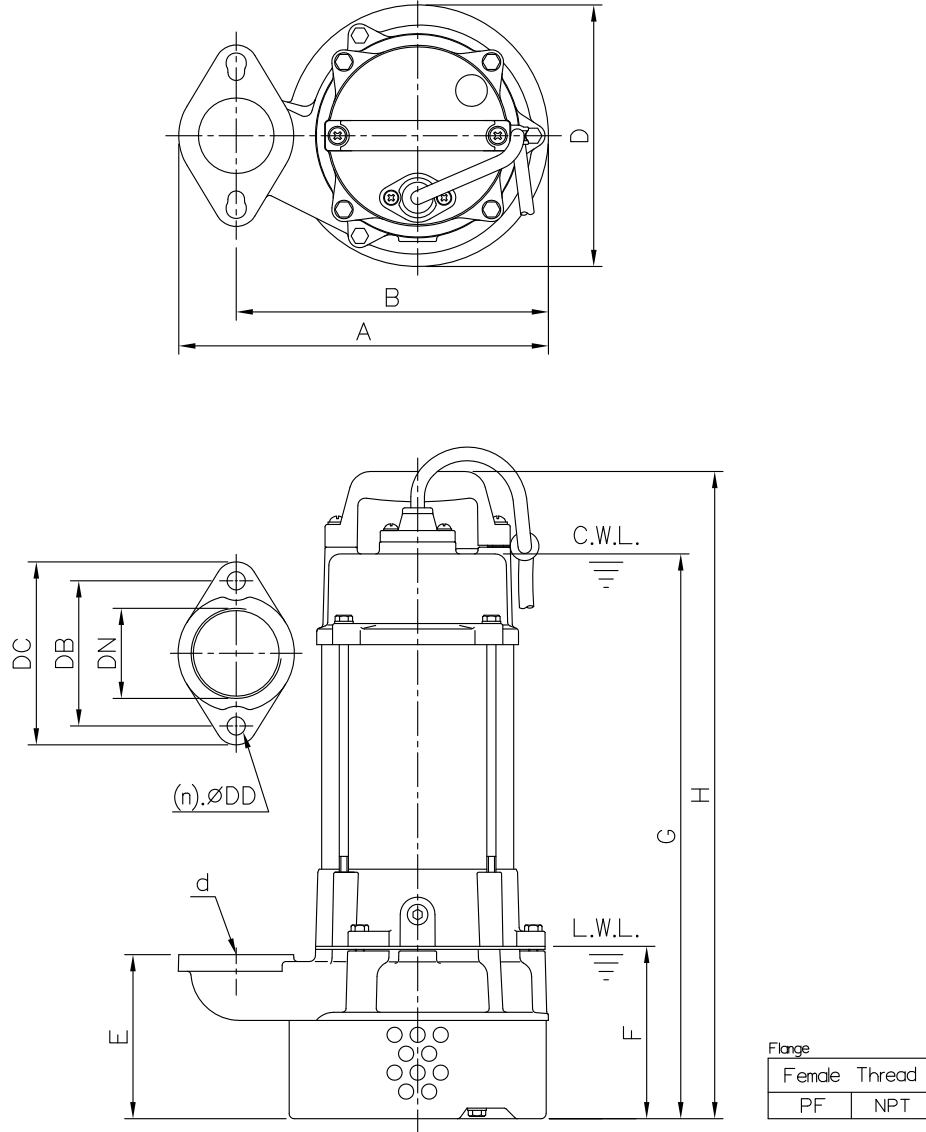


DIMENSIONS

No: S2A00208030-00

MODEL: A-05B & A-05L & A-21

1Ø & 3Ø



Dimensions--mm

Weight:kg

Model	d	A	B	D	E	F	G	H	WT1	Elbow (Flange) Set	DN	DB	DC	DD	(n)QTY	WT2
A-05B 1Ø	50	225	190	161	86	88	316	371	13	EF2-84	50	84	106	10	2	1
A-05B 3Ø	50	225	190	161	86	88	316	371	12	EF2-84	50	84	106	10	2	1
A-05L 1Ø	50	245	207	173	109	100	373	428	16	EF2-96	50	96	121	12	2	1
A-05L 3Ø	50	245	207	173	109	100	373	428	14	EF2-96	50	96	121	12	2	1
A-21 1Ø	50	245	207	173	109	100	373	428	17	EF2-96	50	96	121	12	2	1
A-21 3Ø	50	245	207	173	109	100	373	428	15	EF2-96	50	96	121	12	2	1

Dimensions--inch

Weight:lb

Model	d	A	B	D	E	F	G	H	WT1	Elbow (Flange) Set	DN	DB	DC	DD	(n)QTY	WT2
A-05B 1Ø	2	8 7/8	7 1/2	6 5/16	3 3/8	3 7/16	12 7/16	14 5/8	29	EF2-84	2	3 5/16	4 3/16	3/8	2	1
A-05B 3Ø	2	8 7/8	7 1/2	6 5/16	3 3/8	3 7/16	12 7/16	14 5/8	26	EF2-84	2	3 5/16	4 3/16	3/8	2	1
A-05L 1Ø	2	9 5/8	8 1/8	6 13/16	4 3/8	3 7/16	14 7/16	16 7/8	35	EF2-96	2	3 3/4	4 3/4	1/2	2	1
A-05L 3Ø	2	9 5/8	8 1/8	6 13/16	4 3/8	3 7/16	14 7/16	16 7/8	31	EF2-96	2	3 3/4	4 3/4	1/2	2	1
A-21 1Ø	2	9 5/8	8 1/8	6 13/16	4 3/8	3 7/16	14 7/16	16 7/8	37	EF2-96	2	3 3/4	4 3/4	1/2	2	1
A-21 3Ø	2	9 5/8	8 1/8	6 13/16	4 3/8	3 7/16	14 7/16	16 7/8	33	EF2-96	2	3 3/4	4 3/4	1/2	2	1

C.W.L.:Continuous Running Water Level WT1:Pump Weight(Without Cable)
 L.W.L.:Lowest Running Water Level WT2:Elbow Set Weight