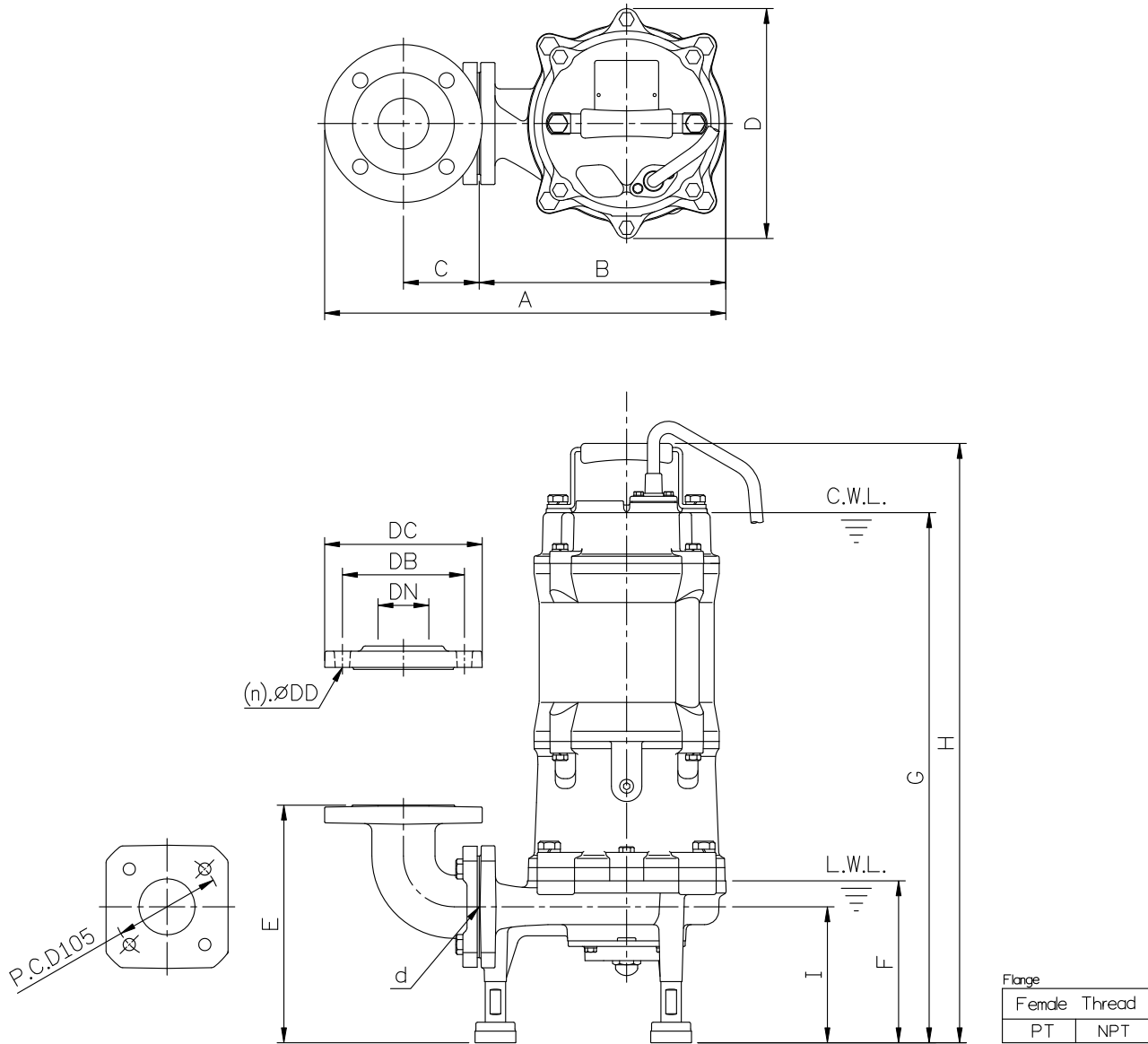


## DIMENSIONS

No: S2GF0237030-00

MODEL: 50GF22.2&50GF23.7

3Ø



Dimensions—mm

Weight:kg

Model	d	A	B	C	D	E	F	G	H	I	WT1	Elbow (Flange) Set	DN	DB	DC	DD	(n)QTY	WT2
50GF22.2	50	395	243	75	226	234	160	521	589	134	44	EB2-120	50	120	155	15	4	6
50GF23.7	50	395	243	75	226	234	160	541	609	134	47	EB2-120	50	120	155	15	4	6

Dimensions—inch

Weight:lb

Model	d	A	B	C	D	E	F	G	H	I	WT1	Elbow (Flange) Set	DN	DB	DC	DD	(n)QTY	WT2
50GF22.2	2	15 <sup>15</sup> / <sub>16</sub>	9 <sup>9</sup> / <sub>16</sub>	2 <sup>15</sup> / <sub>16</sub>	8 <sup>7</sup> / <sub>8</sub>	9 <sup>9</sup> / <sub>16</sub>	6 <sup>5</sup> / <sub>16</sub>	20 <sup>1</sup> / <sub>2</sub>	23 <sup>3</sup> / <sub>16</sub>	5 <sup>1</sup> / <sub>4</sub>	97	EB2-120	2	4 <sup>3</sup> / <sub>4</sub>	6 <sup>1</sup> / <sub>8</sub>	1 <sup>1</sup> / <sub>16</sub>	4	13
50GF23.7	2	15 <sup>15</sup> / <sub>16</sub>	9 <sup>9</sup> / <sub>16</sub>	2 <sup>15</sup> / <sub>16</sub>	8 <sup>7</sup> / <sub>8</sub>	9 <sup>9</sup> / <sub>16</sub>	6 <sup>5</sup> / <sub>16</sub>	21 <sup>3</sup> / <sub>16</sub>	24	5 <sup>1</sup> / <sub>4</sub>	104	EB2-120	2	4 <sup>3</sup> / <sub>4</sub>	6 <sup>1</sup> / <sub>8</sub>	1 <sup>1</sup> / <sub>16</sub>	4	13

C.W.L.:Continuous Running Water Level    WT1:Pump Weight(Without Cable)  
 L.W.L.:Lowest Running Water Level        WT2:Elbow Set Weight