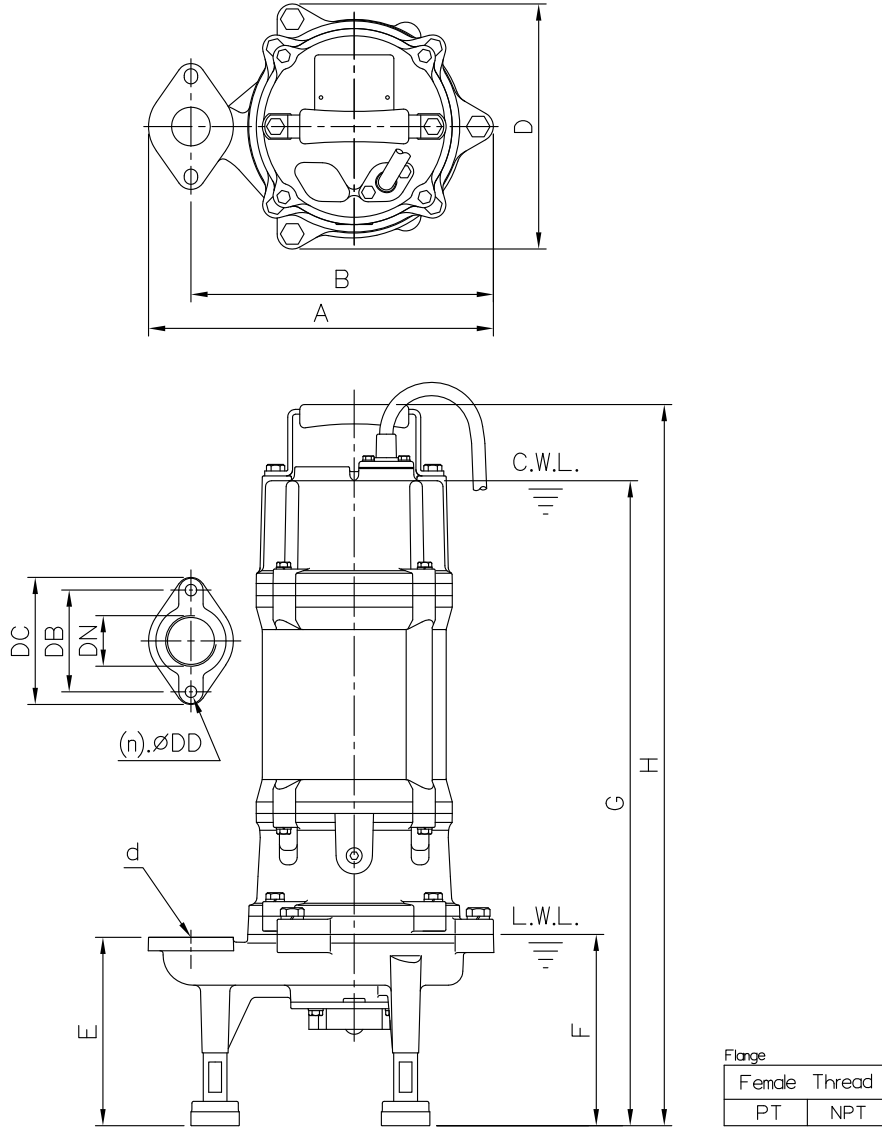


DIMENSIONS

No: SFGF0222010-00

MODEL: 32GF21.5/22.2 & 32GF21.5H/22.2H

10



Dimensions-mm Weight:Kg

Model	d	A	B	D	E	F	G	H	WT1	Elbow (Flange) Set	DN	DB	DC	DD	(n)QTY	WT2
32GF21.5	32	285	250	203	156	158	533	596	36	EF1¼-84	32	84	105	10	2	1
32GF22.2	32	285	250	203	156	158	560	623	38	EF1¼-84	32	84	105	10	2	1
32GF21.5H	32	285	250	203	156	158	533	596	36	EF1¼-84	32	84	105	10	2	1
32GF22.2H	32	285	250	203	156	158	560	623	38	EF1¼-84	32	84	105	10	2	1

Dimensions-inch Weight:Lbs

Model	d	A	B	D	E	F	G	H	WT1	Elbow (Flange) Set	DN	DB	DC	DD	(n)QTY	WT2
32GF21.5	1¼	11¼	9 ¹³ / ₁₆	8	6½	6¼	21	23 ⁷ / ₁₆	79	EF1¼-84	1¼	3 ⁵ / ₁₆	4½	¾	2	1
32GF22.2	1¼	11¼	9 ¹³ / ₁₆	8	6½	6¼	22 ¹ / ₁₆	24½	84	EF1¼-84	1¼	3 ⁵ / ₁₆	4½	¾	2	1
32GF21.5H	1¼	11¼	9 ¹³ / ₁₆	8	6½	6¼	21	23 ⁷ / ₁₆	79	EF1¼-84	1¼	3 ⁵ / ₁₆	4½	¾	2	1
32GF22.2H	1¼	11¼	9 ¹³ / ₁₆	8	6½	6¼	22 ¹ / ₁₆	24½	84	EF1¼-84	1¼	3 ⁵ / ₁₆	4½	¾	2	1

C.W.L.:Continuous Running Water Level WT1:Pump Weight(Without Cable)
 L.W.L.:Lowest Running Water Level WT2:Elbow Set Weight