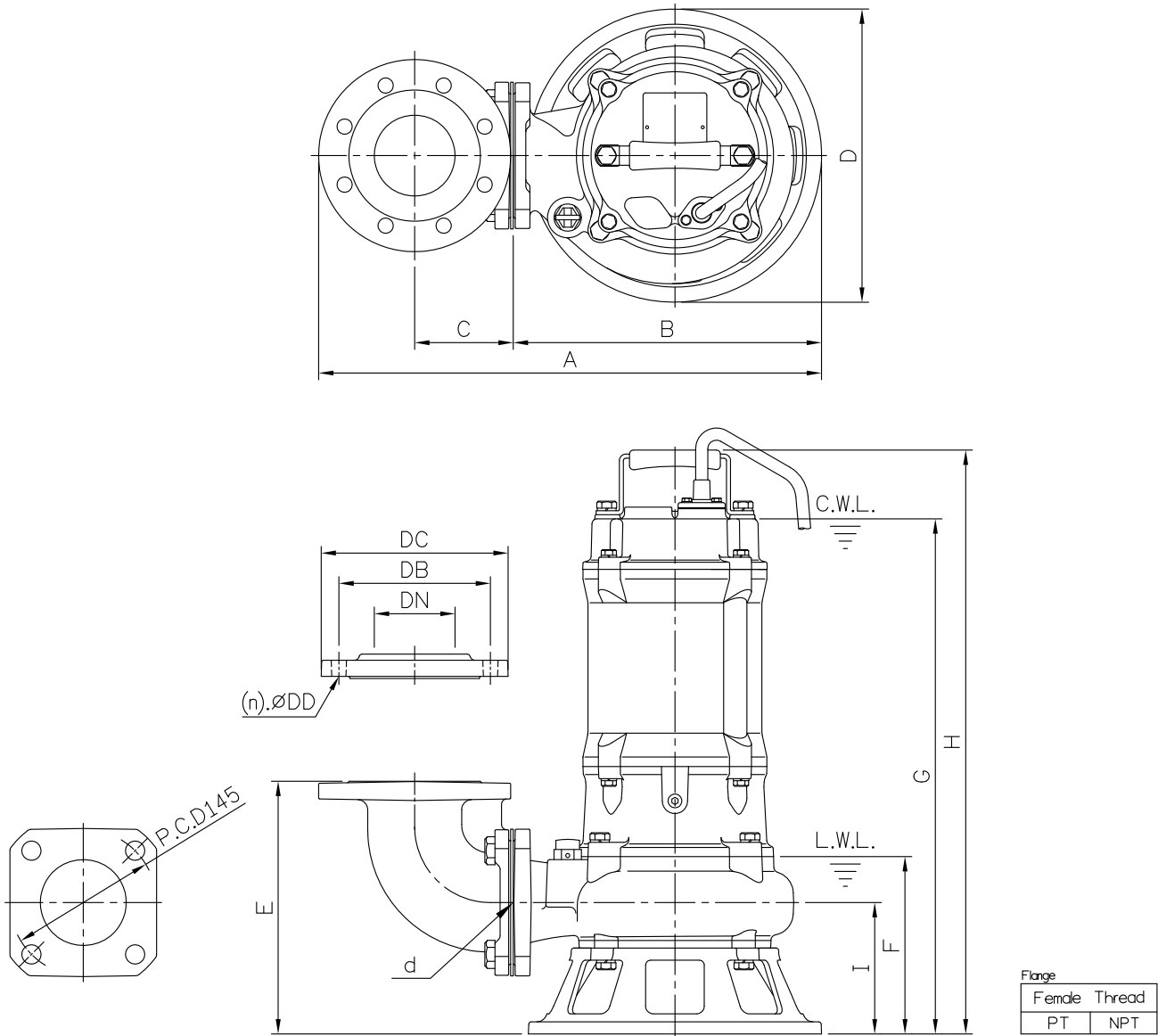


**DIMENSIONS**

**No: S3AFC237A30-00**

**MODEL: 80AFC23.7A**

**3Ø**



Dimensions—mm

Weight:Kg

Model	d	A	B	C	D	E	F	G	H	I	WT1	Elbow (Flange) Set	DN	DB	DC	DD	(n)QTY	WT2
80AFC23.7A	80	498	305	98	290	250	176	510	578	130	48	EB3-150A	80	150	190	15	8	12

Dimensions—inch

Weight:Lbs

Model	d	A	B	C	D	E	F	G	H	I	WT1	Elbow (Flange) Set	DN	DB	DC	DD	(n)QTY	WT2
80AFC23.7A	3	19 <sup>5</sup> / <sub>8</sub>	12	3 <sup>7</sup> / <sub>8</sub>	11 <sup>1</sup> / <sub>16</sub>	9 <sup>3</sup> / <sub>16</sub>	6 <sup>15</sup> / <sub>16</sub>	20 <sup>1</sup> / <sub>16</sub>	22 <sup>3</sup> / <sub>4</sub>	5 <sup>1</sup> / <sub>8</sub>	106	EB3-150A	3	5 <sup>7</sup> / <sub>8</sub>	7 <sup>1</sup> / <sub>2</sub>	3 <sup>1</sup> / <sub>16</sub>	8	26

C.W.L.:Continuous Running Water Level WT1:Pump Weight(Without Cable)  
L.W.L.:Lowest Running Water Level WT2:Elbow Set Weight