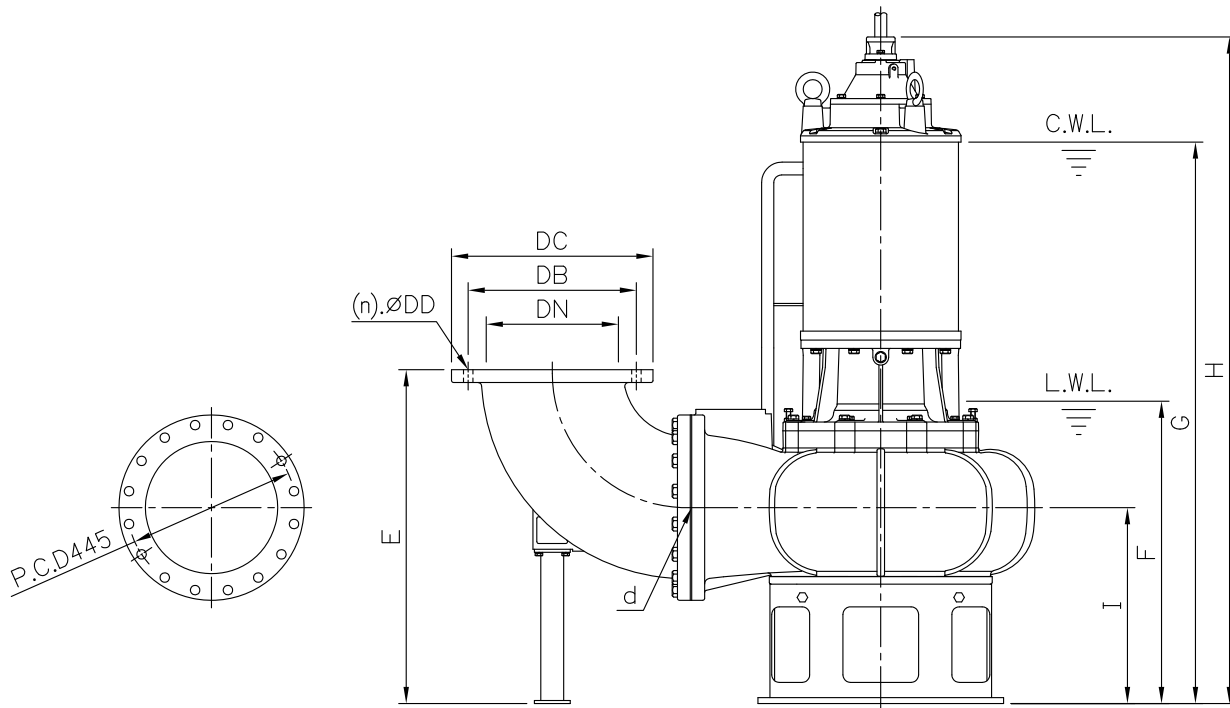
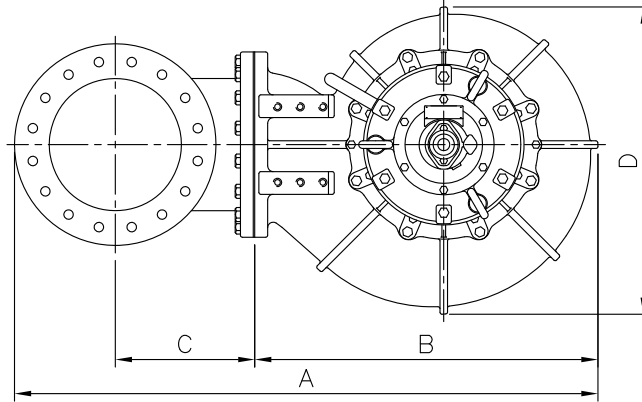


**DIMENSIONS**

**No: SMAF04D5030-00**

**MODEL: AF-1430/1440/1650/1660**

**3Ø**



Dimensions-mm

Weight:Kg

Model	d	A	B	C	D	E	F	G	H	I	WT1 50Hz/60Hz	Elbow (Flange) Set	DN	DB	DC	DD	(n)QTY	WT2
AF-1430	350	1544	908	369	813	883	800	1485	1763	518	828/833	EB14-445	350	445	533	25	16	146
AF-1440	350	1544	908	369	813	883	800	1485	1763	518	833/828	EB14-445	350	445	533	25	16	146
AF-1650	350	1558	908	369	813	883	800	1485	1763	518	965	EB16-510(445)	350	510	560	25	16	156
AF-1660	350	1558	908	369	813	883	800	1485	1763	518	970	EB16-510(445)	350	510	560	25	16	156

Dimensions-inch

Weight:Lbs

Model	d	A	B	C	D	E	F	G	H	I	WT1 50Hz/60Hz	Elbow (Flange) Set	DN	DB	DC	DD	(n)QTY	WT2
AF-1430	14	60 <sup>3</sup> / <sub>16</sub>	35 <sup>3</sup> / <sub>4</sub>	14 <sup>1</sup> / <sub>2</sub>	32	34 <sup>3</sup> / <sub>4</sub>	31 <sup>1</sup> / <sub>2</sub>	58 <sup>7</sup> / <sub>16</sub>	69 <sup>7</sup> / <sub>16</sub>	20 <sup>3</sup> / <sub>8</sub>	1825/1836	EB14-445	14	17 <sup>1</sup> / <sub>2</sub>	21	1	16	322
AF-1440	14	60 <sup>3</sup> / <sub>16</sub>	35 <sup>3</sup> / <sub>4</sub>	14 <sup>1</sup> / <sub>2</sub>	32	34 <sup>3</sup> / <sub>4</sub>	31 <sup>1</sup> / <sub>2</sub>	58 <sup>7</sup> / <sub>16</sub>	69 <sup>7</sup> / <sub>16</sub>	20 <sup>3</sup> / <sub>8</sub>	1836/1825	EB14-445	14	17 <sup>1</sup> / <sub>2</sub>	21	1	16	322
AF-1650	14	61 <sup>1</sup> / <sub>16</sub>	35 <sup>3</sup> / <sub>4</sub>	14 <sup>1</sup> / <sub>2</sub>	32	34 <sup>3</sup> / <sub>4</sub>	31 <sup>1</sup> / <sub>2</sub>	58 <sup>7</sup> / <sub>16</sub>	69 <sup>7</sup> / <sub>16</sub>	20 <sup>3</sup> / <sub>8</sub>	2127	EB16-510(445)	14	20 <sup>1</sup> / <sub>16</sub>	22 <sup>1</sup> / <sub>16</sub>	1	16	344
AF-1660	14	61 <sup>1</sup> / <sub>16</sub>	35 <sup>3</sup> / <sub>4</sub>	14 <sup>1</sup> / <sub>2</sub>	32	34 <sup>3</sup> / <sub>4</sub>	31 <sup>1</sup> / <sub>2</sub>	58 <sup>7</sup> / <sub>16</sub>	69 <sup>7</sup> / <sub>16</sub>	20 <sup>3</sup> / <sub>8</sub>	2138	EB16-510(445)	14	20 <sup>1</sup> / <sub>16</sub>	22 <sup>1</sup> / <sub>16</sub>	1	16	344

C.W.L.:Continuous Running Water Level WT1:Pump Weight(Without Cable)  
L.W.L.:Lowest Running Water Level WT2:Elbow Set Weight