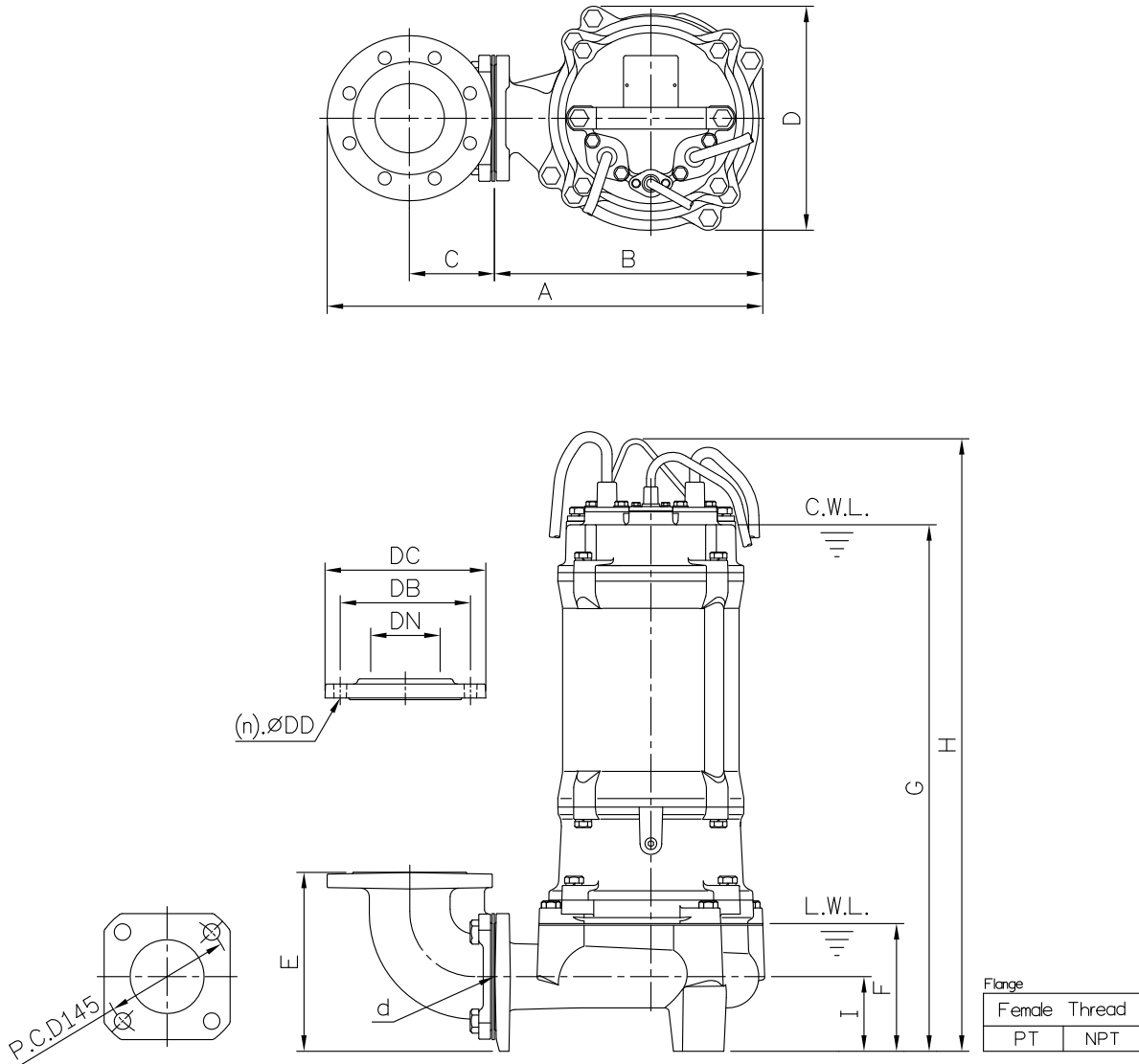


DIMENSIONS

No: S3AFU2A1030-00

MODEL: 80AFU211 & 80AFU211L

3Ø



Dimensions—mm

Weight:Kg

Model	d	A	B	C	D	E	F	G	H	I	WT1 50Hz/60Hz	Elbow (Flange) Set	DN	DB	DC	DD	(n)QTY	WT2
80AFU211	80	501	309	98	258	206	147	606	705	86	85/84	EB3-150A	80	150	185	15	8	12
80AFU211L	80	506	314	98	273	242	199	658	757	122	87/86	EB3-150A	80	150	185	15	8	12

Dimensions—inch

Weight:Lbs

Model	d	A	B	C	D	E	F	G	H	I	WT1 50Hz/60Hz	Elbow (Flange) Set	DN	DB	DC	DD	(n)QTY	WT2
80AFU211	3	19 ³ / ₄	12 ³ / ₁₆	3 ⁷ / ₈	10 ³ / ₁₆	8 ¹ / ₈	5 ³ / ₁₆	23 ⁷ / ₈	27 ³ / ₄	3 ³ / ₈	187/185	EB3-150A	3	5 ⁵ / ₁₆	7 ⁵ / ₁₆	9 ¹ / ₁₆	8	26
80AFU211L	3	19 ⁷ / ₁₆	12 ³ / ₁₆	3 ⁷ / ₈	10 ³ / ₄	9 ¹ / ₂	7 ³ / ₁₆	25 ⁵ / ₁₆	29 ³ / ₁₆	4 ¹ / ₁₆	192/190	EB3-150A	3	5 ⁵ / ₁₆	7 ⁵ / ₁₆	9 ¹ / ₁₆	8	26

C.W.L.:Continuous Running Water Level WT1:Pump Weight(Without Cable)
 L.W.L.:Lowest Running Water Level WT2:Elbow Set Weight