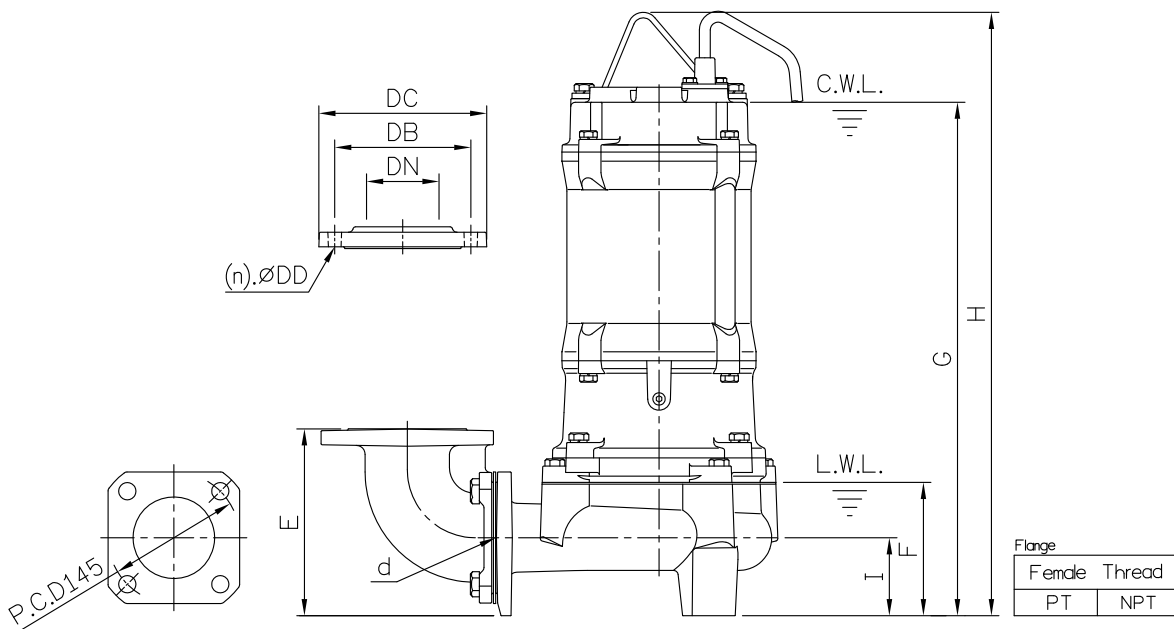
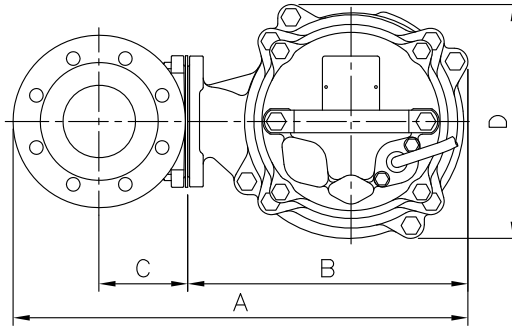


**DIMENSIONS**

**No: S3AFU275030-00**

**MODEL: 80AFU25.5/27.5 & 80AFU25.5/27.5L**

**3Ø**



Dimensions—mm

Weight:Kg

Model	d	A	B	C	D	E	F	G	H	I	WT1 50Hz/60Hz	Elbow (Flange) Set	DN	DB	DC	DD	(n)QTY	WT2
80AFU25.5	80	501	309	98	258	206	147	566	665	86	68/67	EB3-150A	80	150	185	15	8	12
80AFU27.5	80	501	309	98	258	206	147	566	665	86	74/73	EB3-150A	80	150	185	15	8	12
80AFU25.5L	80	506	314	98	273	242	199	618	717	122	70/69	EB3-150A	80	150	185	15	8	12
80AFU27.5L	80	506	314	98	273	242	199	618	717	122	76/75	EB3-150A	80	150	185	15	8	12

Dimensions—inch

Weight:Lbs

Model	d	A	B	C	D	E	F	G	H	I	WT1 50Hz/60Hz	Elbow (Flange) Set	DN	DB	DC	DD	(n)QTY	WT2
80AFU25.5	3	19 <sup>3</sup> / <sub>4</sub>	12 <sup>2</sup> / <sub>16</sub>	3 <sup>7</sup> / <sub>8</sub>	10 <sup>3</sup> / <sub>16</sub>	8 <sup>1</sup> / <sub>2</sub>	5 <sup>3</sup> / <sub>16</sub>	22 <sup>5</sup> / <sub>16</sub>	26 <sup>3</sup> / <sub>16</sub>	3 <sup>3</sup> / <sub>8</sub>	150/148	EB3-150A	3	5 <sup>5</sup> / <sub>16</sub>	7 <sup>5</sup> / <sub>16</sub>	9 <sup>1</sup> / <sub>16</sub>	8	26
80AFU27.5	3	19 <sup>3</sup> / <sub>4</sub>	12 <sup>2</sup> / <sub>16</sub>	3 <sup>7</sup> / <sub>8</sub>	10 <sup>3</sup> / <sub>16</sub>	8 <sup>1</sup> / <sub>2</sub>	5 <sup>3</sup> / <sub>16</sub>	22 <sup>5</sup> / <sub>16</sub>	26 <sup>3</sup> / <sub>16</sub>	3 <sup>3</sup> / <sub>8</sub>	163/161	EB3-150A	3	5 <sup>5</sup> / <sub>16</sub>	7 <sup>5</sup> / <sub>16</sub>	9 <sup>1</sup> / <sub>16</sub>	8	26
80AFU25.5L	3	19 <sup>7</sup> / <sub>16</sub>	12 <sup>2</sup> / <sub>16</sub>	3 <sup>7</sup> / <sub>8</sub>	10 <sup>3</sup> / <sub>4</sub>	9 <sup>1</sup> / <sub>2</sub>	7 <sup>7</sup> / <sub>16</sub>	24 <sup>1</sup> / <sub>16</sub>	28 <sup>3</sup> / <sub>4</sub>	4 <sup>1</sup> / <sub>16</sub>	154/152	EB3-150A	3	5 <sup>5</sup> / <sub>16</sub>	7 <sup>5</sup> / <sub>16</sub>	9 <sup>1</sup> / <sub>16</sub>	8	26
80AFU27.5L	3	19 <sup>7</sup> / <sub>16</sub>	12 <sup>2</sup> / <sub>16</sub>	3 <sup>7</sup> / <sub>8</sub>	10 <sup>3</sup> / <sub>4</sub>	9 <sup>1</sup> / <sub>2</sub>	7 <sup>7</sup> / <sub>16</sub>	24 <sup>1</sup> / <sub>16</sub>	28 <sup>3</sup> / <sub>4</sub>	4 <sup>1</sup> / <sub>16</sub>	168/165	EB3-150A	3	5 <sup>5</sup> / <sub>16</sub>	7 <sup>5</sup> / <sub>16</sub>	9 <sup>1</sup> / <sub>16</sub>	8	26

C.W.L.:Continuous Running Water Level WT1:Pump Weight(Without Cable)  
L.W.L.:Lowest Running Water Level WT2:Elbow Set Weight