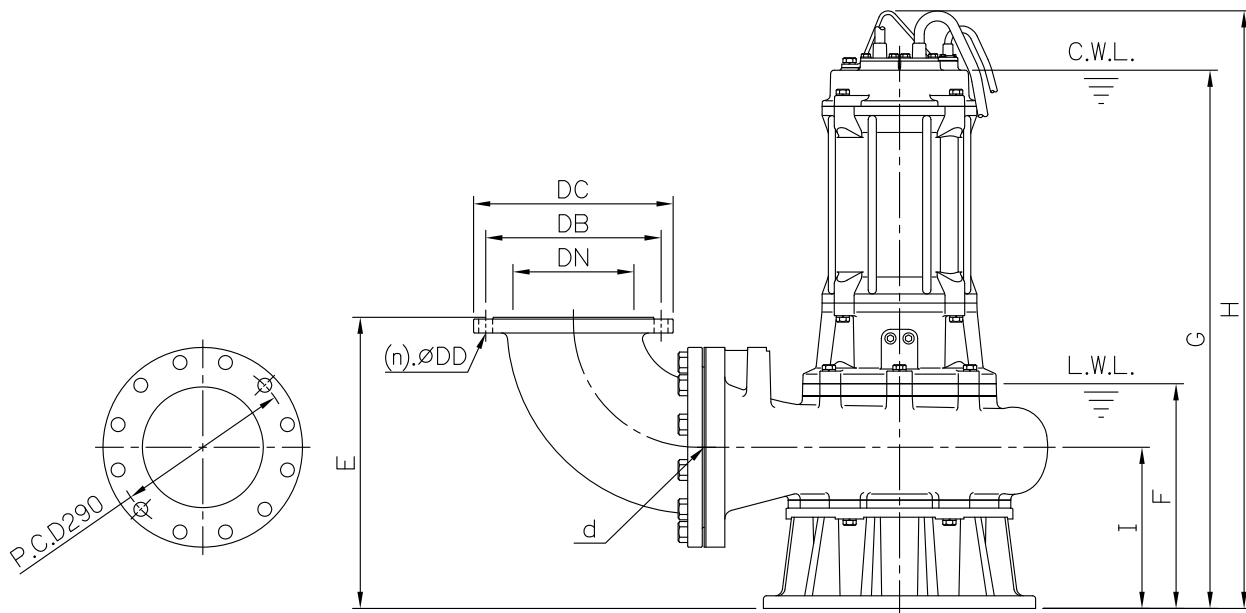
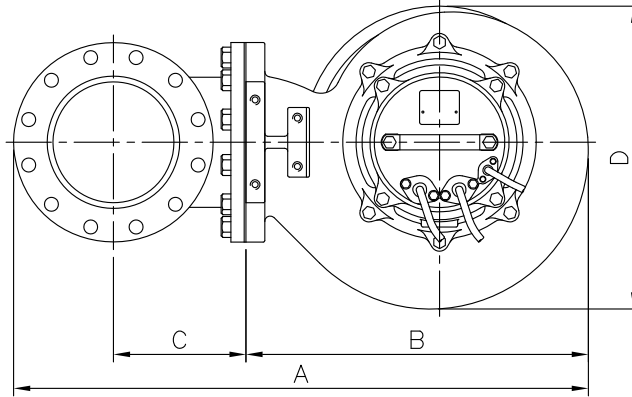


**DIMENSIONS**

**No: S8AF04A5030-00**

**MODEL: AF-815 & AF-820**

**3Ø**



Dimensions-mm

Weight:Kg

| Model  | d   | A   | B   | C   | D   | E   | F   | G   | H   | I   | WT1<br>50Hz/60Hz | Elbow<br>(Flange) Set | DN  | DB  | DC  | DD | (n)QTY | WT2 |
|--------|-----|-----|-----|-----|-----|-----|-----|-----|-----|-----|------------------|-----------------------|-----|-----|-----|----|--------|-----|
| AF-815 | 200 | 950 | 566 | 219 | 501 | 483 | 372 | 890 | 988 | 267 | 221/219          | EB8-290               | 200 | 290 | 330 | 23 | 12     | 44  |
| AF-820 | 200 | 950 | 566 | 219 | 501 | 483 | 372 | 890 | 988 | 267 | 234/232          | EB8-290               | 200 | 290 | 330 | 23 | 12     | 44  |

Dimensions-inch

Weight:Lbs

| Model  | d | A                              | B                               | C                             | D                              | E  | F                              | G                               | H                              | I                              | WT1<br>50Hz/60Hz | Elbow<br>(Flange) Set | DN | DB                              | DC | DD                            | (n)QTY | WT2 |
|--------|---|--------------------------------|---------------------------------|-------------------------------|--------------------------------|----|--------------------------------|---------------------------------|--------------------------------|--------------------------------|------------------|-----------------------|----|---------------------------------|----|-------------------------------|--------|-----|
| AF-815 | 8 | 37 <sup>3</sup> / <sub>8</sub> | 22 <sup>5</sup> / <sub>16</sub> | 8 <sup>5</sup> / <sub>8</sub> | 19 <sup>3</sup> / <sub>4</sub> | 19 | 14 <sup>5</sup> / <sub>8</sub> | 35 <sup>1</sup> / <sub>16</sub> | 38 <sup>3</sup> / <sub>8</sub> | 10 <sup>1</sup> / <sub>2</sub> | 487/483          | EB8-290               | 8  | 11 <sup>1</sup> / <sub>16</sub> | 13 | 7 <sup>7</sup> / <sub>8</sub> | 12     | 97  |
| AF-820 | 8 | 37 <sup>3</sup> / <sub>8</sub> | 22 <sup>5</sup> / <sub>16</sub> | 8 <sup>5</sup> / <sub>8</sub> | 19 <sup>3</sup> / <sub>4</sub> | 19 | 14 <sup>5</sup> / <sub>8</sub> | 35 <sup>1</sup> / <sub>16</sub> | 38 <sup>3</sup> / <sub>8</sub> | 10 <sup>1</sup> / <sub>2</sub> | 516/511          | EB8-290               | 8  | 11 <sup>1</sup> / <sub>16</sub> | 13 | 7 <sup>7</sup> / <sub>8</sub> | 12     | 97  |

C.W.L.:Continuous Running Water Level WT1:Pump Weight(Without Cable)  
L.W.L.:Lowest Running Water Level WT2:Elbow Set Weight