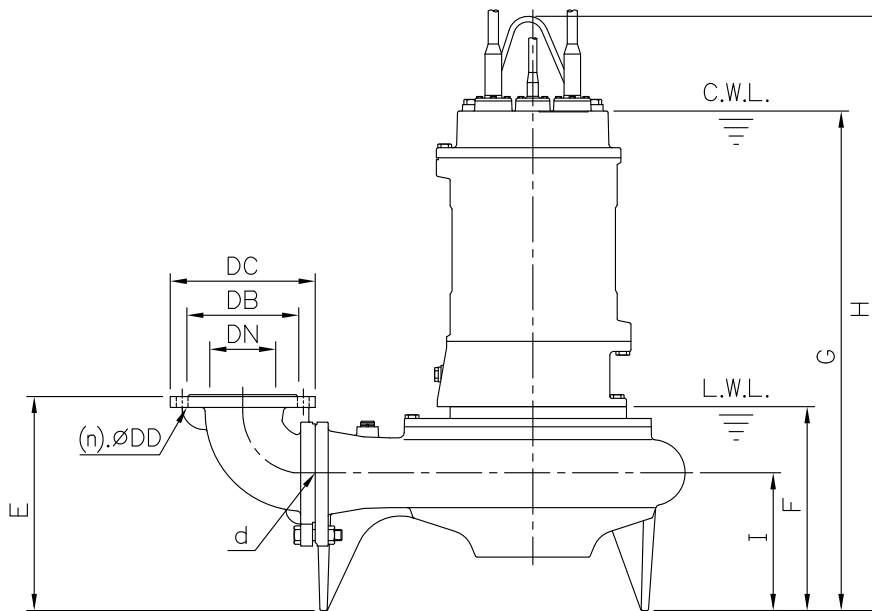
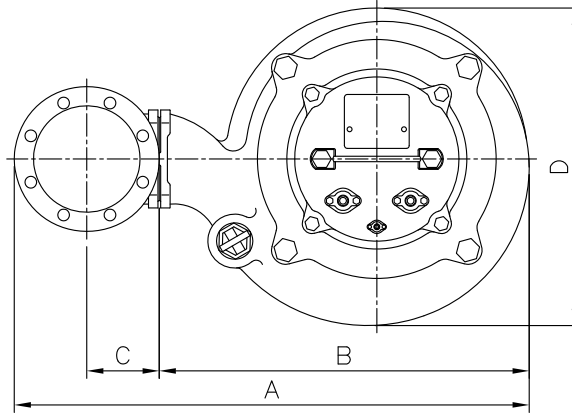


DIMENSIONS

No: S6AF04B2030-00

MODEL: AF-620(50Hz) & AF-630

3Ø



Dimensions—mm

Weight:Kg

| Model | d | A | B | C | D | E | F | G | H | I | WT1 50Hz/60Hz | Elbow (Flange) Set | DN | DB | DC | DD | (n)QTY | WT2 |
|--------------|-----|-----|-----|-----|-----|-----|-----|-----|------|-----|------------------|-----------------------|-----|-----|-----|----|--------|-----|
| AF-620(50Hz) | 150 | 808 | 536 | 130 | 455 | 385 | 329 | 778 | 938 | 225 | 153 | EB6-240(175) | 150 | 240 | 285 | 23 | 8 | 34 |
| AF-630 | 150 | 852 | 580 | 130 | 497 | 388 | 342 | 841 | 1021 | 228 | 218/209 | EB6-240(175) | 150 | 240 | 285 | 23 | 8 | 34 |

Dimensions—inch

Weight:Lbs

| Model | d | A | B | C | D | E | F | G | H | I | WT1 50Hz/60Hz | Elbow (Flange) Set | DN | DB | DC | DD | (n)QTY | WT2 |
|--------------|---|---------------------------------|---------------------------------|-------------------------------|----------------------------------|---------------------------------|---------------------------------|---------------------------------|----------------------------------|-------------------------------|------------------|-----------------------|----|--------------------------------|--------------------------------|-------------------------------|--------|-----|
| AF-620(50Hz) | 6 | 31 ³ / ₁₆ | 21 ¹ / ₈ | 5 ¹ / ₈ | 17 ¹⁵ / ₁₆ | 15 ³ / ₁₆ | 12 ¹ / ₁₆ | 30 ⁵ / ₁₆ | 36 ¹⁵ / ₁₆ | 8 ⁷ / ₈ | 337 | EB6-240(175) | 6 | 9 ³ / ₁₆ | 11 ¹ / ₄ | 7 ³ / ₈ | 8 | 75 |
| AF-630 | 6 | 33 ³ / ₁₆ | 22 ³ / ₁₆ | 5 ¹ / ₈ | 19 ⁹ / ₁₆ | 15 ¹ / ₄ | 13 ¹ / ₁₆ | 33 ³ / ₈ | 40 ¹ / ₁₆ | 9 | 481/461 | EB6-240(175) | 6 | 9 ³ / ₁₆ | 11 ¹ / ₄ | 7 ³ / ₈ | 8 | 75 |

C.W.L.:Continuous Running Water Level WT1:Pump Weight(Without Cable)
L.W.L.:Lowest Running Water Level WT2:Elbow Set Weight