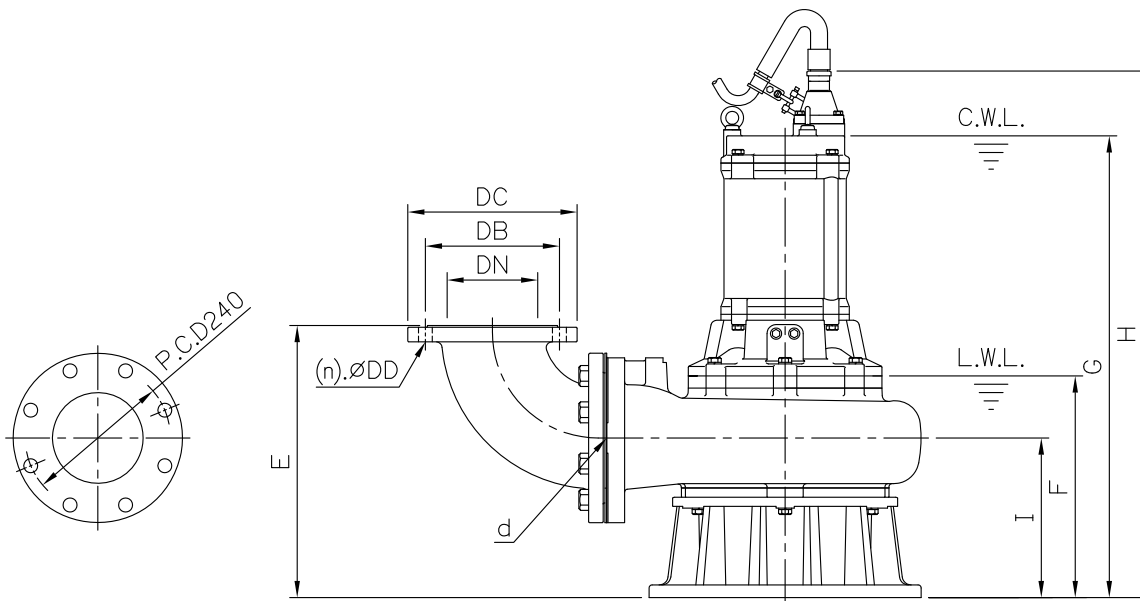
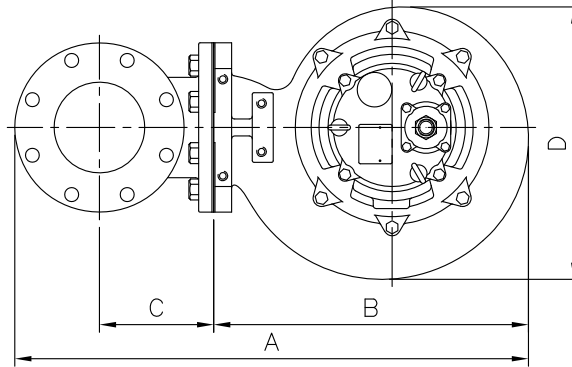


**DIMENSIONS**

**No: S6AF0475030-00**

**MODEL: AF-610**

**3Ø**



Dimensions—mm

Weight:Kg

Model	d	A	B	C	D	E	F	G	H	I	WT1	Elbow (Flange) Set	DN	DB	DC	DD	(n)QTY	WT2
AF-610	150	850	521	189	450	450	367	764	871	264	183	EB6-240	150	240	280	23	8	36

Dimensions—inch

Weight:Lbs

Model	d	A	B	C	D	E	F	G	H	I	WT1	Elbow (Flange) Set	DN	DB	DC	DD	(n)QTY	WT2
AF-610	6	33 <sup>3</sup> / <sub>16</sub>	20 <sup>1</sup> / <sub>2</sub>	7 <sup>7</sup> / <sub>16</sub>	17 <sup>1</sup> / <sub>16</sub>	17 <sup>1</sup> / <sub>16</sub>	14 <sup>5</sup> / <sub>16</sub>	30 <sup>3</sup> / <sub>16</sub>	34 <sup>5</sup> / <sub>16</sub>	10 <sup>3</sup> / <sub>8</sub>	403	EB6-240	6	9 <sup>7</sup> / <sub>16</sub>	11	1 <sup>1</sup> / <sub>16</sub>	8	79

C.W.L.:Continuous Running Water Level WT1:Pump Weight(Without Cable)  
L.W.L.:Lowest Running Water Level WT2:Elbow Set Weight