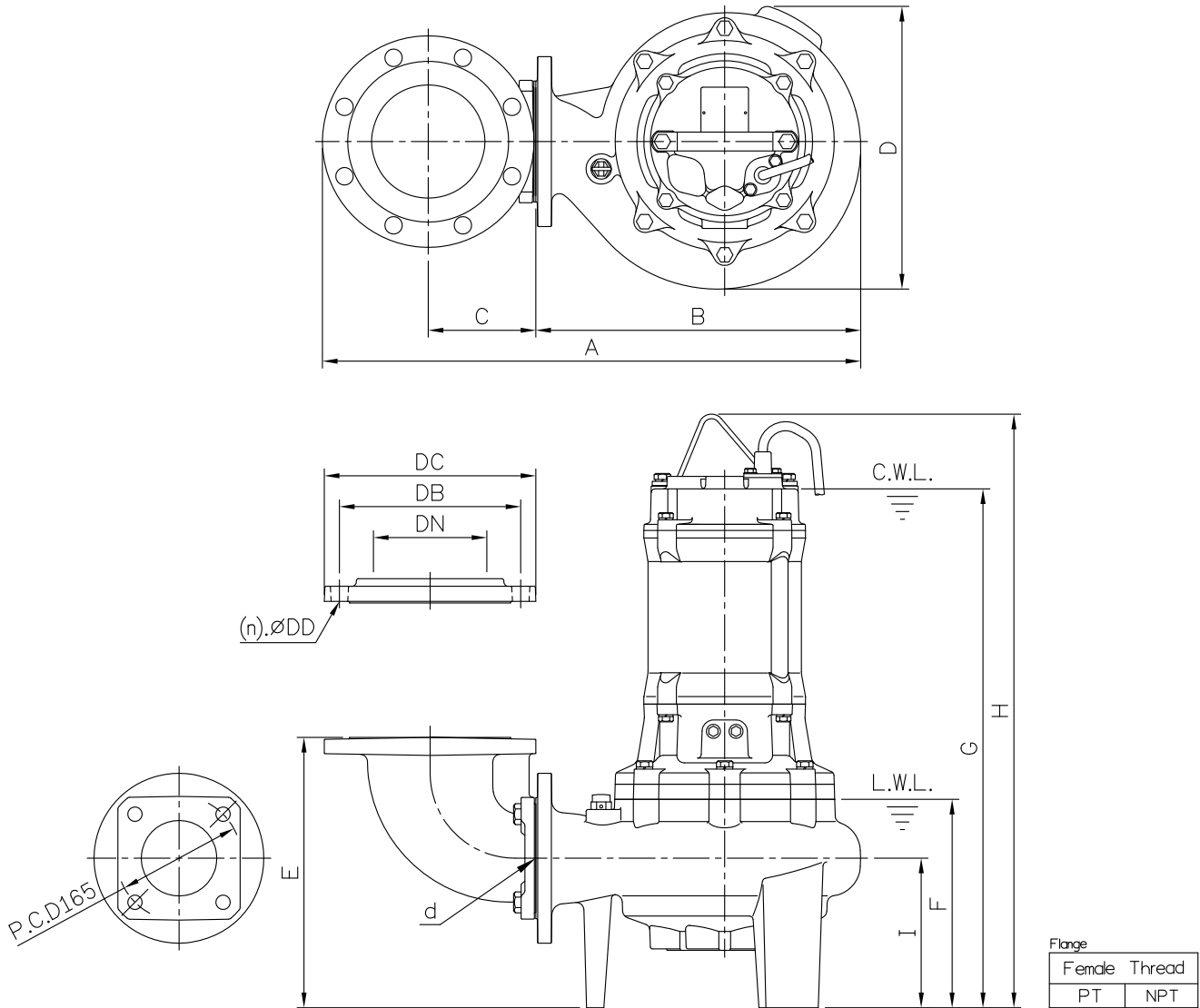


DIMENSIONS

No: S4AFE475032-00

MODEL: 100(150)AFE45.5 & 100(150)AFE47.5 (6")

3Ø



Dimensions—mm

Weight:kg

Model	d	A	B	C	D	E	F	G	H	I	WT1	Elbow (Flange) Set	DN	DB	DC	DD	(n)QTY	WT2
100(150)AFE45.5_50Hz	100	713	430	143	374	358	276	687	786	198	110	EB6-240(165)	150	240	280	23	8	23
100(150)AFE45.5_60Hz	100	678	395	143	345	338	261	672	771	178	104	EB6-240(165)	150	240	280	23	8	23
100(150)AFE47.5_50Hz	100	713	430	143	374	358	276	727	826	198	120	EB6-240(165)	150	240	280	23	8	23
100(150)AFE47.5_60Hz	100	678	395	143	345	338	261	712	811	178	113	EB6-240(165)	150	240	280	23	8	23

Dimensions—inch

Weight:lb

Model	d	A	B	C	D	E	F	G	H	I	WT1	Elbow (Flange) Set	DN	DB	DC	DD	(n)QTY	WT2
100(150)AFE45.5_50Hz	4	28 1/8	16 5/8	5 5/8	14 3/4	14 1/8	10 7/8	27 1/8	30 1/8	7 3/8	243	EB6-240(165)	6	9 7/16	11	7/8	8	51
100(150)AFE45.5_60Hz	4	26 1/8	15 3/8	5 5/8	13 3/8	13 1/8	10 3/4	26 1/8	30 3/8	7	229	EB6-240(165)	6	9 7/16	11	7/8	8	51
100(150)AFE47.5_50Hz	4	28 1/8	16 5/8	5 5/8	14 3/4	14 1/8	10 7/8	28 5/8	32 1/2	7 3/8	265	EB6-240(165)	6	9 7/16	11	7/8	8	51
100(150)AFE47.5_60Hz	4	26 1/8	15 3/8	5 5/8	13 3/8	13 1/8	10 3/4	28 1/8	31 1/8	7	249	EB6-240(165)	6	9 7/16	11	7/8	8	51

C.W.L.:Continuous Running Water Level WT1:Pump Weight(Without Cable)
L.W.L.:Lowest Running Water Level WT2:Elbow Set Weight