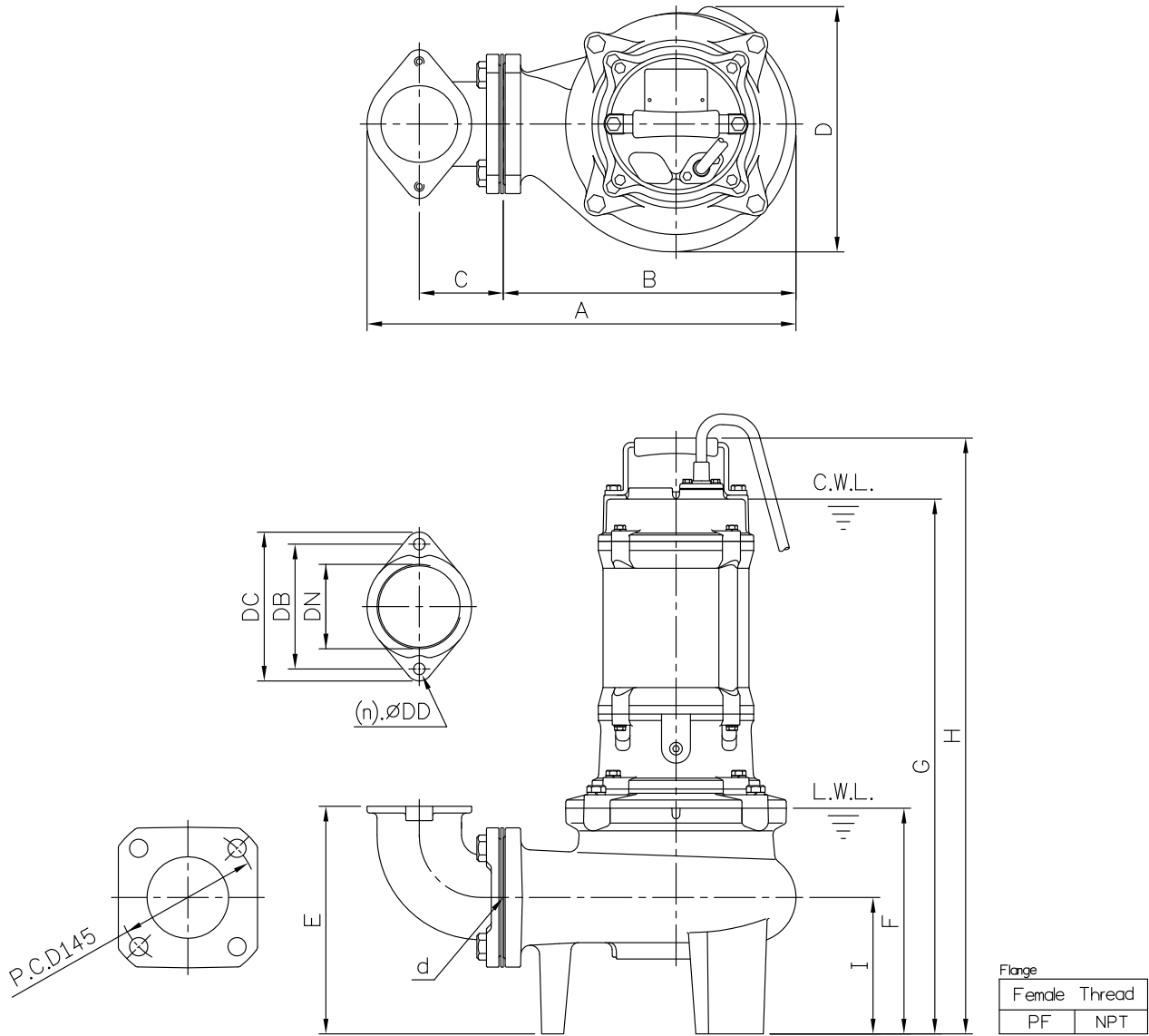


**DIMENSIONS**

**No: S3AFU415030-00**

**MODEL: 80AFU41.5**

**1 Ø & 3 Ø**



Dimensions—mm

Weight:kg

Model	d	A	B	C	D	E	F	G	H	I	WT1	Elbow (Flange) Set	DN	DB	DC	DD	(n)QTY	WT2
80AFU41.5 1Ø	80	447	305	88	255	237	235	635	698	142	47	EB3-130	80	130	155	12	2	5
80AFU41.5 3Ø	80	447	305	88	255	237	235	557	621	142	47	EB3-130	80	130	155	12	2	5

Dimensions—inch

Weight:lb

Model	d	A	B	C	D	E	F	G	H	I	WT1	Elbow (Flange) Set	DN	DB	DC	DD	(n)QTY	WT2
80AFU41.5 1Ø	3	17 <sup>5</sup> / <sub>8</sub>	12	3 <sup>1</sup> / <sub>16</sub>	10 <sup>1</sup> / <sub>16</sub>	9 <sup>5</sup> / <sub>16</sub>	9 <sup>1</sup> / <sub>4</sub>	25	27 <sup>1</sup> / <sub>2</sub>	5 <sup>9</sup> / <sub>16</sub>	104	EB3-130	3	5 <sup>1</sup> / <sub>8</sub>	6 <sup>1</sup> / <sub>8</sub>	1/2	2	11
80AFU41.5 3Ø	3	17 <sup>5</sup> / <sub>8</sub>	12	3 <sup>1</sup> / <sub>16</sub>	10 <sup>1</sup> / <sub>16</sub>	9 <sup>5</sup> / <sub>16</sub>	9 <sup>1</sup> / <sub>4</sub>	21 <sup>1</sup> / <sub>16</sub>	24 <sup>1</sup> / <sub>16</sub>	5 <sup>9</sup> / <sub>16</sub>	104	EB3-130	3	5 <sup>1</sup> / <sub>8</sub>	6 <sup>1</sup> / <sub>8</sub>	1/2	2	11

C.W.L.:Continuous Running Water Level WT1:Pump Weight(Without Cable)  
 L.W.L.:Lowest Running Water Level WT2:Elbow Set Weight