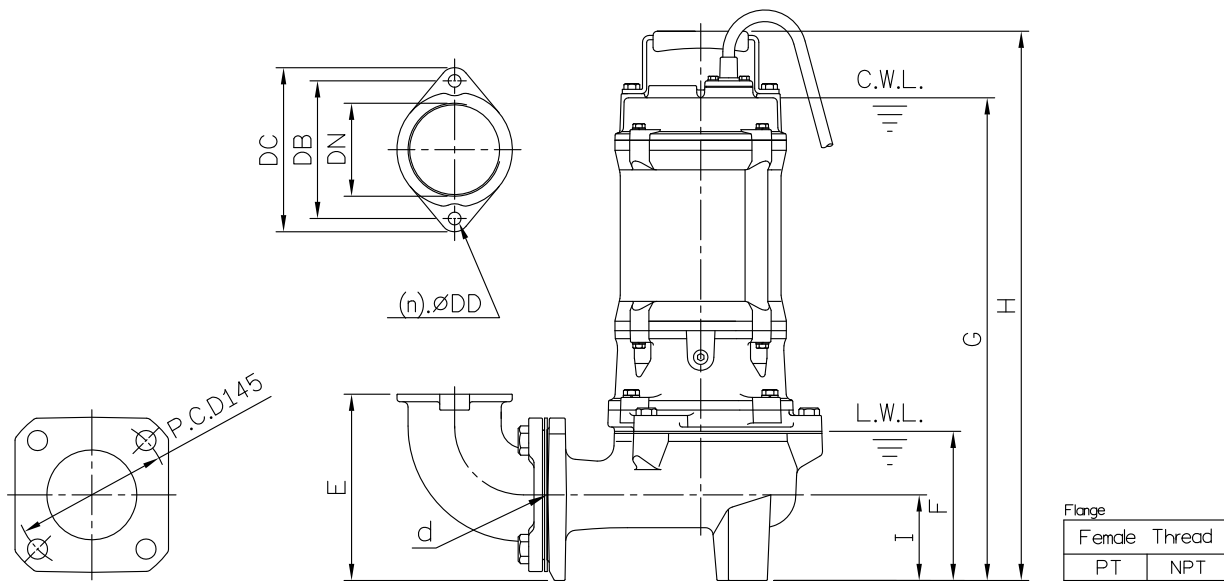
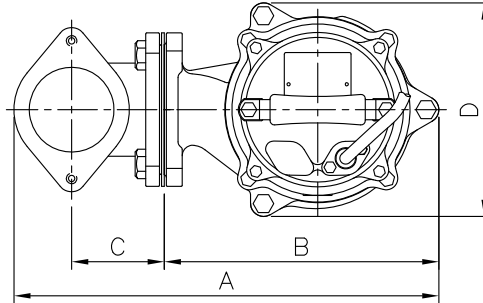


DIMENSIONS

No: S3AFU222030-00

MODEL: 80AFU21.5/22.2 & 80AFU21.5L/22.2L

3Ø



Dimensions—mm

Weight:Kg

Model	d	A	B	C	D	E	F	G	H	I	WT1	Elbow (Flange) Set	DN	DB	DC	DD	(n)QTY	WT2
80AFU21.5	80	397	260	83	202	171	140	456	519	81	32	EB3-130	80	130	155	12	2	5
80AFU22.2	80	397	260	83	202	171	140	456	519	81	34	EB3-130	80	130	155	12	2	5
80AFU21.5L	80	402	265	83	221	210	190	508	571	120	34	EB3-130	80	130	155	12	2	5
80AFU22.2L	80	402	265	83	221	210	190	508	571	120	36	EB3-130	80	130	155	12	2	5

Dimensions—inch

Weight:Lbs

Model	d	A	B	C	D	E	F	G	H	I	WT1	Elbow (Flange) Set	DN	DB	DC	DD	(n)QTY	WT2
80AFU21.5	3	15 ⁵ / ₈	10 ³ / ₄	3 ¹ / ₄	7 ¹⁵ / ₁₆	6 ³ / ₄	5 ¹ / ₂	17 ⁷ / ₁₆	20 ⁷ / ₁₆	3 ³ / ₁₆	71	EB3-130	3	5 ¹ / ₈	6 ¹ / ₈	1/2	2	11
80AFU22.2	3	15 ⁵ / ₈	10 ³ / ₄	3 ¹ / ₄	7 ¹⁵ / ₁₆	6 ³ / ₄	5 ¹ / ₂	17 ⁷ / ₁₆	20 ⁷ / ₁₆	3 ³ / ₁₆	75	EB3-130	3	5 ¹ / ₈	6 ¹ / ₈	1/2	2	11
80AFU21.5L	3	15 ¹³ / ₁₆	10 ⁷ / ₁₆	3 ¹ / ₄	8 ¹¹ / ₁₆	8 ¹ / ₄	7 ¹ / ₂	20	22 ⁷ / ₂	4 ³ / ₄	75	EB3-130	3	5 ¹ / ₈	6 ¹ / ₈	1/2	2	11
80AFU22.2L	3	15 ¹³ / ₁₆	10 ⁷ / ₁₆	3 ¹ / ₄	8 ¹¹ / ₁₆	8 ¹ / ₄	7 ¹ / ₂	20	22 ⁷ / ₂	4 ³ / ₄	79	EB3-130	3	5 ¹ / ₈	6 ¹ / ₈	1/2	2	11

C.W.L.:Continuous Running Water Level WT1:Pump Weight(Without Cable)
 L.W.L.:Lowest Running Water Level WT2:Elbow Set Weight