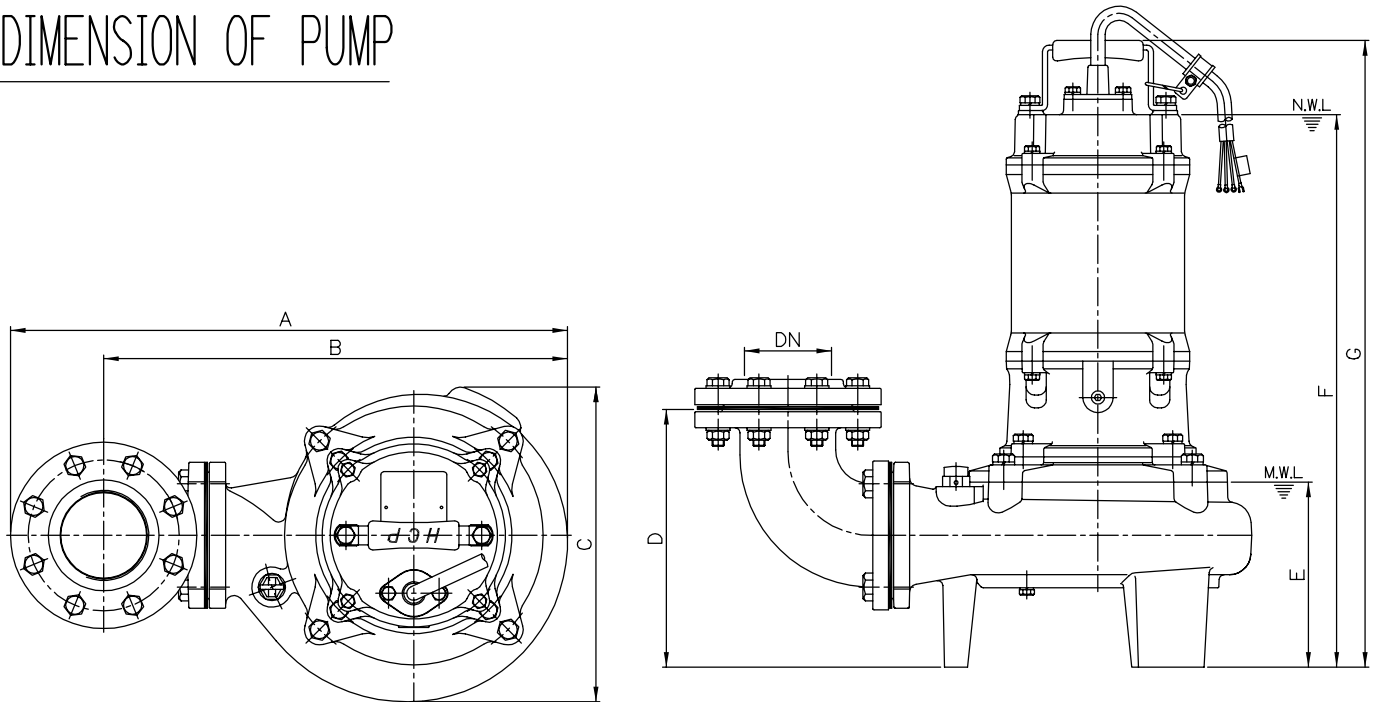


MODEL: 80AFP41.5;80AFP42.2;80(100)AFP43.7

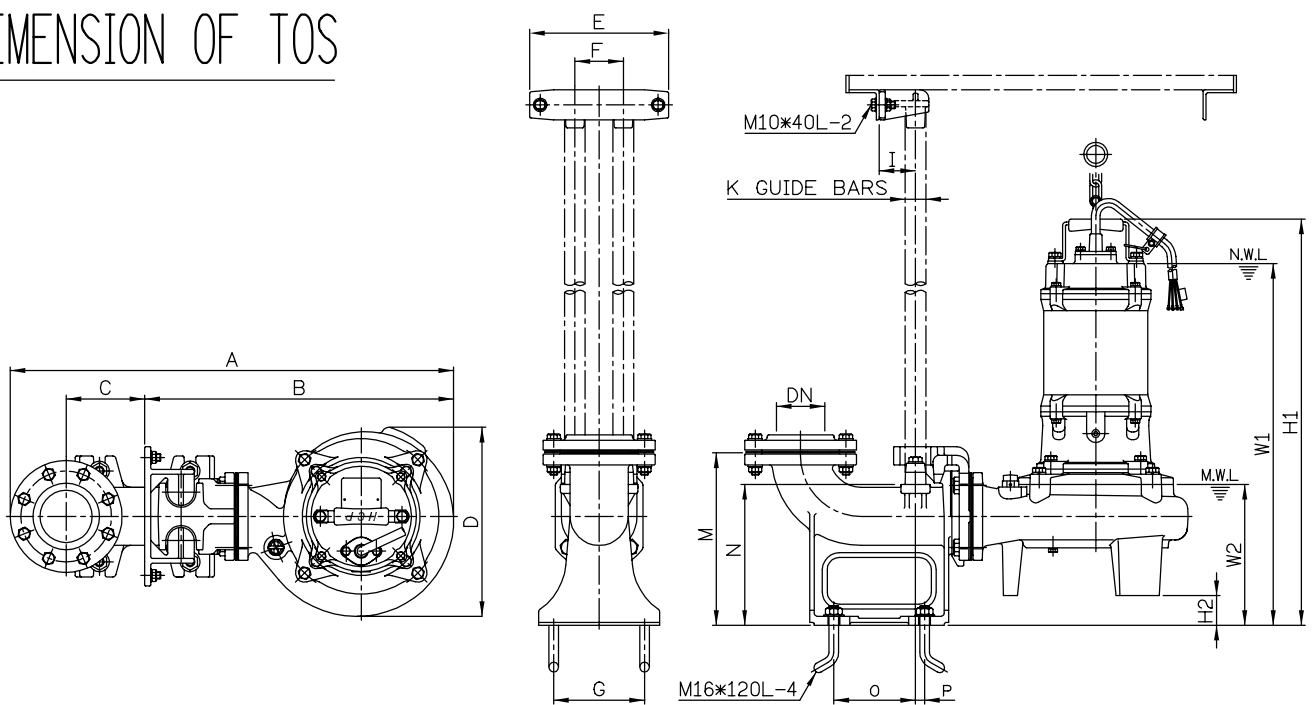
DIMENSION OF PUMP



| Type | DN | A | B | C | D | E | F | G |
|------------|-----|-----|-----|-----|-----|-----|----------|----------|
| 80AFP41.5 | 80 | 530 | 436 | 290 | 256 | 182 | 504(582) | 567(645) |
| 80AFP42.2 | 80 | 553 | 461 | 313 | 256 | 184 | 550(616) | 623(689) |
| 80AFP43.7 | 80 | 553 | 461 | 313 | 256 | 184 | 570 | 643 |
| 100AFP43.7 | 100 | 571 | 466 | 313 | 256 | 184 | 570 | 643 |

Remark: ()Dimensions in 1Ø
 N.W.L: Normal water level
 M.W.L: Minimum water level

DIMENSION OF TOS



| Type | DN | A | B | C | D | E | F | G | I | K | M | N | O | P | W1 | W2 | H1 | H2 |
|------------|-----|-----|-----|-----|-----|-----|----|-----|----|--------|-----|-----|-----|----|----------|-----|----------|----|
| 80AFP41.5 | 80 | 708 | 485 | 130 | 290 | 230 | 80 | 150 | 60 | 1 1/4" | 285 | 233 | 135 | 15 | 553(631) | 231 | 616(694) | 49 |
| 80AFP42.2 | 80 | 734 | 511 | 130 | 313 | 230 | 80 | 150 | 60 | 1 1/4" | 285 | 233 | 135 | 15 | 599(665) | 233 | 672(738) | 49 |
| 80AFP43.7 | 80 | 734 | 511 | 130 | 313 | 230 | 80 | 150 | 60 | 1 1/4" | 285 | 233 | 135 | 15 | 619 | 233 | 692 | 49 |
| 100AFP43.7 | 100 | 781 | 511 | 166 | 313 | 230 | 80 | 170 | 60 | 1 1/4" | 290 | 238 | 155 | 15 | 619 | 233 | 692 | 49 |