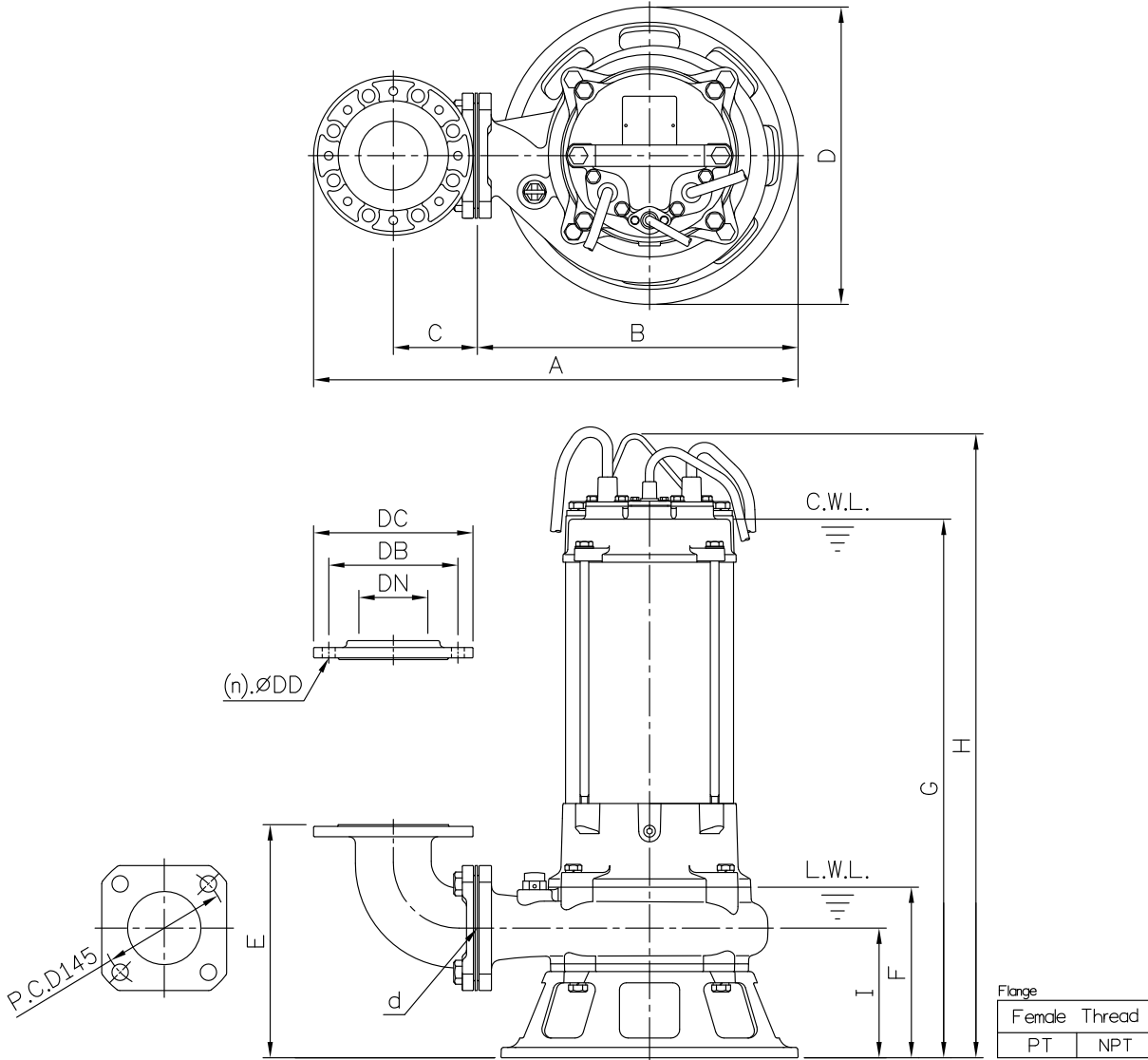


DIMENSIONS

No: S3SFP2A1030-00

MODEL: 80(100)SFP211

3Ø



Dimensions—mm

Weight:Kg

Model	d	A	B	C	D	E	F	G	H	I	WT1 50Hz/60Hz	Elbow (Flange) Set	DN	DB	DC	DD	(n)QTY	WT2
80(100)SFP211	80	563	373	98	345	271	198	625	724	151	82/81	ESB3-150K	80	150	185	15	8	7
80(100)SFP211	80	591	373	113	345	276	198	625	724	151	82/81	ESB4-175(145)K	100	175	210	15	8	10

Dimensions—inch

Weight:Lbs

Model	d	A	B	C	D	E	F	G	H	I	WT1 50Hz/60Hz	Elbow (Flange) Set	DN	DB	DC	DD	(n)QTY	WT2
80(100)SFP211	3	22 ³ / ₁₆	14 ⁴ / ₁₆	3 ⁷ / ₈	13 ³ / ₁₆	10 ¹¹ / ₁₆	7 ⁷ / ₁₆	24 ⁵ / ₈	28 ¹ / ₂	5 ⁵ / ₁₆	181/179	ESB3-150K	3	5 ⁷ / ₁₆	7 ⁵ / ₁₆	9 ¹ / ₁₆	8	16
80(100)SFP211	3	23 ³ / ₄	14 ⁴ / ₁₆	4 ¹ / ₁₆	13 ³ / ₁₆	10 ⁷ / ₈	7 ⁷ / ₁₆	24 ⁵ / ₈	28 ¹ / ₂	5 ⁵ / ₁₆	181/179	ESB4-175(145)K	4	6 ⁷ / ₁₆	8 ³ / ₄	9 ¹ / ₁₆	8	21

C.W.L.:Continuous Running Water Level WT1:Pump Weight(Without Cable)
L.W.L.:Lowest Running Water Level WT2:Elbow Set Weight