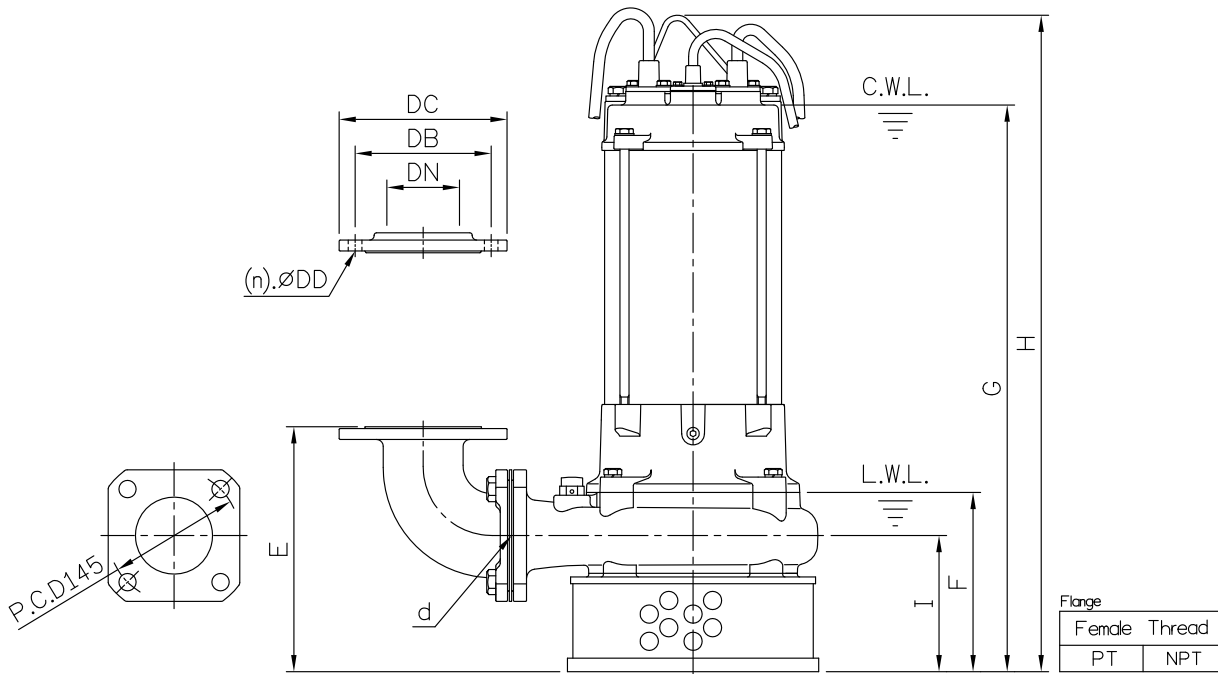
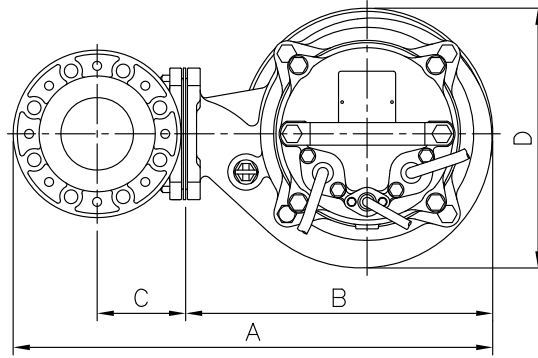


**DIMENSIONS**

**No: S3SA02A1030-00**

**MODEL: 80(100)SA211**

**3Ø**



Dimensions—mm

Weight:Kg

Model	d	A	B	C	D	E	F	G	H	I	WT1 50Hz/60Hz	Elbow (Flange) Set	DN	DB	DC	DD	(n)QTY	WT2
80(100)SA211	80	528	338	98	286	271	198	625	724	151	82/81	ESB3-150K	80	150	185	15	8	7
80(100)SA211	80	556	338	113	286	276	198	625	724	151	82/81	ESB4-175(145)K	100	175	210	15	8	10

Dimensions—inch

Weight:Lbs

Model	d	A	B	C	D	E	F	G	H	I	WT1 50Hz/60Hz	Elbow (Flange) Set	DN	DB	DC	DD	(n)QTY	WT2
80(100)SA211	3	20 <sup>11</sup> / <sub>16</sub>	13 <sup>5</sup> / <sub>16</sub>	3 <sup>7</sup> / <sub>8</sub>	11 <sup>1</sup> / <sub>4</sub>	10 <sup>11</sup> / <sub>16</sub>	7 <sup>7</sup> / <sub>16</sub>	24 <sup>5</sup> / <sub>8</sub>	28 <sup>1</sup> / <sub>2</sub>	5 <sup>5</sup> / <sub>16</sub>	181/179	ESB3-150K	3	5 <sup>5</sup> / <sub>16</sub>	7 <sup>5</sup> / <sub>16</sub>	3 <sup>9</sup> / <sub>16</sub>	8	16
80(100)SA211	3	21 <sup>1</sup> / <sub>8</sub>	13 <sup>5</sup> / <sub>16</sub>	4 <sup>1</sup> / <sub>16</sub>	11 <sup>1</sup> / <sub>4</sub>	10 <sup>7</sup> / <sub>8</sub>	7 <sup>7</sup> / <sub>16</sub>	24 <sup>5</sup> / <sub>8</sub>	28 <sup>1</sup> / <sub>2</sub>	5 <sup>5</sup> / <sub>16</sub>	181/179	ESB4-175(145)K	4	6 <sup>7</sup> / <sub>16</sub>	8 <sup>3</sup> / <sub>4</sub>	3 <sup>9</sup> / <sub>16</sub>	8	21

C.W.L.:Continuous Running Water Level WT1:Pump Weight(Without Cable)  
L.W.L.:Lowest Running Water Level WT2:Elbow Set Weight