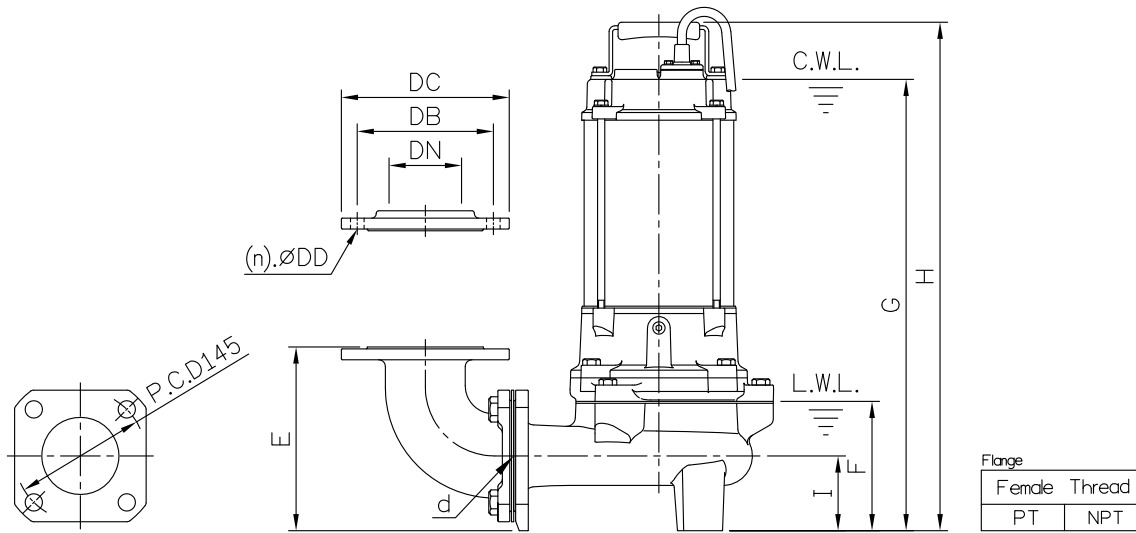
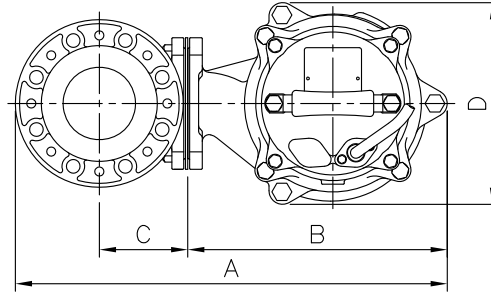


DIMENSIONS

No: S3SFU237030-00

MODEL: 80SFU23.7

3Ø



Dimensions—mm

Weight:Kg

Model	d	A	B	C	D	E	F	G	H	I	WT1	Elbow (Flange) Set	DN	DB	DC	DD	(n)QTY	WT2
80SFU23.7	80	476	286	98	222	203	143	498	561	83	40	ESB3-150K	80	150	185	15	8	7

Dimensions—inch

Weight:Lbs

Model	d	A	B	C	D	E	F	G	H	I	WT1	Elbow (Flange) Set	DN	DB	DC	DD	(n)QTY	WT2
80SFU23.7	3	18¾	11¼	3⅞	8¾	8	5⅝	19⅝	22¼	3¼	88	ESB3-150K	3	5⅞	7⅞	⅝	8	16

C.W.L.:Continuous Running Water Level WT1:Pump Weight(Without Cable)
 L.W.L.:Lowest Running Water Level WT2:Elbow Set Weight