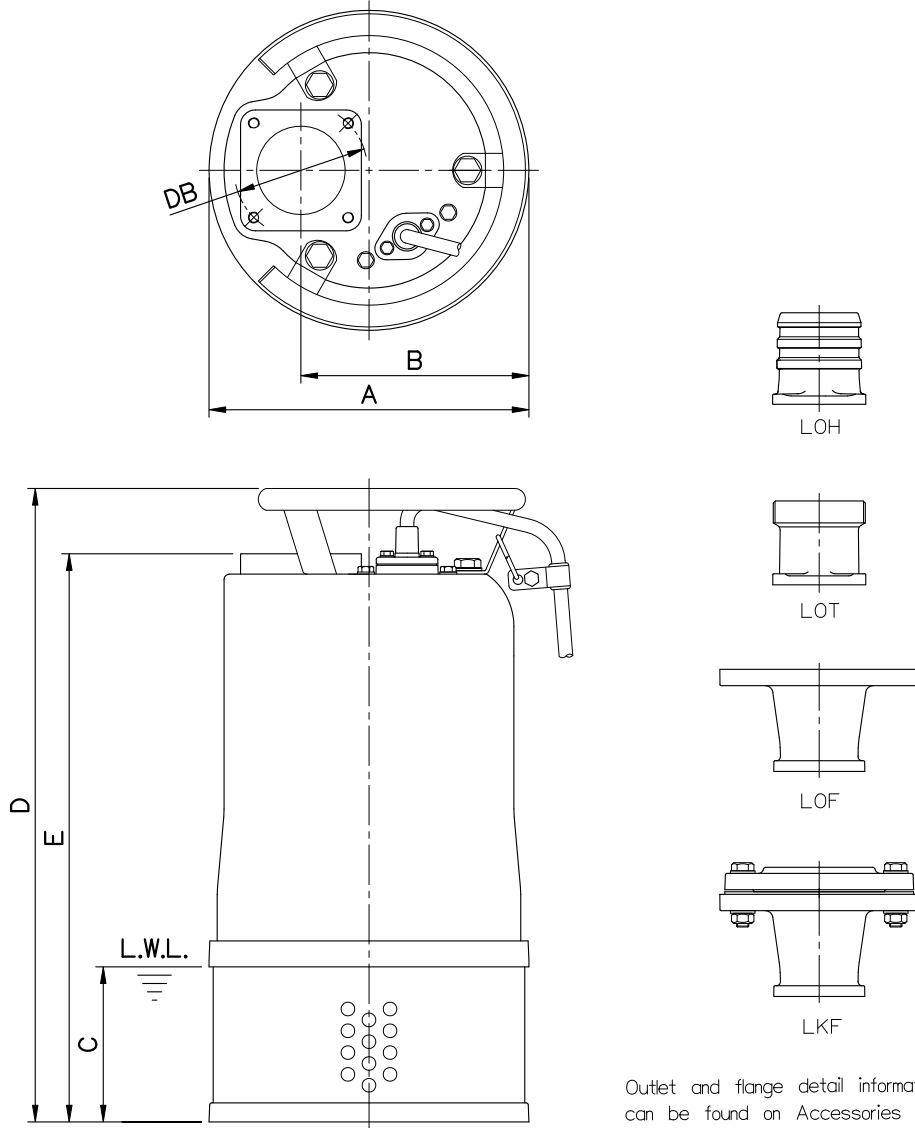


**DIMENSIONS**

**No: S2ASH222030-00**

**MODEL: 50ASH21.5/22.2**

**1Ø & 3Ø**



Outlet and flange detail information can be found on Accessories section.

Dimensions—mm

Weight:kg

Model	A	B	C	D	E	DB	WT1	Optional Outlet Accessories			
								LOH	LOT	LOF	LKF
50ASH21.5 1Ø	235	168	115	511	465	98	40	LOH2-98	LOT2-98	LOF2-120-125*98	LKF2-120*98
50ASH21.5 3Ø	235	168	115	466	421	98	36	LOH2-98	LOT2-98	LOF2-120-125*98	LKF2-120*98
50ASH22.2 1Ø	235	168	115	541	496	98	44	LOH2-98	LOT2-98	LOF2-120-125*98	LKF2-120*98
50ASH22.2 3Ø	235	168	115	466	421	98	39	LOH2-98	LOT2-98	LOF2-120-125*98	LKF2-120*98

Dimensions—inch

Weight:lb

Model	A	B	C	D	E	DB	WT1	Optional Outlet Accessories			
								LOH	LOT	LOF	LKF
50ASH21.5 1Ø	9 3/4	6 5/8	4 1/2	20 1/8	18 5/16	3 7/8	88	LOH2-98	LOT2-98	LOF2-120-125*98	LKF2-120*98
50ASH21.5 3Ø	9 3/4	6 5/8	4 1/2	18 3/8	16 3/16	3 7/8	79	LOH2-98	LOT2-98	LOF2-120-125*98	LKF2-120*98
50ASH22.2 1Ø	9 3/4	6 5/8	4 1/2	21 1/16	19 1/2	3 7/8	97	LOH2-98	LOT2-98	LOF2-120-125*98	LKF2-120*98
50ASH22.2 3Ø	9 3/4	6 5/8	4 1/2	18 3/8	16 3/16	3 7/8	86	LOH2-98	LOT2-98	LOF2-120-125*98	LKF2-120*98

L.W.L.:Lowest Running Water Level

WT1:Pump Weight(Without Cable)