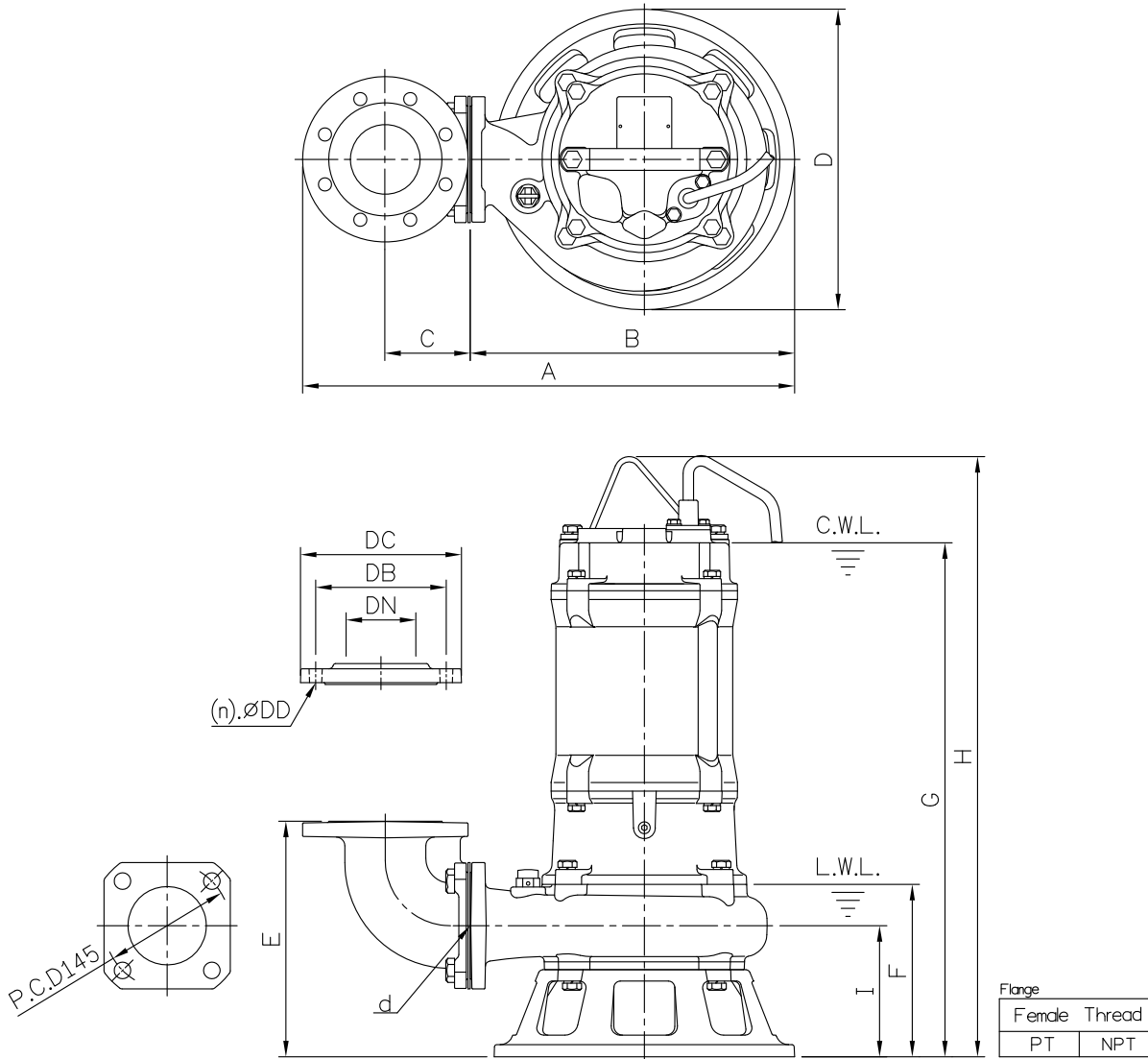


DIMENSIONS

No: S3AFP275030-00

MODEL: 80(100)AFP25.5 & 80(100)AFP27.5

3Ø



Dimensions—mm

Weight:Kg

Model	d	A	B	C	D	E	F	G	H	I	WT1 50Hz/60Hz	Elbow (Flange) Set	DN	DB	DC	DD	(n)QTY	WT2
80(100)AFP25.5	80	565	373	98	345	271	198	590	689	151	75/74	EB3-150A	80	150	185	15	8	12
80(100)AFP27.5	80	565	373	98	345	271	198	590	689	151	81/80	EB3-150A	80	150	185	15	8	12
80(100)AFP25.5	80	596	373	113	345	282	198	590	689	151	75/74	EB4-175(145)	100	175	210	15	8	14
80(100)AFP27.5	80	596	373	113	345	282	198	590	689	151	81/80	EB4-175(145)	100	175	210	15	8	14

Dimensions—inch

Weight:Lbs

Model	d	A	B	C	D	E	F	G	H	I	WT1 50Hz/60Hz	Elbow (Flange) Set	DN	DB	DC	DD	(n)QTY	WT2
80(100)AFP25.5	3	22 ³ / ₄	14 ¹ / ₈	3 ⁷ / ₈	13 ³ / ₁₆	10 ¹ / ₁₆	7 ³ / ₈	23 ³ / ₄	27 ⁷ / ₈	5 ⁵ / ₁₆	165/163	EB3-150A	3	5 ⁵ / ₈	7 ⁵ / ₁₆	9 ¹ / ₁₆	8	26
80(100)AFP27.5	3	22 ³ / ₄	14 ¹ / ₈	3 ⁷ / ₈	13 ³ / ₁₆	10 ¹ / ₁₆	7 ³ / ₈	23 ³ / ₄	27 ⁷ / ₈	5 ⁵ / ₁₆	178/176	EB3-150A	3	5 ⁵ / ₈	7 ⁵ / ₁₆	9 ¹ / ₁₆	8	26
80(100)AFP25.5	3	23 ⁷ / ₁₆	14 ¹ / ₈	4 ¹ / ₁₆	13 ³ / ₁₆	11 ¹ / ₈	7 ³ / ₈	23 ³ / ₄	27 ⁷ / ₈	5 ⁵ / ₁₆	165/163	EB4-175(145)	4	6 ⁷ / ₈	8 ³ / ₄	9 ¹ / ₁₆	8	30
80(100)AFP27.5	3	23 ⁷ / ₁₆	14 ¹ / ₈	4 ¹ / ₁₆	13 ³ / ₁₆	11 ¹ / ₈	7 ³ / ₈	23 ³ / ₄	27 ⁷ / ₈	5 ⁵ / ₁₆	178/176	EB4-175(145)	4	6 ⁷ / ₈	8 ³ / ₄	9 ¹ / ₁₆	8	30

C.W.L.:Continuous Running Water Level WT1:Pump Weight(Without Cable)
L.W.L.:Lowest Running Water Level WT2:Elbow Set Weight