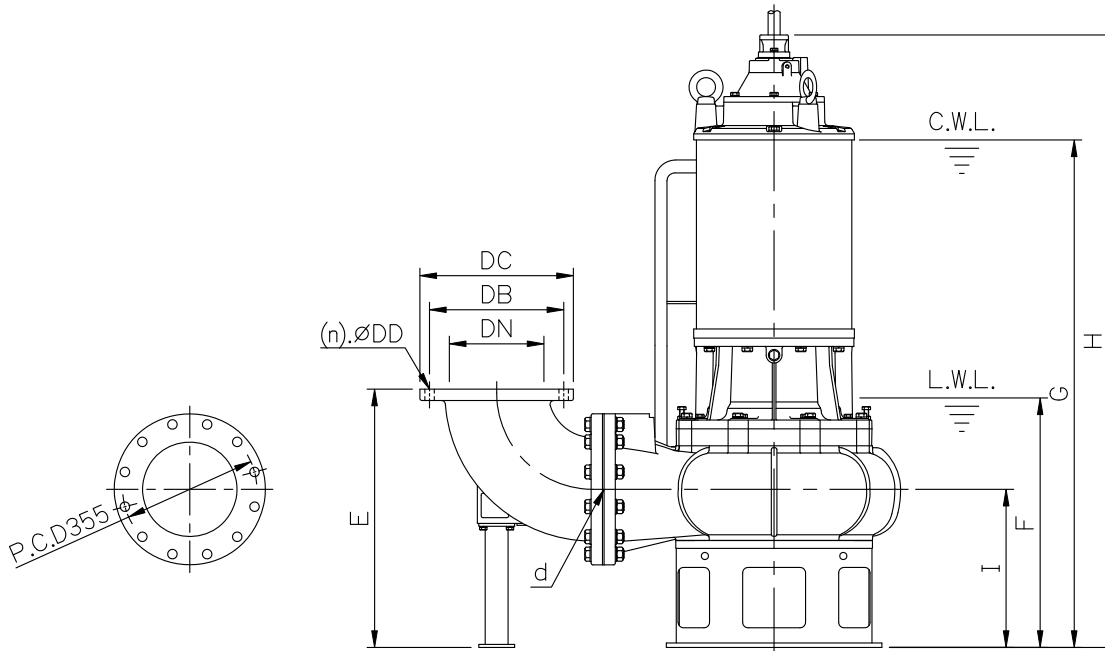
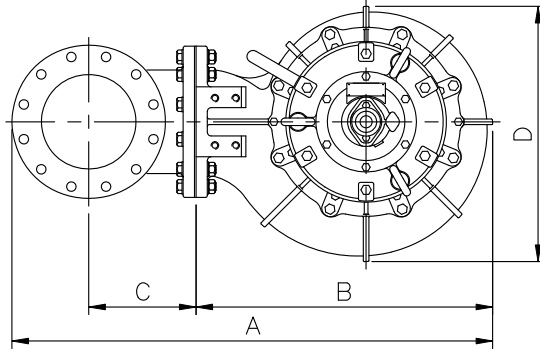


DIMENSIONS

No: SJAF04C7030-00

MODEL: AF-1030S/1040/1050

3Ø



Dimensions—mm

Weight:kg

Model	d	A	B	C	D	E	F	G	H	I	WT1 50Hz/60Hz	Elbow (Flange) Set	DN	DB	DC	DD	(n)QTY	WT2
AF-1030S	250	1273	786	284	676	684	660	1342	1621	419	710/705	EB10-355	250	355	406	25	12	79
AF-1040	250	1273	786	284	676	684	660	1342	1621	419	681/676	EB10-355	250	355	406	25	12	79
AF-1050	250	1273	786	284	676	684	660	1342	1621	419	691/686	EB10-355	250	355	406	25	12	79

Dimensions—inch

Weight:lb

Model	d	A	B	C	D	E	F	G	H	I	WT1 50Hz/60Hz	Elbow (Flange) Set	DN	DB	DC	DD	(n)QTY	WT2
AF-1030S	10	50 ³ / ₈	30 ⁵ / ₁₆	11 ³ / ₁₆	26 ⁵ / ₁₆	26 ¹⁵ / ₁₆	26	52 ³ / ₁₆	63 ³ / ₁₆	16 ¹ / ₂	1565/1554	EB10-355	10	14	16	1	12	174
AF-1040	10	50 ³ / ₈	30 ⁵ / ₁₆	11 ³ / ₁₆	26 ⁵ / ₁₆	26 ¹⁵ / ₁₆	26	52 ³ / ₁₆	63 ³ / ₁₆	16 ¹ / ₂	1501/1490	EB10-355	10	14	16	1	12	174
AF-1050	10	50 ³ / ₈	30 ⁵ / ₁₆	11 ³ / ₁₆	26 ⁵ / ₁₆	26 ¹⁵ / ₁₆	26	52 ³ / ₁₆	63 ³ / ₁₆	16 ¹ / ₂	1523/1512	EB10-355	10	14	16	1	12	174

C.W.L.:Continuous Running Water Level WT1:Pump Weight(Without Cable)
L.W.L.:Lowest Running Water Level WT2:Elbow Set Weight