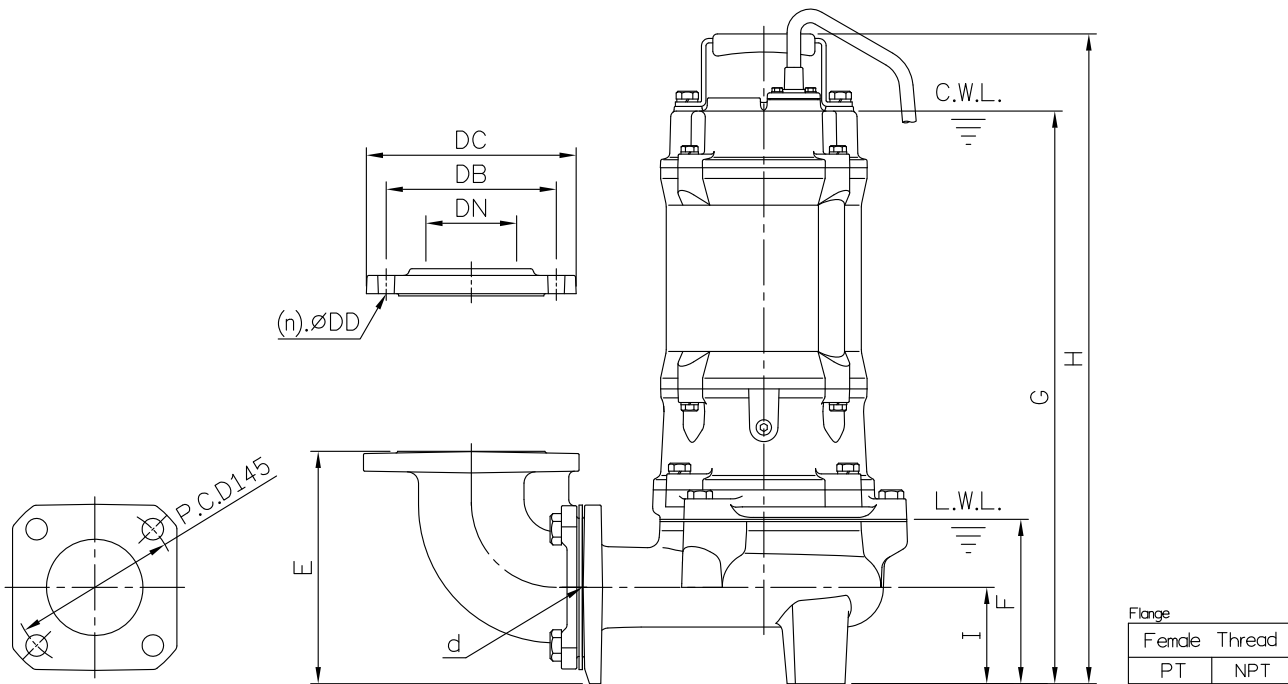
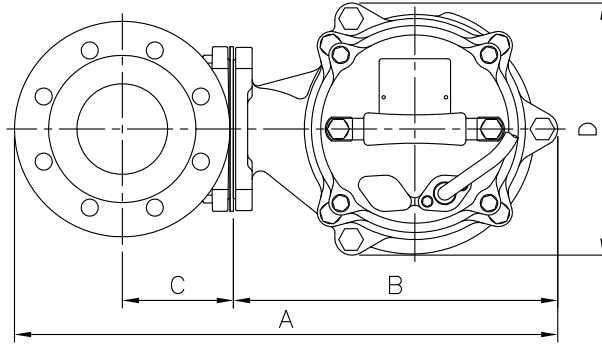


DIMENSIONS

No: S3AFU237A30-00

MODEL: 80AFU23.7A & 80AFU23.7LA

3Ø



Dimensions—mm

Weight:Kg

Model	d	A	B	C	D	E	F	G	H	I	WT1 50Hz/60Hz	Elbow (Flange) Set	DN	DB	DC	DD	(n)QTY	WT2
80AFU23.7A	80	481	286	103	222	210	145	505	573	85	46/45	EB3-150A	80	150	185	15	8	12
80AFU23.7LA	80	481	286	103	235	246	197	557	625	121	48	EB3-150A	80	150	185	15	8	12

Dimensions—inch

Weight:Lbs

Model	d	A	B	C	D	E	F	G	H	I	WT1 50Hz/60Hz	Elbow (Flange) Set	DN	DB	DC	DD	(n)QTY	WT2
80AFU23.7A	3	18 ¹⁵ / ₁₆	11 ¹ / ₄	4 ¹ / ₁₆	8 ³ / ₄	8 ¹ / ₄	5 ¹ / ₁₆	19 ⁷ / ₈	22 ³ / ₁₆	3 ³ / ₈	101/99	EB3-150A	3	5 ⁷ / ₈	7 ⁵ / ₁₆	9 ⁹ / ₁₆	8	26
80AFU23.7LA	3	18 ⁵ / ₁₆	11 ¹ / ₄	4 ¹ / ₁₆	9 ¹ / ₄	9 ¹ / ₁₆	7 ³ / ₄	21 ¹ / ₁₆	24 ³ / ₈	4 ³ / ₄	106	EB3-150A	3	5 ⁷ / ₈	7 ⁵ / ₁₆	9 ⁹ / ₁₆	8	26

C.W.L.:Continuous Running Water Level WT1:Pump Weight(Without Cable)
L.W.L.:Lowest Running Water Level WT2:Elbow Set Weight