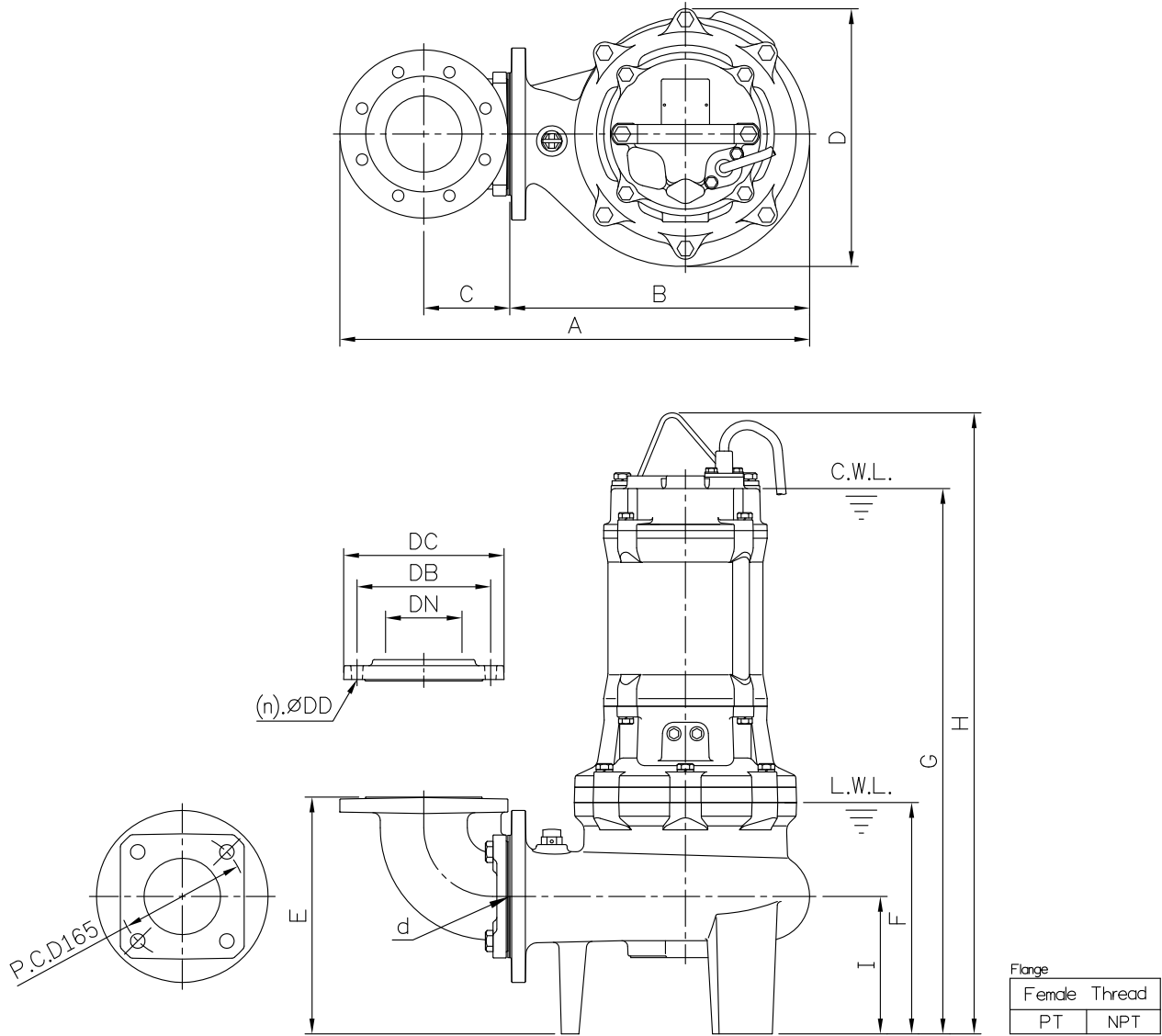


DIMENSIONS

No: S4AFU475030-00

MODEL: 100AFU45.5 & 100AFU47.5

3Ø



Dimensions—mm

Weight:kg

Model	d	A	B	C	D	E	F	G	H	I	WT1 50Hz/60Hz	Elbow (Flange) Set	DN	DB	DC	DD	(n)QTY	WT2
100AFU45.5	100	615	393	113	337	310	303	714	813	180	96/95	EB4-175A	100	175	210	15	8	13
100AFU47.5	100	615	393	113	337	310	303	754	853	180	105/104	EB4-175A	100	175	210	15	8	13

Dimensions—inch

Weight:lb

Model	d	A	B	C	D	E	F	G	H	I	WT1 50Hz/60Hz	Elbow (Flange) Set	DN	DB	DC	DD	(n)QTY	WT2
100AFU45.5	4	24 ³ / ₁₆ 15 ¹ / ₈	4 ⁷ / ₁₆ 13 ³ / ₄	12 ³ / ₁₆ 11 ¹¹ / ₁₆	28 ⁷ / ₈ 32	7 ¹ / ₁₆ 212/209	EB4-175A	4	6 ³ / ₄ 8 ³ / ₄	9 ¹ / ₁₆	8	29						
100AFU47.5	4	24 ³ / ₁₆ 15 ¹ / ₈	4 ⁷ / ₁₆ 13 ³ / ₄	12 ³ / ₁₆ 11 ¹¹ / ₁₆	29 ¹ / ₁₆ 33 ⁹ / ₁₆	7 ¹ / ₁₆ 231/227	EB4-175A	4	6 ³ / ₄ 8 ³ / ₄	9 ¹ / ₁₆	8	29						

C.W.L.:Continuous Running Water Level WT1:Pump Weight(Without Cable)
L.W.L.:Lowest Running Water Level WT2:Elbow Set Weight