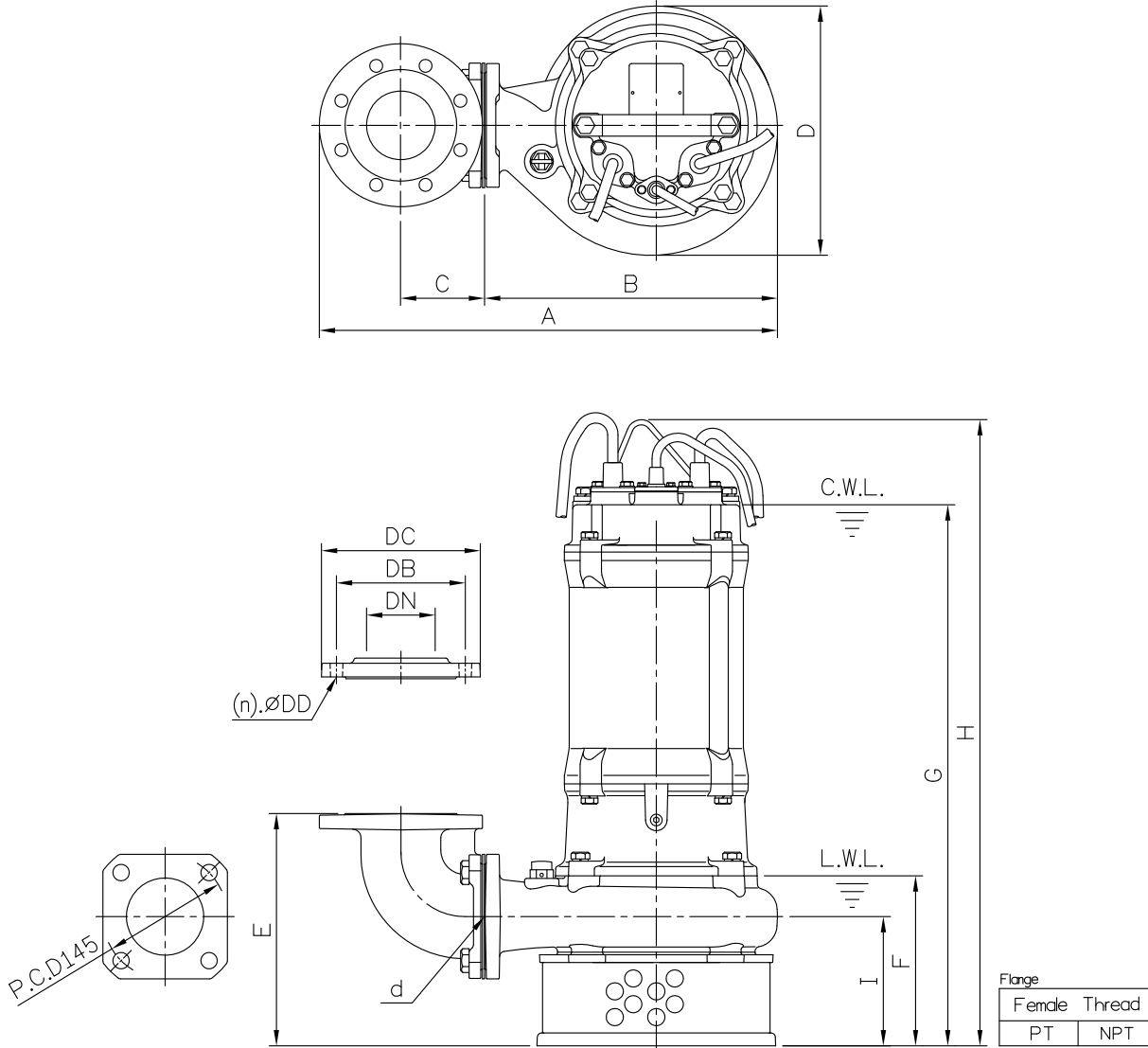


DIMENSIONS

No: S3AL02A1030-00

MODEL: 80(100)AL211

3Ø



Dimensions—mm

Weight:Kg

| Model | d | A | B | C | D | E | F | G | H | I | WT1 50Hz/60Hz | Elbow (Flange) Set | DN | DB | DC | DD | (n)QTY | WT2 |
|--------------|----|-----|-----|-----|-----|-----|-----|-----|-----|-----|------------------|-----------------------|-----|-----|-----|----|--------|-----|
| 80(100)AL211 | 80 | 534 | 342 | 98 | 290 | 271 | 198 | 630 | 729 | 151 | 91/90 | EB3-150A | 80 | 150 | 185 | 15 | 8 | 12 |
| 80(100)AL211 | 80 | 565 | 342 | 113 | 290 | 282 | 198 | 630 | 729 | 151 | 91/90 | EB4-175(145) | 100 | 175 | 210 | 15 | 8 | 14 |

Dimensions—inch

Weight:Lbs

| Model | d | A | B | C | D | E | F | G | H | I | WT1 50Hz/60Hz | Elbow (Flange) Set | DN | DB | DC | DD | (n)QTY | WT2 |
|--------------|---|--------------------------------|--------------------------------|-------------------------------|--------------------------------|--------------------------------|-------------------------------|--------------------------------|--------------------------------|-------------------------------|------------------|-----------------------|----|-------------------------------|-------------------------------|-------------------------------|--------|-----|
| 80(100)AL211 | 3 | 21 | 13 ³ / ₈ | 3 ⁷ / ₈ | 11 ¹ / ₈ | 10 ¹ / ₈ | 7 ³ / ₈ | 24 ¹ / ₈ | 28 ¹ / ₈ | 5 ⁵ / ₈ | 201/198 | EB3-150A | 3 | 5 ⁷ / ₈ | 7 ⁵ / ₈ | 9 ¹ / ₈ | 8 | 26 |
| 80(100)AL211 | 3 | 22 ³ / ₄ | 13 ³ / ₈ | 4 ¹ / ₈ | 11 ¹ / ₈ | 11 ¹ / ₈ | 7 ³ / ₈ | 24 ¹ / ₈ | 28 ¹ / ₈ | 5 ⁵ / ₈ | 201/198 | EB4-175(145) | 4 | 6 ⁷ / ₈ | 8 ¹ / ₄ | 9 ¹ / ₈ | 8 | 30 |

C.W.L.:Continuous Running Water Level WT1:Pump Weight(Without Cable)
L.W.L.:Lowest Running Water Level WT2:Elbow Set Weight