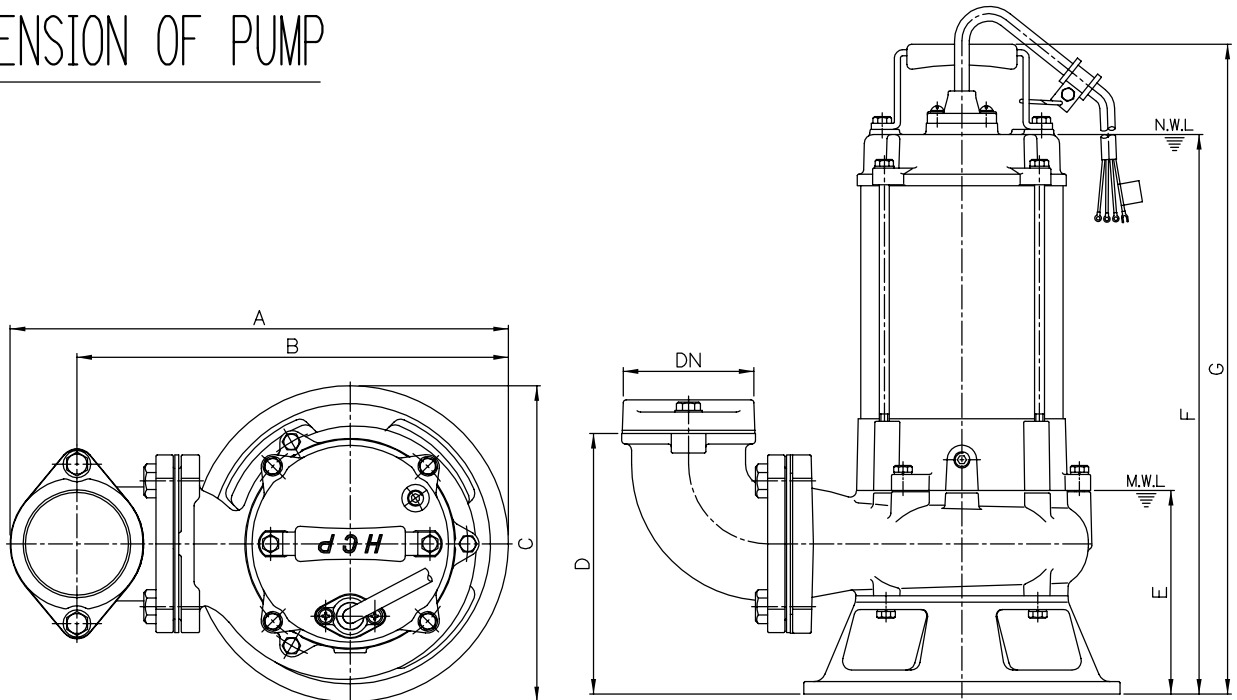


MODEL: F-32T;F-33

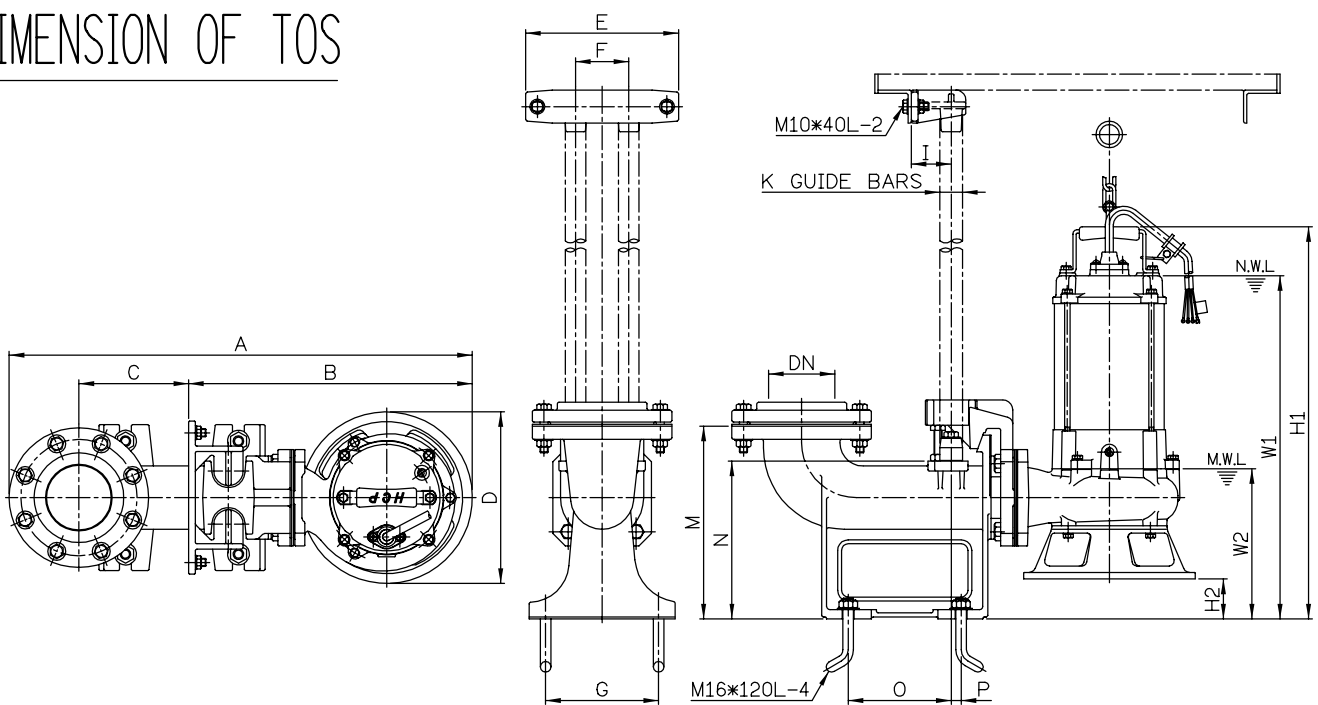
DIMENSION OF PUMP



Type	DN	A	B	C	D	E	F	G
F-32T	80	408	352	258	215	166	458(535)	530(610)
F-33	80	408	352	258	215	166	458(535)	530(610)

Remark: ()Dimensions in 1Ø
 N.W.L: Normal water level
 M.W.L: Minimum water level

DIMENSION OF TOS



Type	DN	A	B	C	D	E	F	G	I	K	M	N	O	P	W1	W2	H1	H2
F-32T	80	645	422	130	258	230	80	150	60	1 1/4	285	233	135	15	510(587)	219	583(663)	58
F-33	80	645	422	130	258	230	80	150	60	1 1/4	285	233	135	15	510(587)	219	583(663)	58